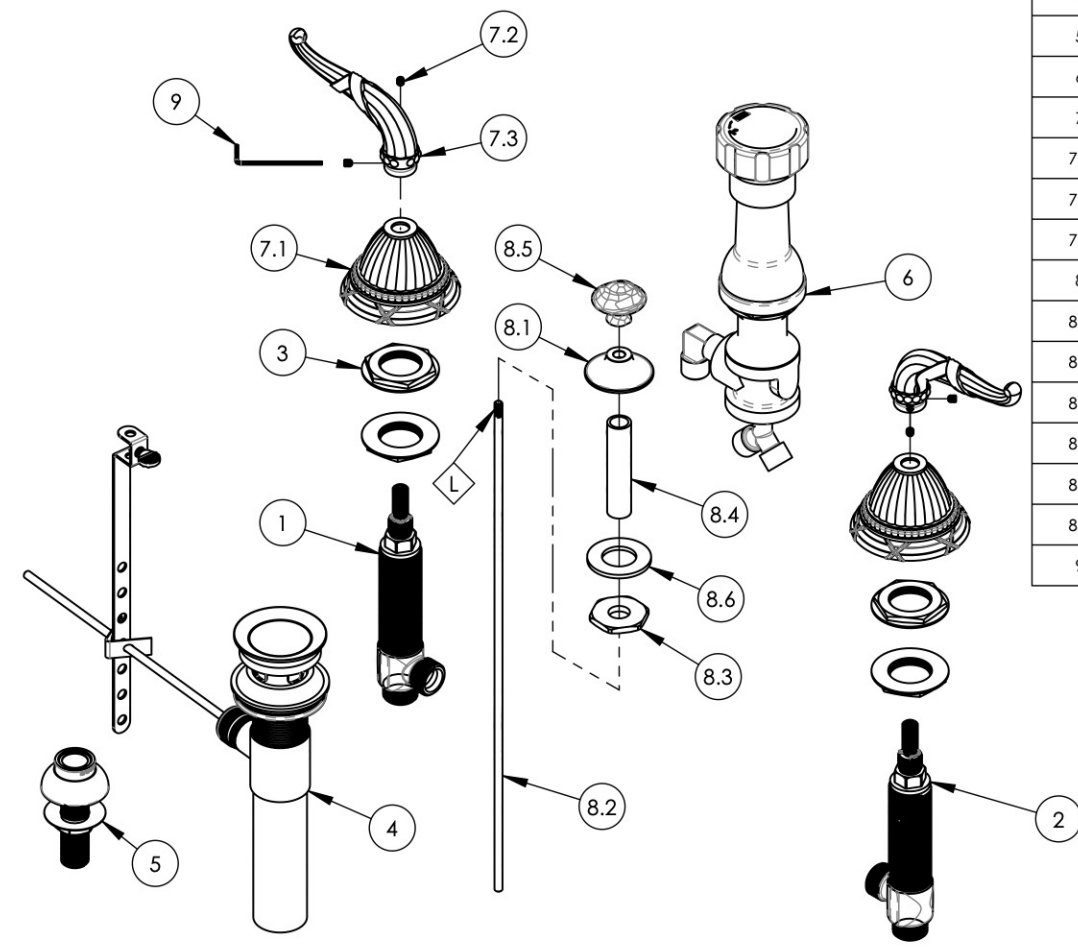


NOTE(S):  
 1. APPLY NSF COMPLIANT LOCTITE TO THREADED AREA. 



ITEM NO.	PART NUMBER	DESCRIPTION	QTY.
1	1-149	WIDESPREAD VALVE LAV 16PT, HOT, ONLY	1
2	1-150	WIDESPREAD VALVE LAV 16PT, COLD, ONLY	1
3	2-203	MOUNTING NUT KIT, WIDESPREAD LAV	4
4	3-046/00	POP-UP DRAIN ASSEMBLY (2-101, 2-102, & 2-246)	1
5	3-085/00	ASSY, BIDET SPRAYER	1
6	3-160/00	BIDET DIVERTER, COMPLETE	1
7	3-274/00	STRAIGHT LEVER HANDLE, RIBBON & REED	2
7.1	P02007/00	K137 COVER PLATE COMPLETE	1
7.2	92008	SET SCREW, CUP POINT 8-32, 3/16" L.	2
7.3	2-152/00	SUB ASSY. HANDLE RIBBON & REED	1
8	3-483/00	ASSY. BIDET POP-UP ROD, RIBBON & REED	1
8.1	P09007/00	K4160 POP UP GUIDE	1
8.2	10719/00	POP-UP ROD, 10-24, 14" LONG	1
8.3	P09006	SPECIAL HEX F/BIDET SPRAYER	1
8.4	P32010	9/16-20 x 56 NIPPLE FOR COMPRESSION STEM	1
8.5	P04003/00	K137 POP UP KNOB	1
8.6	P35026	3/4" SAE FLAT WASHER	1
9	P39001	HEX KEY 5/64, FOR 8-32 SET SCREW	1

ZONE	REV.	DESCRIPTION	DATE	APPROVED
REVISIONS				

1261 LOGAN AVENUE  
 COSTA MESA, CALIFORNIA 92626  
 PHONE: 714.361.4800  
 FAX: 714.617.3120

**PHYLIRICH**<sup>®</sup>  
 Defining Luxury Since 1959

**PROPRIETARY AND CONFIDENTIAL**  
 THE INFORMATION CONTAINED IN THIS DRAWING IS THE SOLE PROPERTY OF PHYLIRICH. ANY REPRODUCTION IN PART OR AS A WHOLE WITHOUT THE WRITTEN PERMISSION OF PHYLIRICH IS PROHIBITED.

-		INTERPRET GEOMETRIC DIMENSIONING & TOLERANCING IN ACCORDANCE WITH ASME Y14.5-2009 & ASME Y14.41-2003 STANDARDS, UNLESS OTHERWISE SPECIFIED. DIMENSIONS ARE IN INCHES. TOLERANCES ARE:		
-		-		
-		-		
NEXT ASSY	USED ON	FRACTIONS ±1/16"	DECIMALS X.X: ±.1 X.XX: ±.01 X.XXX: ±.005	ANGULAR ±2°
APPLICATION				
MATERIAL		NAME	DATE	
FINISH		DRAWN	AMM	7/8/2020
<b>DO NOT SCALE DRAWING</b>				
CHECKED	GRE			

**FOUR HOLE BIDET SET, RIBBON & REED**

SIZE	ASM/PRT NO.	REV
<b>A</b>	K413700	-
SCALE: 1:4.5	WEIGHT: lbs.	SHEET 1 OF 2