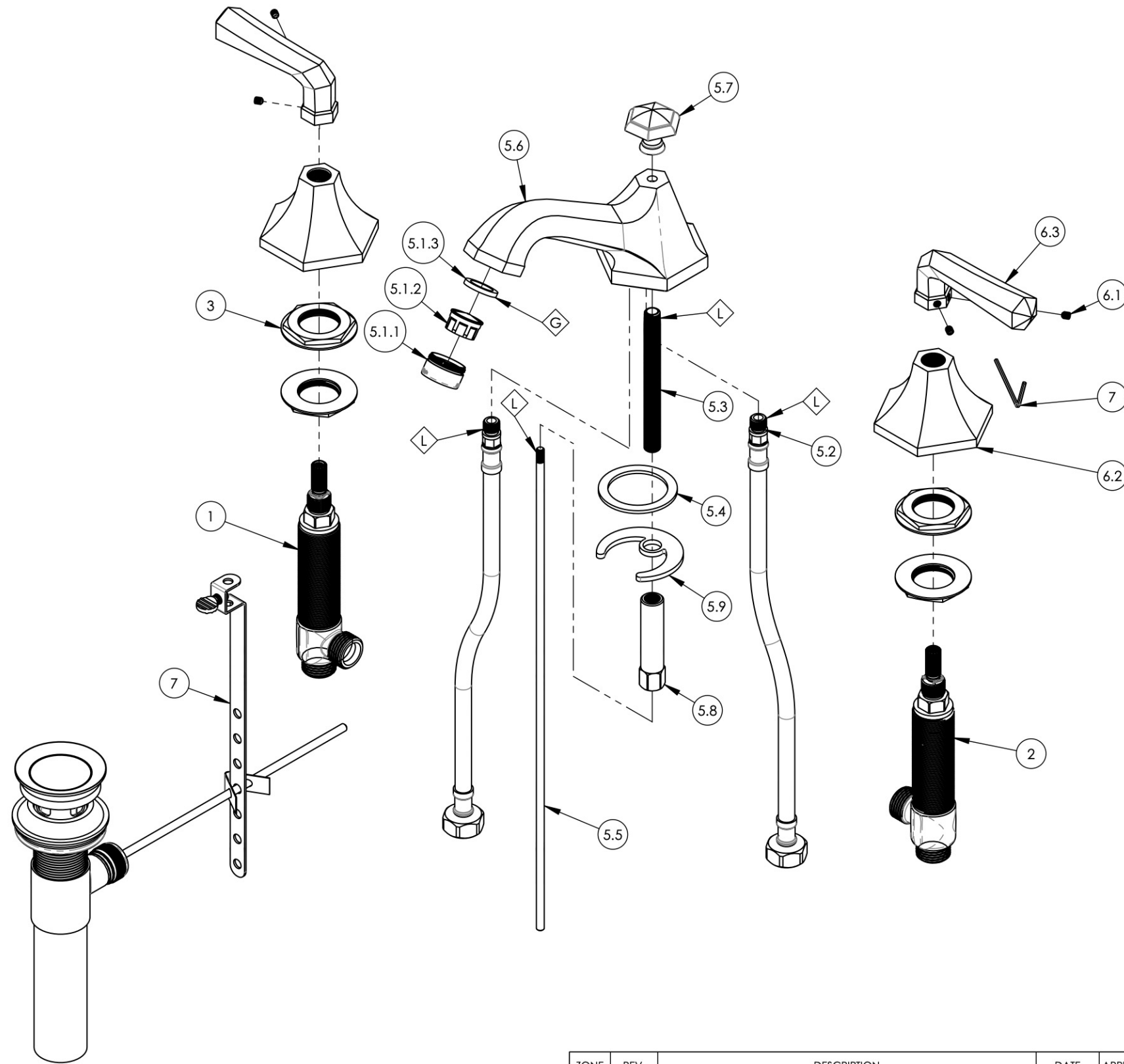


- NOTE(S):  
 1. PART NUMBER, "/00" DENOTES PART SHALL HAVE FINISH.  
 2. APPLY NSF COMPLIANT GREASE TO ANY O-RING, SEALING JOINTS, AND/OR PIVOTAL POINTS.  
 3. APPLY NSF COMPLIANT LOCTITE TO THREADED AREA.



ITEM NO.	PART NUMBER	DESCRIPTION	QTY.
1	1-149	WIDESPREAD VALVE LAV 16PT, HOT, ONLY	1
2	1-150	WIDESPREAD VALVE LAV 16PT, COLD, ONLY	1
3	2-203	MOUNTING NUT KIT, WIDESPREAD LAV	4
7	3-046/00	POP-UP DRAIN ASSEMBLY (2-101, 2-102, & 2-246)	1
5	3-238/00	SPOUT ONLY, WIDESPREAD LAV, LE VERRE & LA CROSSE	1
5.1	3-059/00	AERATOR, 15/16" MALE HOUSING	1
5.1.1	30032/00	AERATOR HOUSING 15/16" MALE HOUSING	1
5.1.2	11426	AERATOR DROP-IN INSERT 1.2 GPM, NEOPERL # 40.2060.00000	1
5.1.3	30030	RUBBER SEAL WASHER AERATOR, NEOPERL PRT # BW.7110.1	1
5.2	10720	HOSE, M10 TO 1/2NPSM	2
5.3	10182	NIPPLE, SHANK 1/8"-27NPSM X 4"L	1
5.4	P34005	GASKET FOR TEE LESS.	1
5.5	10719/00	POP-UP ROD, 10-24, 14" LONG	1
5.6	P03016/00	SPOUT, HEX LA VERRE / LE CROSSE	1
5.7	P04005/00	POP-UP KNOB FOR K170/K171	1
5.8	P34004	2" EXTENSION NUT F/TEE LEES SPOUT	1
5.9	P34002	C-WASHER FOR TEE LESS SPOUT	1
6	3-239/00	LEVER HANDLE, LE VERRE & LA CROSSE	2
6.1	92008	SET SCREW, CUP POINT 8-32, 3/16" L.	2
6.2	P02020/00	ESCUTCHEON, COVER PLATE K170&K171	1
6.3	P01024/00	K170 HANDLE	1
7	P39001	HEX KEY 5/64, FOR 8-32 SET SCREW	1

ZONE	REV.	DESCRIPTION	DATE	APPROVED
REVISIONS				
1261 LOGAN AVENUE COSTA MESA, CALIFORNIA 92626 PHONE: 714.361.4800 FAX: 714.617.3120				
<b>PROPRIETARY AND CONFIDENTIAL</b> THE INFORMATION CONTAINED IN THIS DRAWING IS THE SOLE PROPERTY OF PHYLIRICH. ANY REPRODUCTION IN PART OR AS A WHOLE WITHOUT THE WRITTEN PERMISSION OF PHYLIRICH IS PROHIBITED.				

NEXT ASSY		USED ON		INTERPRET GEOMETRIC DIMENSIONING & TOLERANCING IN ACCORDANCE WITH ASME Y14.5-2009 & ASME Y14.41-2003 STANDARDS. UNLESS OTHERWISE SPECIFIED, DIMENSIONS ARE IN INCHES. TOLERANCES ARE: FRACTIONS ±1/16" DECIMALS X.X: ±.1 X.XX: ±.01 X.XXX: ±.005 ANGULAR ±2°	
APPLICATION		MATERIAL		<b>WIDESPREAD FAUCET, LEVER HANDLES, LOW SPOUT, LA VERRE &amp; LA CROSSE</b>	
FINISH		DO NOT SCALE DRAWING		SIZE <b>B</b> ASM/PRT NO. <b>K170/00</b> REV	
DRAWN		CHECKED		NAME <b>AMM</b> DATE <b>6/12/2020</b> NAME <b>AMM</b> DATE <b>6/12/2020</b>	
SCALE: 1:3		WEIGHT: lbs.		SHEET 1 OF 2	