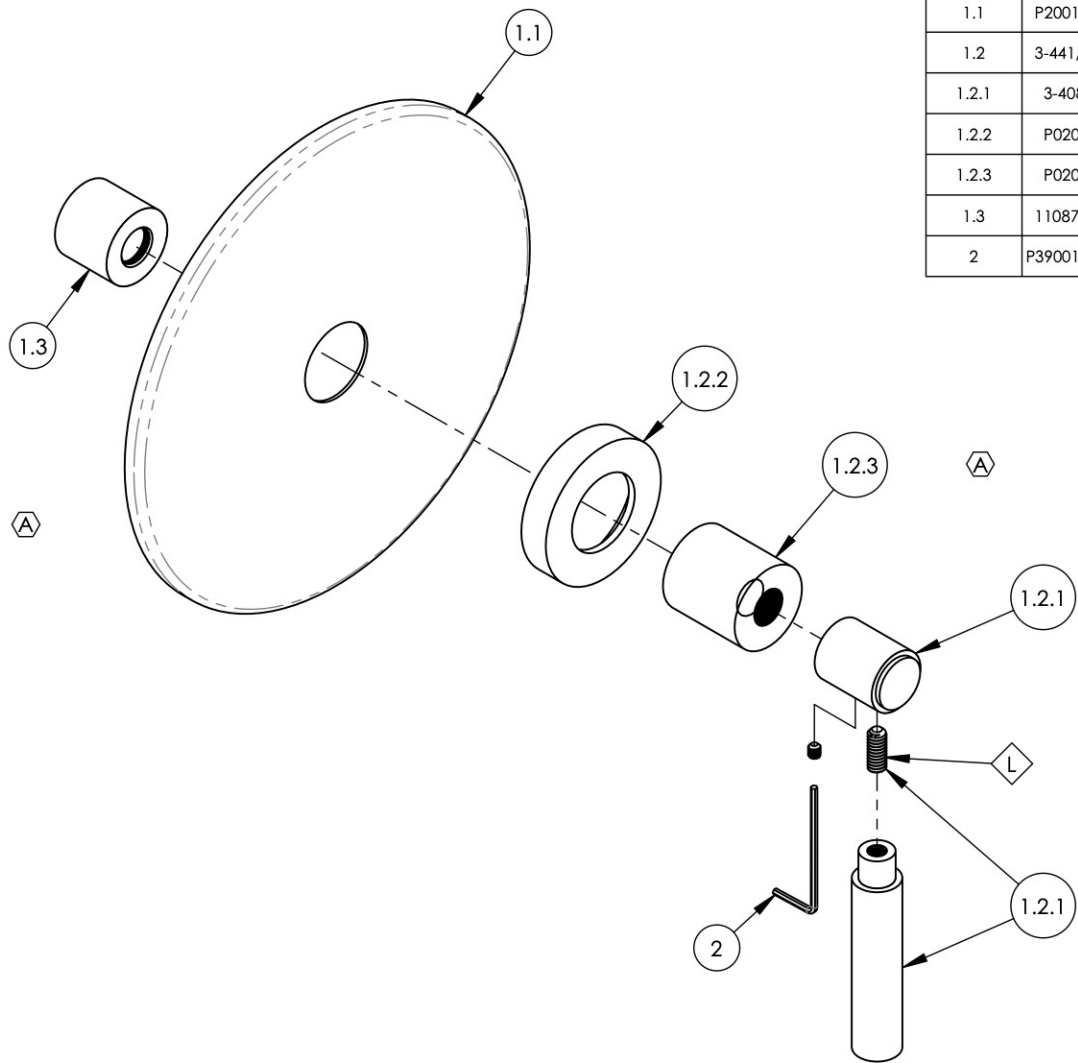


NOTE(S):  
 1. APPLY NSF COMPLIANT LOCTITE TO THREADED AREA. L



ITEM NO.	PART NUMBER	DESCRIPTION	QTY.
1	4-021/00	SHOWER TRIM PLATE, SINGLE HANDLE, LEVER, BASIC	1
1.1	P20016/00	TRIM PLATE, BASIC	1
1.2	3-441/00	ASSY, LEVER HANDLE, BASIC	1
1.2.1	3-408/00	ASSY. LEVER HANDLE, BASIC SERIES.	1
1.2.2	P02035_2/00	ESCUTCHEON, CONTEMPORARY	1
1.2.3	P02035_1/00	HUB ESCUTCHEON, CONTEMPORARY TOP	1
1.3	11087	SLEEVE FOR PB-THERM PLATE	1
2	P39001	HEX KEY 5/64, FOR 8-32 SET SCREW	1

ALL	A	UPDATE TEMPLATE, & HANDLE ASSY, SLEEVE MOUNT, REMOVE TAPE	5/19/2020	AMM
ZONE	REV.	DESCRIPTION	DATE	APPROVED
REVISIONS				

1261 LOGAN AVENUE  
 COSTA MESA, CALIFORNIA 92626  
 PHONE: 714.361.4800  
 FAX: 714.617.3120

**PHYLIRICH**<sup>®</sup>  
 Defining Luxury Since 1959

**PROPRIETARY AND CONFIDENTIAL**  
 THE INFORMATION CONTAINED IN THIS DRAWING IS THE SOLE PROPERTY OF PHYLIRICH. ANY REPRODUCTION IN PART OR AS A WHOLE WITHOUT THE WRITTEN PERMISSION OF PHYLIRICH IS PROHIBITED.

-	-	INTERPRET GEOMETRIC DIMENSIONING & TOLERANCING IN ACCORDANCE WITH ASME Y14.5-2009 & ASME Y14.41-2003 STANDARDS, UNLESS OTHERWISE SPECIFIED. DIMENSIONS ARE IN INCHES. TOLERANCES ARE:		
NEXT ASSY	USED ON	<b>FRACTIONS</b> ±1/16"	<b>DECIMALS</b> X.X: ±.1 X.XX: ±.01 X.XXX: ±.005	<b>ANGULAR</b> ±2°
APPLICATION		MATERIAL	NAME	DATE
FINISH		DRAWN	LLO	10/7/2015
<b>DO NOT SCALE DRAWING</b>		CHECKED	GRE	

<b>1/2" AND 3/4" THERMOSTATIC SHOWER TRIM, LEVER HDL, BASIC</b>			
SIZE	ASM/PRT NO.	REV	
<b>A</b>	DTH130/00	A	
SCALE: 1:2.5	WEIGHT: lbs.	SHEET 1 OF 2	