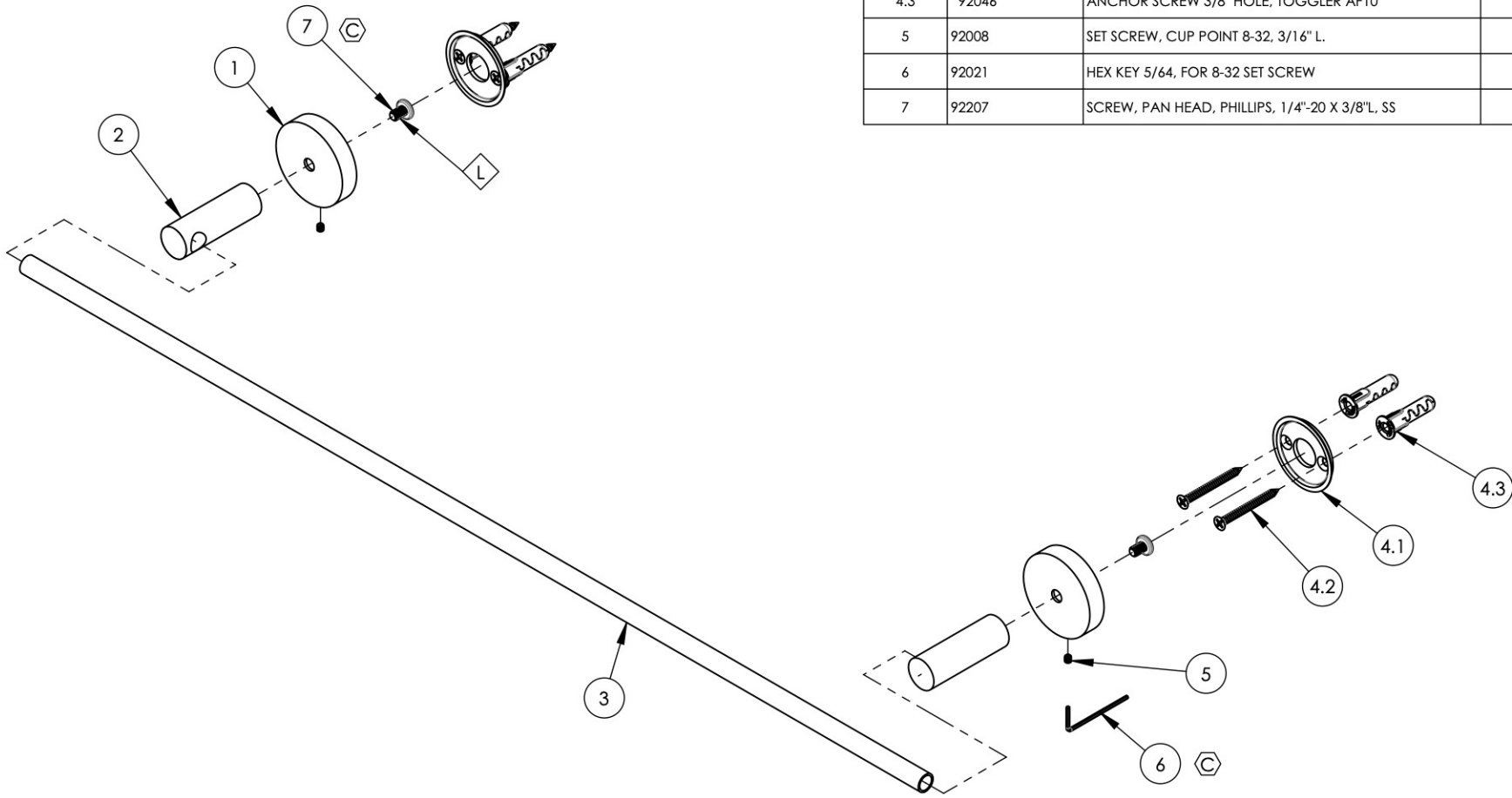


- NOTE(S):
- PART NUMBER, "/00" DENOTES PART SHALL HAVE FINISH.
 - APPLY NSF COMPLIANT GREASE TO ANY O-RING, SEALING JOINTS, AND/OR PIVOTAL POINTS.
 - APPLY NSF COMPLIANT LOCTITE TO THREADED AREA.
 - APPLY NSF COMPLIANT REMOVABLE (BLUE) LOCTITE TO THREADED AREA.
 - SILVER SOLDER JOINTS SHALL BE FULLY WETTED VIA CAPILLARY ACTION AND COMPLETELY NON-POROUS.



ITEM NO.	PART NUMBER	DESCRIPTION	QTY.
1	10639/00	ESCUTCHEON, WALL MOUNT CONTEMP.	2
2	10642/00	EXTENSION POST, TP HOLDER	2
3	10647/00	TOWEL BAR, 30"L X .049" WALL THK.	1
4	2-098	MOUNTING KIT FOR MIX/EDGE SERIES	2
4.1	30042	WALL MOUNTING PLATE	1
4.2	92043	SCREW, FLAT HD #10 SIZE W/ #2 PHIL DRIVE, 2"L	2
4.3	92046	ANCHOR SCREW 3/8" HOLE, TOGGLER AF10	2
5	92008	SET SCREW, CUP POINT 8-32, 3/16" L.	2
6	92021	HEX KEY 5/64, FOR 8-32 SET SCREW	1
7	92207	SCREW, PAN HEAD, PHILLIPS, 1/4"-20 X 3/8"L, SS	2



ZONE	REV.	DESCRIPTION	DATE	APPROVED
D4, B2	C	UPDATE SCREW, ADD CALL OUT & HEX KEY	12/2/2020	AMM
REVISIONS				

1261 LOGAN AVENUE
COSTA MESA, CALIFORNIA 92626
PHONE: 714.361.4800
FAX: 714.617.3120

PHYLIRICH[®]
Defining Luxury Since 1959

PROPRIETARY AND CONFIDENTIAL
THE INFORMATION CONTAINED IN THIS DRAWING IS THE SOLE PROPERTY OF PHYLIRICH. ANY REPRODUCTION IN PART OR AS A WHOLE WITHOUT THE WRITTEN PERMISSION OF PHYLIRICH IS PROHIBITED.
DO NOT SCALE DRAWING

ACCESSORIES, 30" TOWEL BAR, BASIC
(130-72)

SIZE A	ASM/PRT NO. DB75/00	REV C
SCALE: 1:4	WEIGHT: lbs.	SHEET 1 OF 2