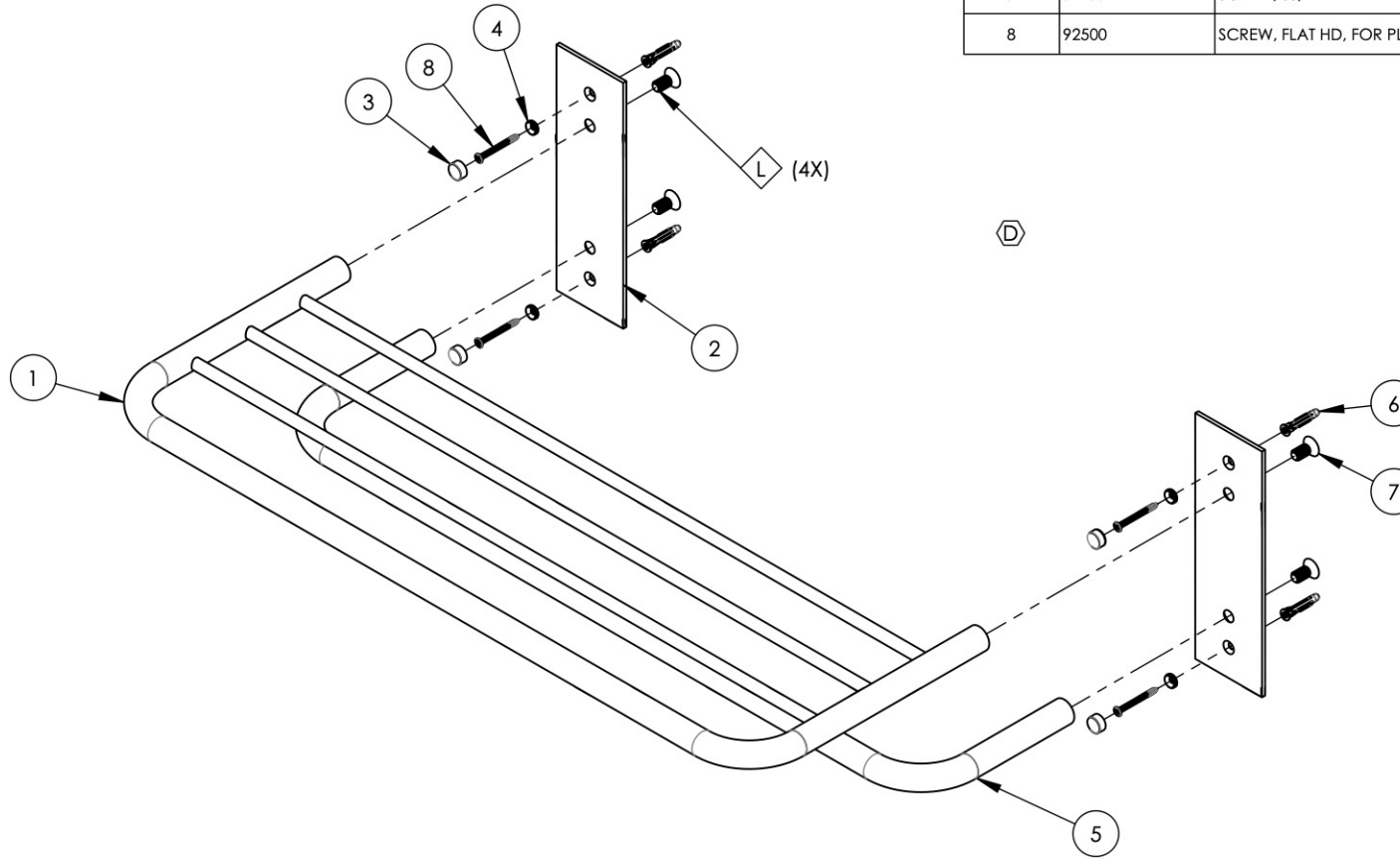


- NOTE(S):
 1. PART NUMBER, "/00" DENOTES PART SHALL HAVE FINISH.
 2. APPLY NSF COMPLIANT GREASE TO ANY O-RING, SEALING JOINTS, AND/OR PIVOTAL POINTS.
 3. APPLY NSF COMPLIANT LOCTITE TO THREADED AREA.
 4. APPLY NSF COMPLIANT REMOVABLE (BLUE) LOCTITE TO THREADED AREA.
 5. SILVER SOLDER JOINTS SHALL BE FULLY WETTED VIA CAPILLARY ACTION AND COMPLETELY NON-POROUS.



ITEM NO.	PART NUMBER	DESCRIPTION	QTY.
1	12195/00	TOWEL RACK, MAIN BODY	1
2	12196/00	PLATE MOUNT, TOWEL RACK, DOUBLE	2
3	12197/00	SCREW CAP, TOWEL RACK, DOUBLE	4
4	12198	THREADED INSERT, SCREW CAP, TOWEL RACK, DOUBLE	4
5	12199/00	BAR, TOWEL, TOWEL RACK, DOUBLE	1
6	92235	ANCHOR FOR DRYWALL, TWIST-ACTION NO. 6-8 SIZE	4
7	92499	SCREW, SS, FLAT HEAD PHILLIPS, M8 X 1.25 X 16MM L	4
8	92500	SCREW, FLAT HD, FOR PLY & OSB, #6 PHIL, 1-1/2" L	4



D3	D	ASSY REWORKED FROM NEW SAMPLE	12/14/2021	AMM
ZONE	REV.	DESCRIPTION	DATE	APPROVED

REVISIONS

1261 LOGAN AVENUE
 COSTA MESA, CALIFORNIA 92626
 PHONE: 714.361.4800
 FAX: 714.617.3120

PHYLIRICH[®]
 Defining Luxury Since 1959

PROPRIETARY AND CONFIDENTIAL
 THE INFORMATION CONTAINED IN THIS DRAWING IS THE SOLE PROPERTY OF PHYLIRICH. ANY REPRODUCTION IN PART OR AS A WHOLE WITHOUT THE WRITTEN PERMISSION OF PHYLIRICH IS PROHIBITED.
DO NOT SCALE DRAWING

TOWEL BAR & RACK, BASIC

SIZE A	ASM/PRT NO. DB46/00	REV D
SCALE: 1:5	WEIGHT: lbs.	SHEET 1 OF 2