

NOTE(S):
 1. PART NUMBER, "/00" DENOTES PART SHALL HAVE FINISH.

2. APPLY NSF COMPLIANT GREASE TO ANY O-RING, SEALING JOINTS, AND/OR PIVOTAL POINTS.

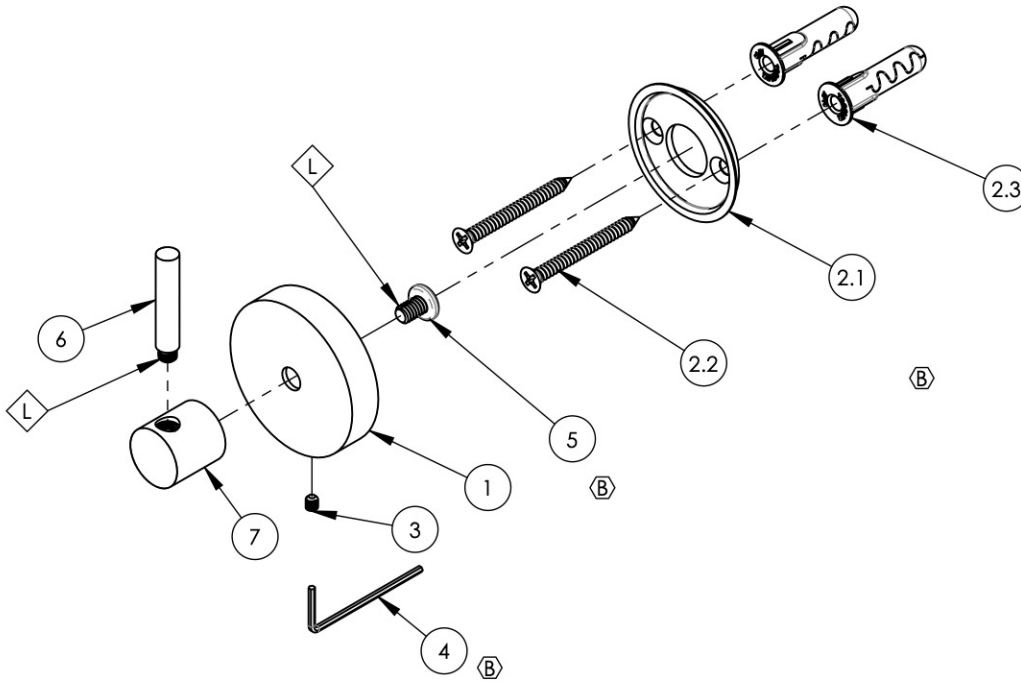
3. APPLY NSF COMPLIANT LOCTITE TO THREADED AREA.

4. APPLY NSF COMPLIANT REMOVABLE (BLUE) LOCTITE TO THREADED AREA.

5. SILVER SOLDER JOINTS SHALL BE FULLY WETTED VIA CAPILLARY ACTION AND COMPLETELY NON-POROUS.



ITEM NO.	PART NUMBER	DESCRIPTION	QTY.
1	10639/00	ESCUTCHEON, WALL MOUNT CONTEMP.	1
2	2-098	MOUNTING KIT FOR MIX/EDGE SERIES	1
2.1	30042	WALL MOUNTING PLATE	1
2.2	92043	SCREW, FLAT HD #10 SIZE W/ #2 PHIL DRIVE, 2"L	2
2.3	92046	ANCHOR SCREW 3/8" HOLE, TOGGLER AF10	2
3	92008	SET SCREW, CUP POINT 8-32, 3/16" L.	1
4	92021	HEX KEY 5/64, FOR 8-32 SET SCREW	1
5	92207	SCREW, PAN HEAD, PHILLIPS, 1/4"-20 X 3/8"L, SS	1
6	P23150/00	POST HOOK, GARMENT, BASIC SERIES	1
7	P23180/00	GARMENT POST	1



ALL	B	UPDATE SCREW, ADD SUBASSY, HEX KEY, & CALL OUTS	12/3/2020	AMM
ZONE	REV.	DESCRIPTION	DATE	APPROVED
REVISIONS				

1261 LOGAN AVENUE
 COSTA MESA, CALIFORNIA 92626
 PHONE: 714.361.4800
 FAX: 714.617.3120

PHYL RICH[®]
 Defining Luxury Since 1959

PROPRIETARY AND CONFIDENTIAL
 THE INFORMATION CONTAINED IN THIS DRAWING IS THE SOLE PROPERTY OF PHYL RICH. ANY REPRODUCTION IN PART OR AS A WHOLE WITHOUT THE WRITTEN PERMISSION OF PHYL RICH IS PROHIBITED.
DO NOT SCALE DRAWING

ACCESSORIES, ROBE/ GARMENT HOOK, BASIC, (130-76)

SIZE A	ASM/PRT NO. DB10/00	REV B
SCALE: 1:2.5	WEIGHT: lbs.	SHEET 1 OF 2