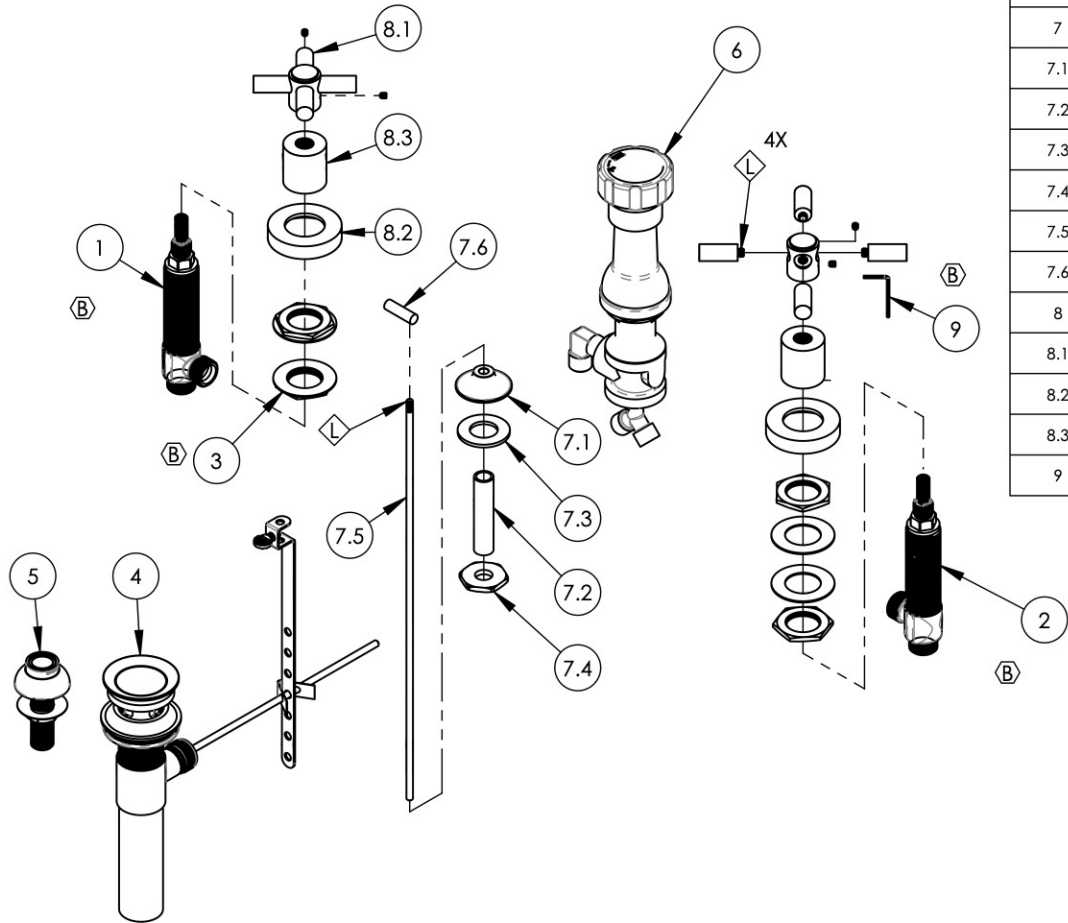


- NOTE(S):
- PART NUMBER, "/00" DENOTES PART SHALL HAVE FINISH.
 - APPLY NSF COMPLIANT GREASE TO ANY O-RING, SEALING JOINTS, AND/OR PIVOTAL POINTS.
 - APPLY NSF COMPLIANT LOCTITE TO THREADED AREA.
 - APPLY NSF COMPLIANT REMOVABLE (BLUE) LOCTITE TO THREADED AREA.
 - SILVER SOLDER JOINTS SHALL BE FULLY WETTED VIA CAPILLARY ACTION AND COMPLETELY NON-POROUS.



ITEM NO.	PART NUMBER	DESCRIPTION	QTY.
1	1-149	WIDESPREAD VALVE LAV 16PT, HOT, ONLY	1
2	1-150	WIDESPREAD VALVE LAV 16PT, COLD, ONLY	1
3	2-203	MOUNTING NUT KIT, WIDESPREAD LAV	4
4	3-046/00	POP-UP DRAIN ASSEMBLY (2-101, 2-102, & 2-246)	1
5	3-085/00	ASSY, BIDET SPRAYER	1
6	3-160/00	BIDET DIVERTER, COMPLETE	1
7	3-192/00	POP-UP ROD BIDET, BASIC	1
7.1	P09007/00	K4160 POP UP GUIDE	1
7.2	P32010	9/16-20 x 56 NIPPLE FOR COMPRESSION STEM	1
7.3	P35026	3/4" SAE FLAT WASHER	1
7.4	P09006	SPECIAL HEX F/BIDET SPRAYER	1
7.5	10719/00	POP-UP ROD, 10-24, 14" LONG	1
7.6	P04019/00	POP-UP, BASIC, W/ 10-24 THREAD	1
8	3-442/00	ASSY, TUBULAR CROSS HANDLE, BASIC	2
8.1	3-439/00	ASSY. CROSS HANDLE TUBULAR, BASIC SERIES	1
8.2	P02035_2/00	ESCUTCHEON, CONTEMPORARY	1
8.3	P02035_1/00	HUB ESCUTCHEON, CONTEMPORARY TOP	1
9	92021	HEX KEY 5/64, FOR 8-32 SET SCREW	1

ALL	B	UPDATE VALVES, ADD MOUNTING NUT ASSY, ADD HEX KEY	11/10/2021	AMM
ZONE	REV.	DESCRIPTION	DATE	APPROVED
REVISIONS				

1261 LOGAN AVENUE
COSTA MESA, CALIFORNIA 92626
PHONE: 714.361.4800
FAX: 714.617.3120

PHYLIRICH[®]
Defining Luxury Since 1959

PROPRIETARY AND CONFIDENTIAL
THE INFORMATION CONTAINED IN THIS DRAWING IS THE SOLE PROPERTY OF PHYLIRICH. ANY REPRODUCTION IN PART OR AS A WHOLE WITHOUT THE WRITTEN PERMISSION OF PHYLIRICH IS PROHIBITED.
DO NOT SCALE DRAWING

BIDET SET, FOUR HOLE, CROSS TUBULAR, BASIC, (131-60)

SIZE A	ASM/PRT NO. D4134/00	REV B
SCALE: 1:5.5	WEIGHT: lbs.	SHEET 1 OF 2