

NOTE(S):
 1. PART NUMBER, "/00" DENOTES PART SHALL HAVE FINISH.

2. APPLY NSF COMPLIANT GREASE TO ANY O-RING, SEALING JOINTS, AND/OR PIVOTAL POINTS.

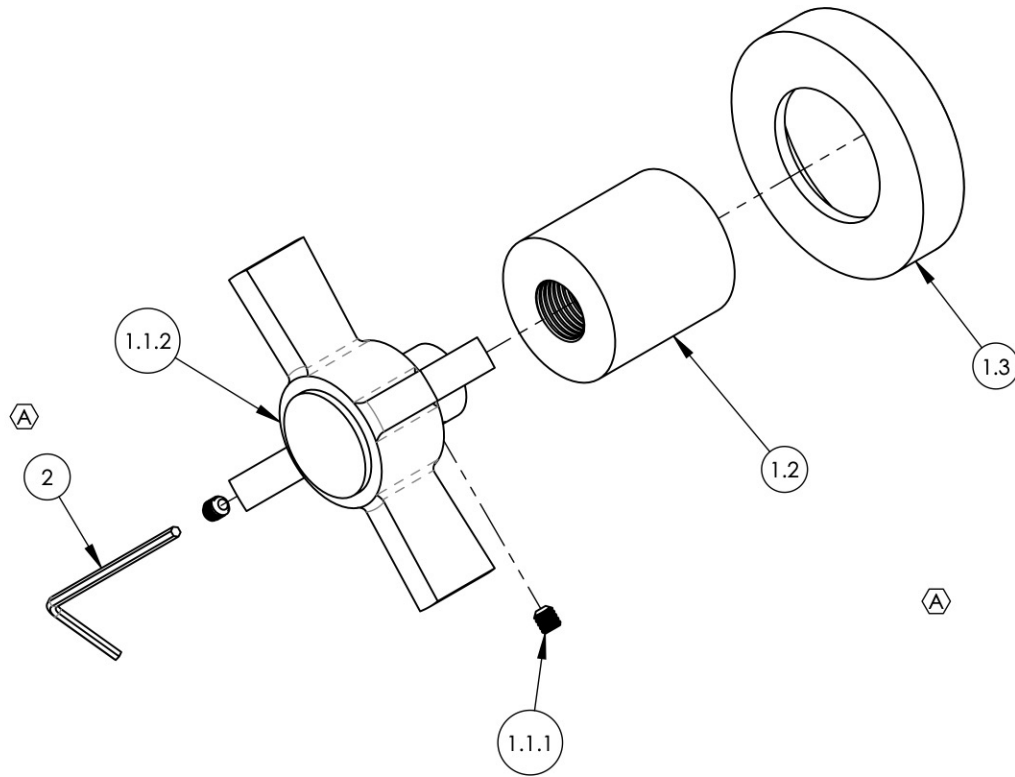
3. APPLY NSF COMPLIANT LOCTITE TO THREADED AREA.

4. APPLY NSF COMPLIANT REMOVABLE (BLUE) LOCTITE TO THREADED AREA.

5. SILVER SOLDER JOINTS SHALL BE FULLY WETTED VIA CAPILLARY ACTION AND COMPLETELY NON-POROUS.



ITEM NO.	PART NUMBER	DESCRIPTION	QTY.
1	3-443/00	ASSY, BLADE CROSS HANDLE, BASIC	1
1.1	3-440/00	ASSY. BLADE HANDLE, BASIC SERIES	1
1.1.1	92008	SET SCREW, CUP POINT 8-32, 3/16" L.	2
1.1.2	P01081/00	HANDLE CROSS BLADE BASIC	1
1.2	P02035_1/00	HUB ESCUTCHEON, CONTEMPORARY TOP	1
1.3	P02035_2/00	ESCUTCHEON, CONTEMPORARY	1
2	92021	HEX KEY 5/64, FOR 8-32 SET SCREW	1



ALL	ZONE	REV.	DESCRIPTION	DATE	APPROVED
	A		ADD HANDLE SUBASSEMBLY, UPDATE HEX KEY	11/4/2021	AMM
REVISIONS					

1261 LOGAN AVENUE
 COSTA MESA, CALIFORNIA 92626
 PHONE: 714.361.4800
 FAX: 714.617.3120

PHYLIRICH[®]
 Defining Luxury Since 1959

PROPRIETARY AND CONFIDENTIAL
 THE INFORMATION CONTAINED IN THIS DRAWING IS THE SOLE PROPERTY OF PHYLIRICH. ANY REPRODUCTION IN PART OR AS A WHOLE WITHOUT THE WRITTEN PERMISSION OF PHYLIRICH IS PROHIBITED.
DO NOT SCALE DRAWING

SHOWER - VOLUME CONTROL/ DIVERTER TRIM, CROSS BLADE, BASIC, (132-35)

SIZE A	ASM/PRT NO. D2PV137A/00	REV A
SCALE: 1:1.5	WEIGHT: lbs.	SHEET 1 OF 2