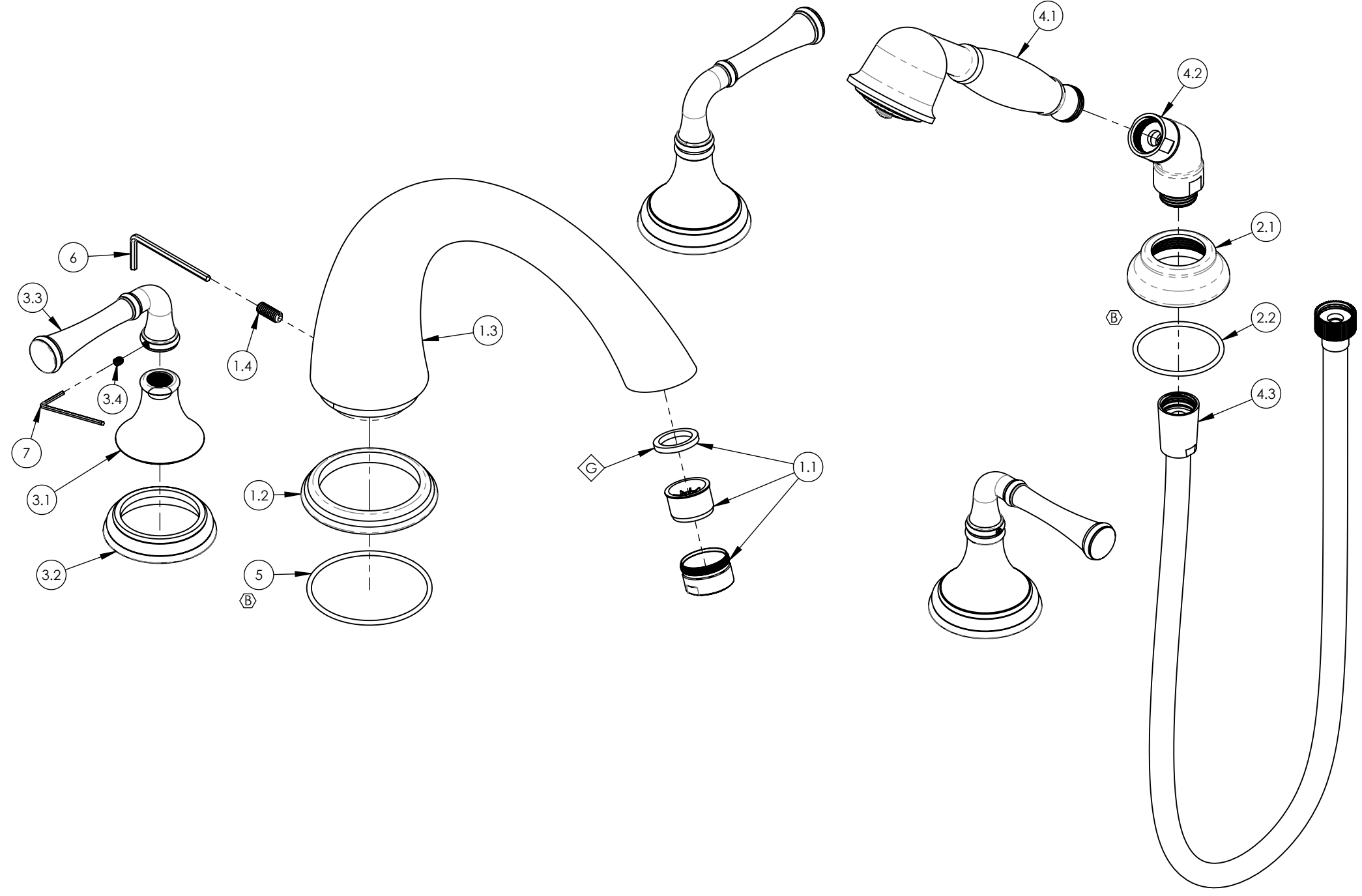


NOTE(S):
 1. PART NUMBER, "/00" DENOTES PART SHALL HAVE FINISH.
 2. APPLY NSF COMPLIANT GREASE TO ANY O-RING, SEALING JOINTS, AND/OR PIVOTAL POINTS.



ITEM NO.	PART NUMBER	DESCRIPTION	QTY.
1	3-197/00	DECK TUB SPOUT, P27020 (K5120) CARRARA, REVERE SERIES	1
1.1	3-610/00	AERATOR & HOUSING, M28X1, TUB FILLER, FULL FLOW	1
1.2	P27035/00	ESCUTCHEON BASE, 3RING DECK SPOUT	1
1.3	P27020/00	K5120 DECK SPOUT	1
1.4	92262	SET SCREW, CUP PT 1/4"-20 X 5/8"L	1
2	3-210/00	ESCUTCHEON BASE, HANDSHOWER, TRADITIONAL	1
2.1	P18001/00	ESCUTCHEON BASE, DECK TUB, HANDSHOWER, TRADITIONAL	1
2.2	90133	1 13/16" O-RING, 1-13/16ID X 3/32THK, AS-568-133	1
3	3-475/00	ASSY. LEVER HANDLE, 3 RING SERIES	3
3.1	10972/00	HUB, TRANSITIONAL 3RING	1
3.2	11188/00	ESCUTCHEON, HANDLE BASE 3RING	1
3.3	P01079/00	HANDLE, STRAIGHT LEVER 3RING 205	1
3.4	92008	SET SCREW, CUP POINT 8-32, 3/16" L	1
4	4-133/00	HANDSHOWER W/ ELBOW & HOSE, CARRARA, GEORGETOWN, VERSAILLES	1
4.1	3-402/00	HAND SHOWER, HEAD ONLY, BELL SHAPED	1
4.2	3-050/00	ELBOW ASSEMBLY	1
4.3	3-049/00	ASSY. HOSE KIT, HANDSHOWER	1
5	90145	O-RING, 2-9/16"ID X 3/32"THK., AS-568-145	1
6	92216	HEX L-KEY 1/8" HEX X 2-5/16" L	1
7	P39001	HEX KEY 5/64, FOR 8-32 SET SCREW	1

ZONE	REV.	DESCRIPTION	DATE	APPROVED
D4, B7	B	NEW TEMPLATE, ADD O-RING, UPDATE HS ESCUTCHEON ASSY	2/18/2020	AMM
REVISIONS				

1261 LOGAN AVENUE
 COSTA MESA, CALIFORNIA 92626
 PHONE: 714.361.4800
 FAX: 714.617.3120

PHYLIRICH®

Defining Luxury Since 1959

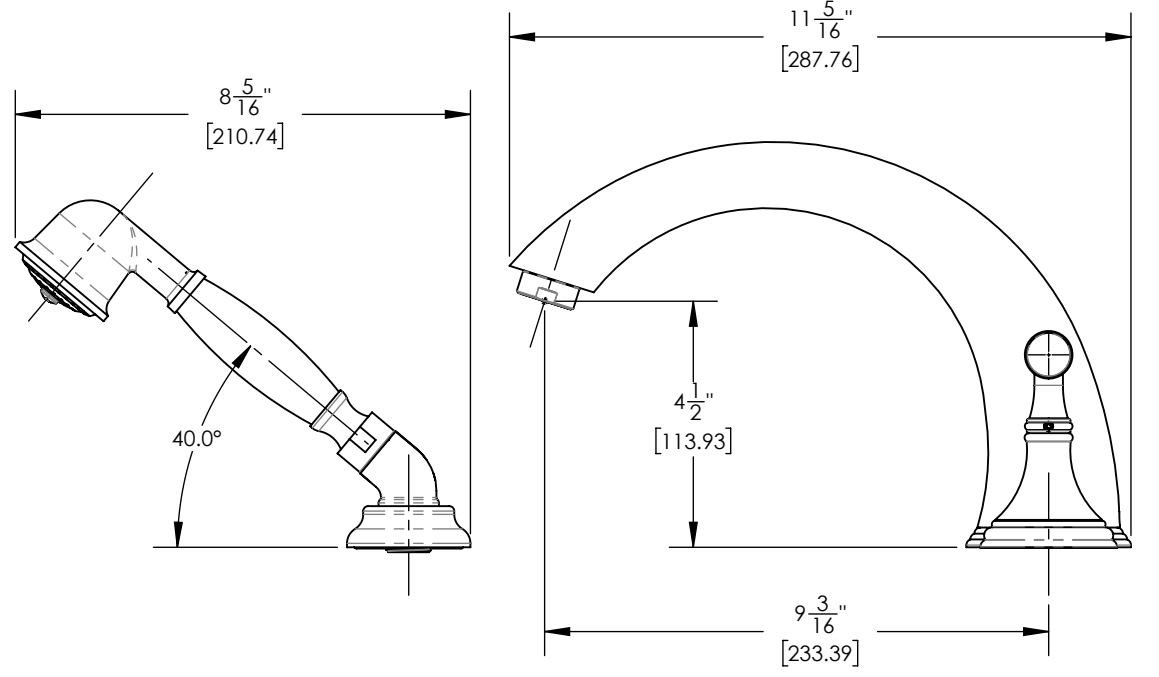
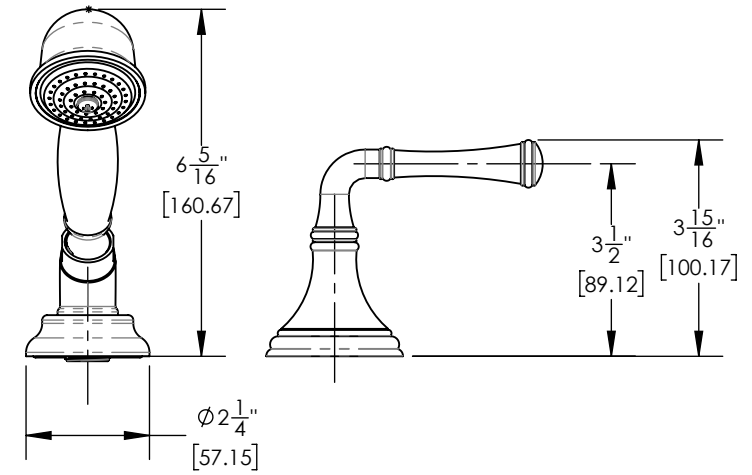
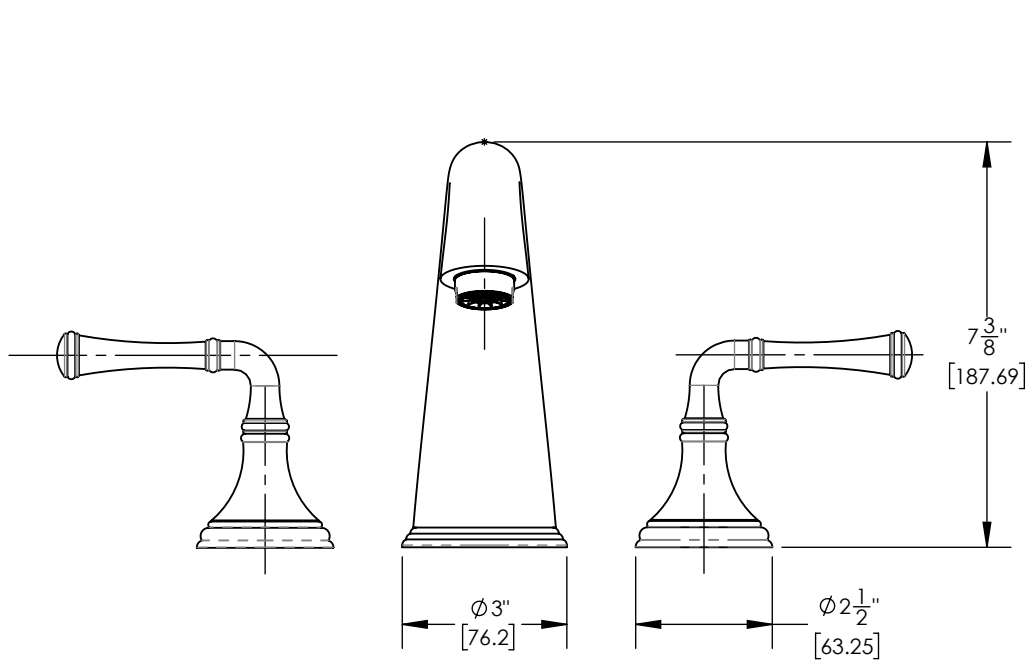
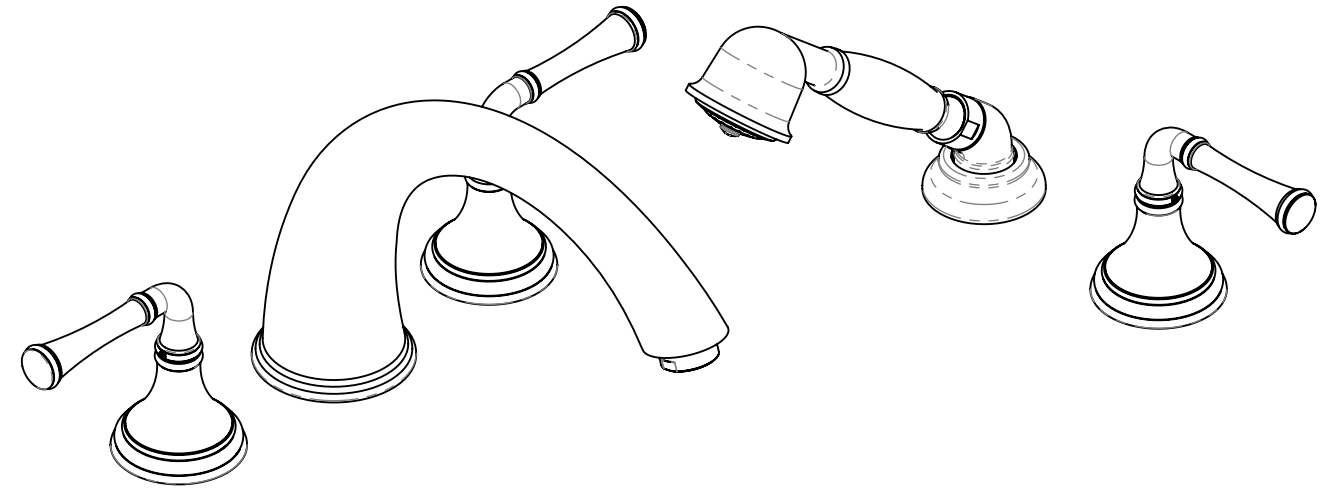
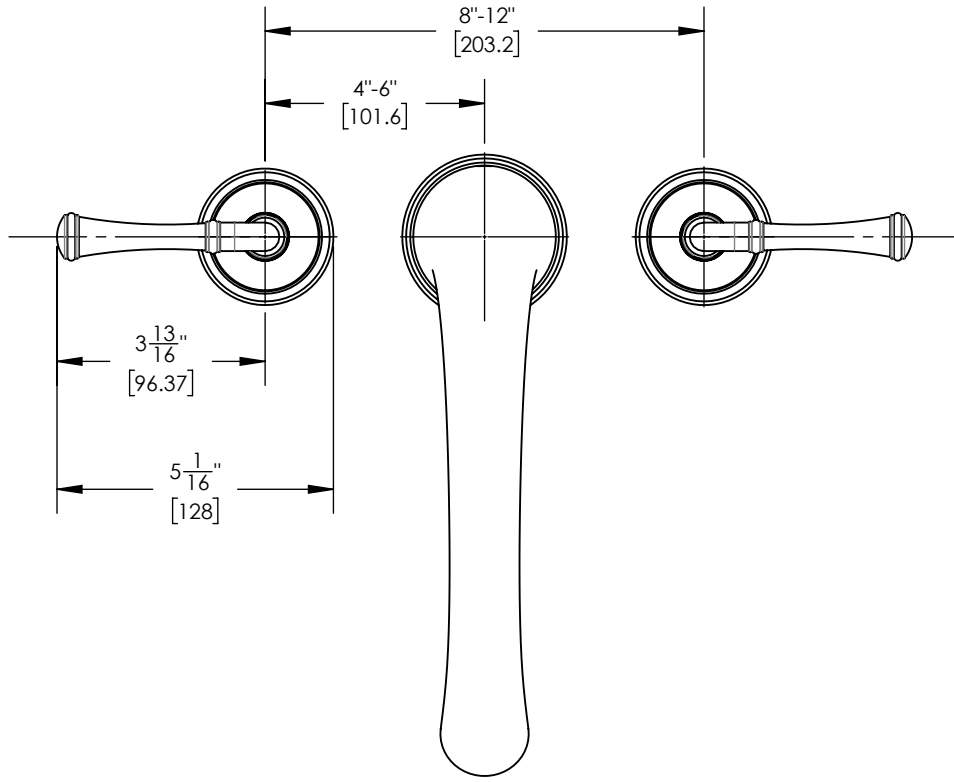
PROPRIETARY AND CONFIDENTIAL
 THE INFORMATION CONTAINED IN THIS DRAWING IS THE SOLE PROPERTY OF PHYLIRICH. ANY REPRODUCTION IN PART OR AS A WHOLE WITHOUT THE WRITTEN PERMISSION OF PHYLIRICH IS PROHIBITED.

INTERPRET GEOMETRIC DIMENSIONING & TOLERANCING IN ACCORDANCE WITH ASME Y14.5-2009 & ASME Y14.41-2003 STANDARDS, UNLESS OTHERWISE SPECIFIED, DIMENSIONS ARE IN INCHES. TOLERANCES ARE:		
FRACTIONS	DECIMALS	ANGULAR
±1/16"	X.X: ±.1 X.XX: ±.01 X.XXX: ±.005	±2°
NEXT ASSY	USED ON	
APPLICATION		
MATERIAL	NAME	DATE
FINISH	DRAWN	9/20/2013
DO NOT SCALE DRAWING		
CHECKED		

DECK TUB SET WITH HANDSHOWER, 3RING SERIES, STRAIGHT LEVER		
SIZE	ASM/PRT NO.	REV
B	D2205E1/00	B
SCALE: 1:2.75	WEIGHT: lbs.	SHEET 1 OF 2

8 7 6 5 4 3 2 1

E D C B A



A

8 7 6 5 4 3 2 1

1261 LOGAN AVENUE
COSTA MESA, CALIFORNIA 92626
PHONE: 714.361.4800
FAX: 714.617.3120

PHYLIRICH[®]
Defining Luxury Since 1959

PROPRIETARY AND CONFIDENTIAL
THE INFORMATION CONTAINED IN THIS DRAWING IS THE SOLE PROPERTY OF PHYLIRICH. ANY REPRODUCTION IN PART OR AS A WHOLE WITHOUT THE WRITTEN PERMISSION OF PHYLIRICH IS PROHIBITED.
DO NOT SCALE DRAWING

DECK TUB SET WITH HANDSHOWER, 3RING SERIES, STRAIGHT LEVER

SIZE	ASM/PRT NO.	REV
B	D2205E1/00	B
SCALE: 1:3.5	WEIGHT: lbs.	SHEET 2 OF 2