

10" Single Handle Wall Lavatory Set w/ Cross Handle

D131-16

■ PRODUCT FEATURES

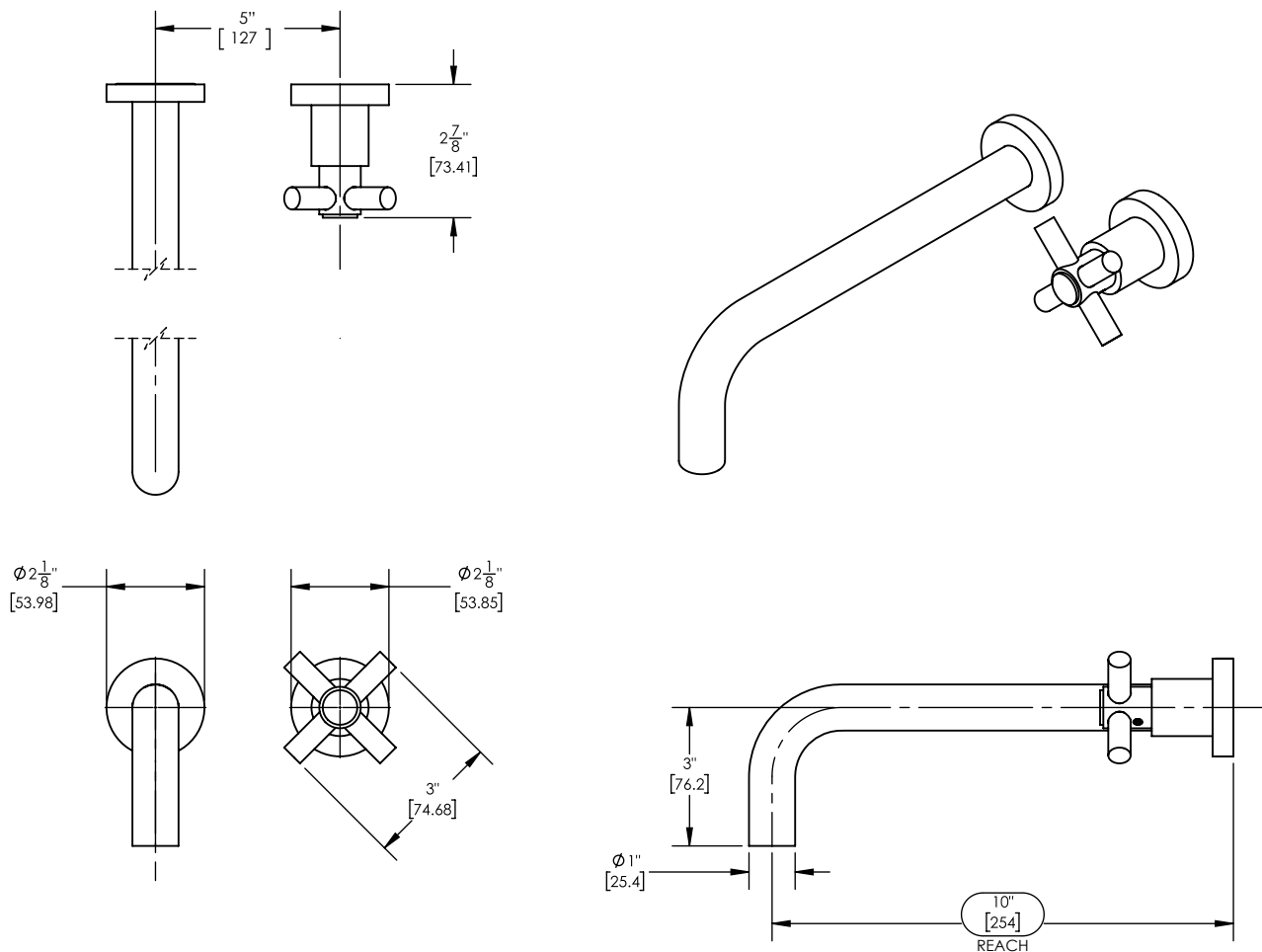
- Style: Contemporary
- Collection: Basic
- Temperature Controlled By Handles
- Cross Tubular Handle
-
-

■ TECHNICAL DETAILS

ADA Compliance: No
Drain Assembly Material: Brass
Fitting Hole Diameter: 1 1/8"
Number of Holes: Two Hole
Number of Handles: One
Handle Turn Angle: Quarter Turn
Spout Reach: 10"
Installation Type: Wall Mounted
Primary Material: Brass
Valve Material: Ceramic
Flow Restriction: 1.2 gpm
Water Pressure Maximum: 85 PSI
Water Pressure Minimum: 20 PSI
Water Pressure Recommended: 60 PSI



■ PRODUCT DIMENSIONS



www.phylrich.com

1261 Logan Avenue, Costa Mesa, California 92626.
Phone: 714.361.4800 Fax: 714.617.3120

Rev-



CODES & STANDARDS

ASME A112.181/CSA B1251, ASME 112.18.2/CSA B125.2, ANSI NSF, CEC

WARRANTY

Mechanical Warranty: 10 Years from date of purchase.
Finish Warranty: See catalog for further information.