

NOTE(S):  
 1. PART NUMBER, "/00" DENOTES PART SHALL HAVE FINISH.

2. APPLY NSF COMPLIANT GREASE TO ANY O-RING, SEALING JOINTS, AND/OR PIVOTAL POINTS.

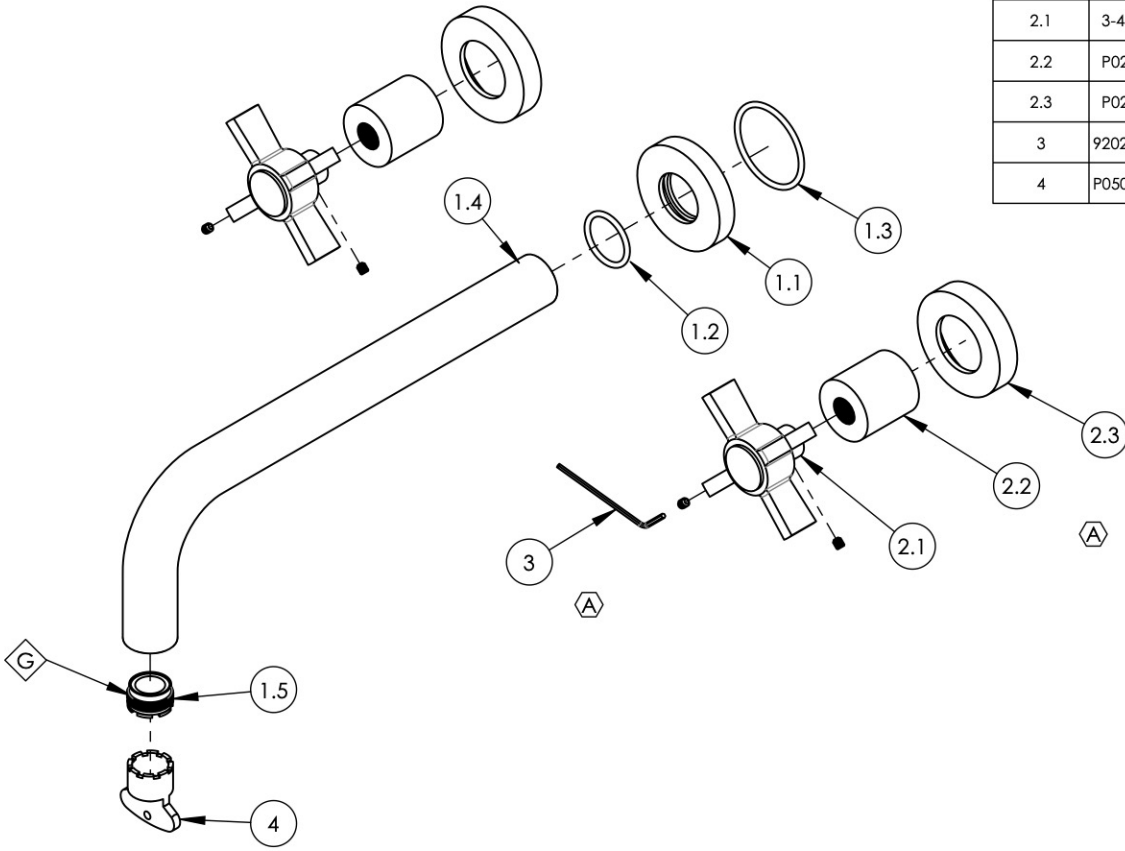
3. APPLY NSF COMPLIANT LOCTITE TO THREADED AREA:

4. APPLY NSF COMPLIANT REMOVABLE (BLUE) LOCTITE TO THREADED AREA:

5. SILVER SOLDER JOINTS SHALL BE FULLY WETTED VIA CAPILLARY ACTION AND COMPLETELY NON-POROUS:



ITEM NO.	PART NUMBER	DESCRIPTION	QTY.
1	3-419/00	WALL TUB, SPOUT ONLY, 10" L, BASIC	1
1.1	P19017/00	ESCUTCHEON, FOR SPOUT	1
1.2	90119	O-RING, 15/16"ID X 1-1/8"OD X 3/32"THK, AS-568-119	1
1.3	90129	O-RING, 1-9/16"ID X 3/32"THK, AS-568-129	1
1.4	10479/00	10" WALL LAV SPOUT, BASIC SERIES	1
1.5	P05024	AERATOR CACHE COIN SLOT, M21.5X1.0 FULL FLOW	1
2	3-443/00	ASSY, BLADE CROSS HANDLE, BASIC	2
2.1	3-440/00	ASSY. BLADE HANDLE, BASIC SERIES	1
2.2	P02035_1/00	HUB ESCUTCHEON, CONTEMPORARY TOP	1
2.3	P02035_2/00	ESCUTCHEON, CONTEMPORARY	1
3	92021	HEX KEY 5/64, FOR 8-32 SET SCREW	1
4	P05025	AERATOR, BASIC KEY, PLASTIC RED	1



ZONE	REV.	DESCRIPTION	DATE	APPROVED
C4, C3	A	UPDATE HANDLE ASSEMBLY & HEX KEY	10/29/2021	AMM
REVISIONS				

1261 LOGAN AVENUE  
 COSTA MESA, CALIFORNIA 92626  
 PHONE: 714.361.4800  
 FAX: 714.617.3120

**PHYL RICH**<sup>®</sup>  
 Defining Luxury Since 1959

**PROPRIETARY AND CONFIDENTIAL**  
 THE INFORMATION CONTAINED IN THIS DRAWING IS THE SOLE PROPERTY OF PHYL RICH. ANY REPRODUCTION IN PART OR AS A WHOLE WITHOUT THE WRITTEN PERMISSION OF PHYL RICH IS PROHIBITED.  
**DO NOT SCALE DRAWING**

WALL TUB SET, SPOUT 10" L, CROSS BLADE, BASIC, (132-57)

SIZE <b>A</b>	ASM/PRT NO. D1137-10/00	REV A
SCALE: 1:3.5	WEIGHT: lbs.	SHEET 1 OF 2