

NOTE(S):
 1. PART NUMBER, "/00" DENOTES PART SHALL HAVE FINISH.

2. APPLY NSF COMPLIANT GREASE TO ANY O-RING, SEALING JOINTS, AND/OR PIVOTAL POINTS.

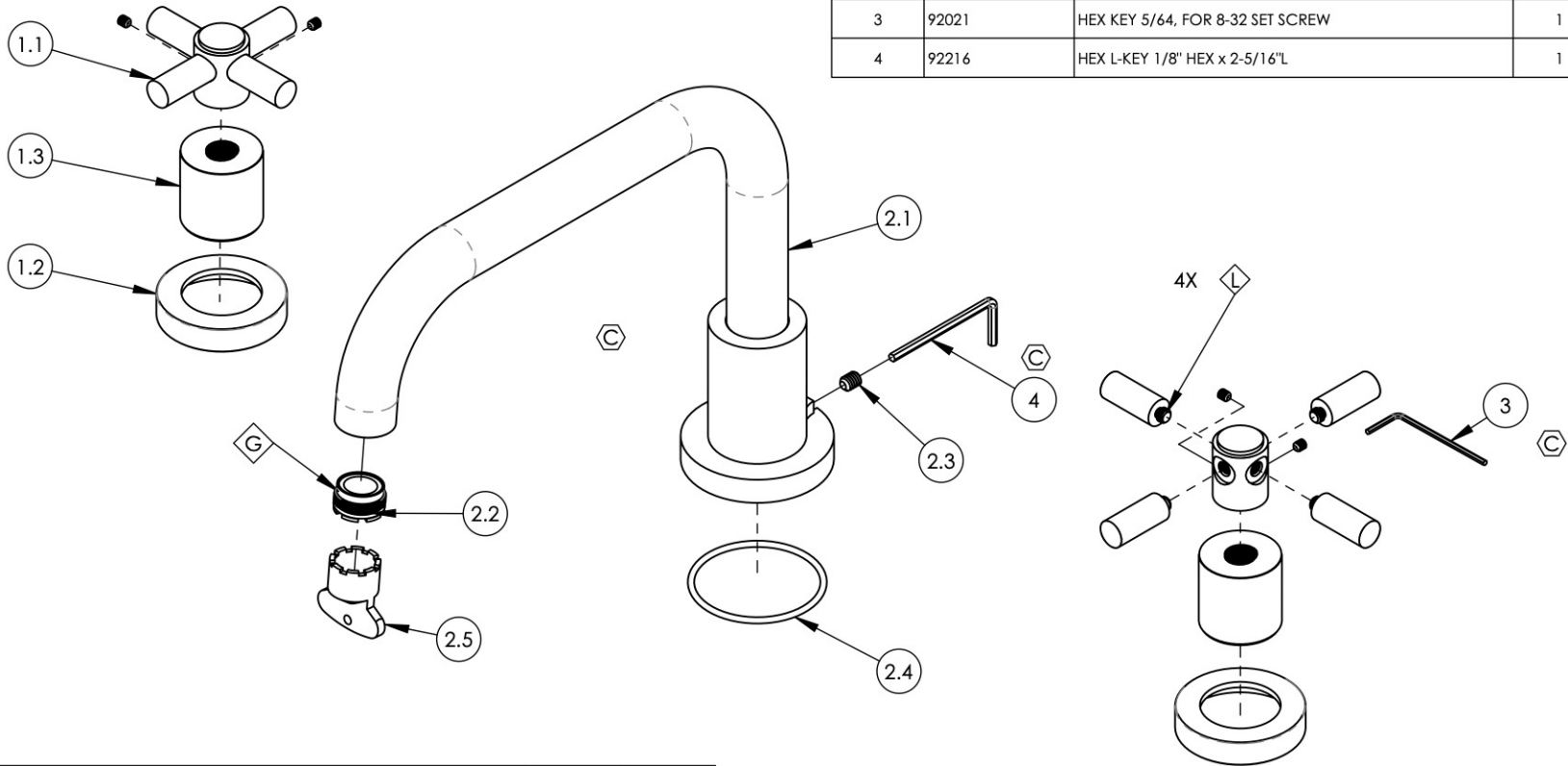
3. APPLY NSF COMPLIANT LOCTITE TO THREADED AREA.

4. APPLY NSF COMPLIANT REMOVABLE (BLUE) LOCTITE TO THREADED AREA.

5. SILVER SOLDER JOINTS SHALL BE FULLY WETTED VIA CAPILLARY ACTION AND COMPLETELY NON-POROUS.



ITEM NO.	PART NUMBER	DESCRIPTION	QTY.
1	3-186/00	TUBULAR CROSS HANDLE FOR DECK TUB, BASIC SERIES	2
1.1	3-439/00	ASSY. CROSS HANDLE TUBULAR, BASIC SERIES	1
1.2	11108/00	ESCUTCHEON LARGE ID FOR RT/PB, BASIC SERIES	1
1.3	11107/00	HUB LARGE FOR RT, BASIC SERIES	1
2	3-191/00	DECK TUB, SPOUT ONLY, LOW SPOUT, BASIC	1
2.1	2-168/00	SUB ASSY. FLAT TUB SPOUT, DECK TUB BASIC	1
2.2	P05024	AERATOR CACHE COIN SLOT, M21.5X1.0 FULL FLOW	1
2.3	92127	SET SCREW, CUP PT, 1/4"-20 X 5/16"L, SS	1
2.4	90137	O-RING, 2-1/16"ID X 3/32"THK., AS-568-137	1
2.5	P05025	AERATOR, BASIC KEY, PLASTIC RED	1
3	92021	HEX KEY 5/64, FOR 8-32 SET SCREW	1
4	92216	HEX L-KEY 1/8" HEX x 2-5/16"L	1



ALL	C	UPDATE SPOUT ASSEMBLY & HEX KEYS	11/9/2021	AMM
ZONE	REV.	DESCRIPTION	DATE	APPROVED
REVISIONS				

1261 LOGAN AVENUE
 COSTA MESA, CALIFORNIA 92626
 PHONE: 714.361.4800
 FAX: 714.617.3120

PHYL RICH[®]
 Defining Luxury Since 1959

PROPRIETARY AND CONFIDENTIAL
 THE INFORMATION CONTAINED IN THIS DRAWING IS THE SOLE PROPERTY OF PHYL RICH. ANY REPRODUCTION IN PART OR AS A WHOLE WITHOUT THE WRITTEN PERMISSION OF PHYL RICH IS PROHIBITED.
DO NOT SCALE DRAWING

DECK TUB SET, LOW SPOUT W/ CROSS TUBULAR, BASIC, (131-41)

SIZE A	ASM/PRT NO. D1136D/00	REV C
SCALE: 1:3	WEIGHT: lbs.	SHEET 1 OF 2