

NOTE(S):  
 1. PART NUMBER, "/00" DENOTES PART SHALL HAVE FINISH.

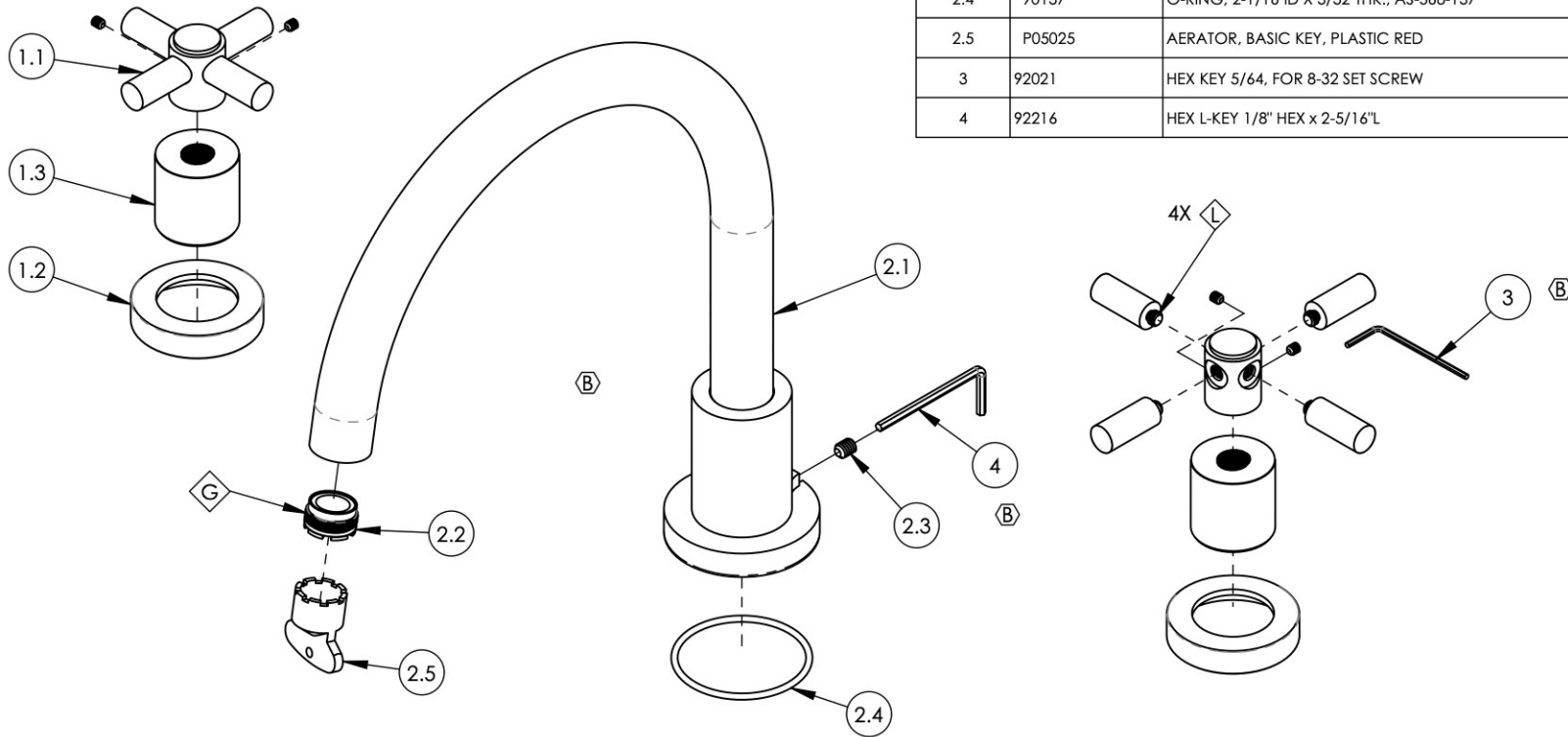
2. APPLY NSF COMPLIANT GREASE TO ANY O-RING, SEALING JOINTS, AND/OR PIVOTAL POINTS. G

3. APPLY NSF COMPLIANT LOCTITE TO THREADED AREA. L

4. APPLY NSF COMPLIANT REMOVABLE (BLUE) LOCTITE TO THREADED AREA. B

5. SILVER SOLDER JOINTS SHALL BE FULLY WETTED VIA CAPILLARY ACTION AND COMPLETELY NON-POROUS. S

ITEM NO.	PART NUMBER	DESCRIPTION	QTY.
1	3-186/00	TUBULAR CROSS HANDLE FOR DECK TUB, BASIC SERIES	2
1.1	3-439/00	ASSY. CROSS HANDLE TUBULAR, BASIC SERIES	1
1.2	11108/00	ESCUTCHEON LARGE ID FOR RT/PB, BASIC SERIES	1
1.3	11107/00	HUB LARGE FOR RT, BASIC SERIES	1
2	3-190/00	DECK TUB, SPOUT ONLY, HIGH SPOUT, BASIC	1
2.1	2-167/00	SUB ASSY. HIGH ARC TUB SPOUT, DECK TUB BASIC	1
2.2	P05024	AERATOR CACHE COIN SLOT, M21.5X1.0 FULL FLOW	1
2.3	92127	SET SCREW, CUP PT, 1/4"-20 X 5/16"L, SS	1
2.4	90137	O-RING, 2-1/16"ID X 3/32"THK., AS-568-137	1
2.5	P05025	AERATOR, BASIC KEY, PLASTIC RED	1
3	92021	HEX KEY 5/64, FOR 8-32 SET SCREW	1
4	92216	HEX L-KEY 1/8" HEX x 2-5/16"L	1



ALL	B	UPDATE SPOUT ASSEMBLY & HEX KEYS	11/9/2021	AMM
ZONE	REV.	DESCRIPTION	DATE	APPROVED
REVISIONS				

1261 LOGAN AVENUE  
 COSTA MESA, CALIFORNIA 92626  
 PHONE: 714.361.4800  
 FAX: 714.617.3120

**PHYLIRICH**<sup>®</sup>  
 Defining Luxury Since 1959

**PROPRIETARY AND CONFIDENTIAL**  
 THE INFORMATION CONTAINED IN THIS DRAWING IS THE SOLE PROPERTY OF PHYLIRICH. ANY REPRODUCTION IN PART OR AS A WHOLE WITHOUT THE WRITTEN PERMISSION OF PHYLIRICH IS PROHIBITED.  
**DO NOT SCALE DRAWING**

**DECK TUB SET, HIGH SPOUT W/ CROSS TUBULAR, BASIC, (131-40)**

SIZE <b>A</b>	ASM/PRT NO. <b>D1134C/00</b>	REV <b>B</b>
SCALE: 1:3	WEIGHT: lbs.	SHEET 1 OF 2