
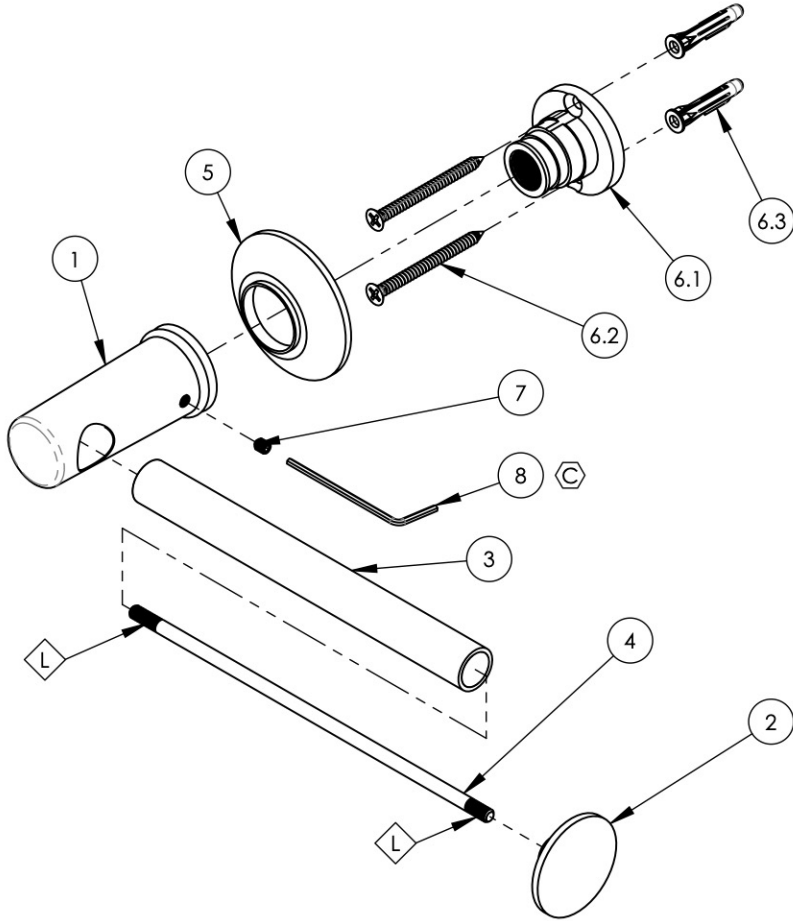


- NOTE(S):
- PART NUMBER, "/00" DENOTES PART SHALL HAVE FINISH.
 - APPLY NSF COMPLIANT LOCTITE TO THREADED AREA. 



ITEM NO.	PART NUMBER	DESCRIPTION	QTY.
1	11053/00	POST, TP HOLDER HEX MODERN 501 SERIES	1
2	11057/00	TP HOLDER, FINIAL. HEX MODERN 501 SERIES	1
3	11059/00	BAR TUBE FOR TP HOLDER, 501 SERIES	1
4	11061	3/16" DIA. ROD WITH THREAD FOR TP HOLDER	1
5	11732/00	ESCUTCHEON, TRANSITIONAL	1
6	2-103	MOUNTING KIT WITH ADJUSTABLE THREADED PIN	1
6.1	11050	MOUNTING KIT, WALL FLANGE	1
6.2	92234	SCREW FOR WOOD, PHIL, NO. 8 X 1-1/2"L	2
6.3	92235	ANCHOR FOR DRYWALL, TWIST-ACTION NO. 6-8 SIZE	2
7	92008	SET SCREW, CUP POINT 8-32, 3/16" L.	1
8	P39001	HEX KEY 5/64, FOR 8-32 SET SCREW	1

ALL	C	UPDATE TEMPLATE, DWG NAME, ADD HEX KEY	12/10/2019	AMM
ZONE	REV.	DESCRIPTION	DATE	APPROVED
REVISIONS				

1261 LOGAN AVENUE
COSTA MESA, CALIFORNIA 92626
PHONE: 714.361.4800
FAX: 714.617.3120

PHYL RICH[®]
Defining Luxury Since 1959

PROPRIETARY AND CONFIDENTIAL
THE INFORMATION CONTAINED IN THIS DRAWING IS THE SOLE PROPERTY OF PHYL RICH. ANY REPRODUCTION IN PART OR AS A WHOLE WITHOUT THE WRITTEN PERMISSION OF PHYL RICH IS PROHIBITED.

-	-	INTERPRET GEOMETRIC DIMENSIONING & TOLERANCING IN ACCORDANCE WITH ASME Y14.5-2009 & ASME Y14.41-2003 STANDARDS, UNLESS OTHERWISE SPECIFIED. DIMENSIONS ARE IN INCHES. TOLERANCES ARE:		
NEXT ASSY	USED ON	FRACTIONS ±1/16"	DECIMALS X.X: ±.1 X.XX: ±.01 X.XXX: ±.005	ANGULAR ±2°
APPLICATION		MATERIAL	NAME	DATE
FINISH		DRAWN	CA	7/23/2013
DO NOT SCALE DRAWING		CHECKED		

ACCESSORIES, PAPER HOLDER, SINGLE POST, HEX MODERN

SIZE **A** ASM/PRT NO. **501-74/00** REV **C**

SCALE: 1:2.5 WEIGHT: lbs. SHEET 1 OF 2