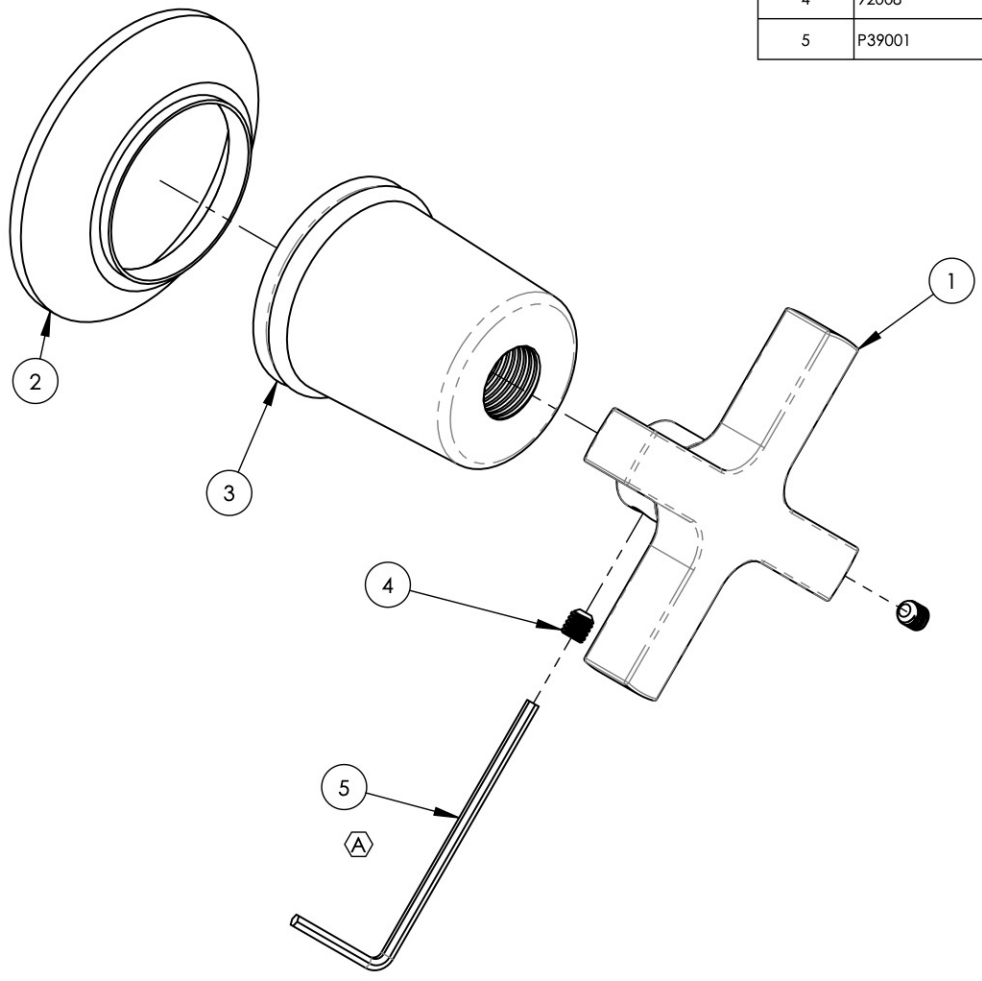


ITEM NO.	PART NUMBER	DESCRIPTION	QTY.
1	10633/00	HANDLE CROSS, CONTEMPORARY 16PT	1
2	10921/00	ESCUTCHEON, TRANSITIONAL	1
3	10922/00	HUB, FOR HEX TRANSITIONAL	1
4	92008	SET SCREW, CUP POINT 8-32, 3/16" L.	2
5	P39001	HEX KEY 5/64, FOR 8-32 SET SCREW	1



ZONE	REV.	DESCRIPTION	DATE	APPROVED
B4, B1	A	UPDATE DWG NAME, ADD HEX KEY	12/3/2019	AMM

REVISIONS

PHYLIRICH®
Defining Luxury Since 1959

1261 LOGAN AVENUE
COSTA MESA, CALIFORNIA 92626
PHONE: 714.361.4800
FAX: 714.617.3120

PROPRIETARY AND CONFIDENTIAL
THE INFORMATION CONTAINED IN THIS DRAWING IS THE SOLE PROPERTY OF PHYLIRICH. ANY REPRODUCTION IN PART OR AS A WHOLE WITHOUT THE WRITTEN PERMISSION OF PHYLIRICH IS PROHIBITED.

-		INTERPRET GEOMETRIC DIMENSIONING & TOLERANCING IN ACCORDANCE WITH ASME Y14.5-2009 & ASME Y14.41-2003 STANDARDS, UNLESS OTHERWISE SPECIFIED. DIMENSIONS ARE IN INCHES. TOLERANCES ARE: FRACTIONS ±1/16" DECIMALS X.X: ±.1 X.XX: ±.01 X.XXX: ±.005 ANGULAR ±2°
NEXT ASSY	USED ON	
APPLICATION		
MATERIAL	NAME	DATE
FINISH	DRAWN	MAF 1/20/2014
DO NOT SCALE DRAWING		CHECKED
		GRE

SHOWER ITEM, VOLUME CONTROL/DIVERTER, CROSS, HEX MODERN

SIZE **A** ASM/PRT NO. 501-35/00 REV A

SCALE: 1:1.25 WEIGHT: lbs. SHEET 1 OF 2

