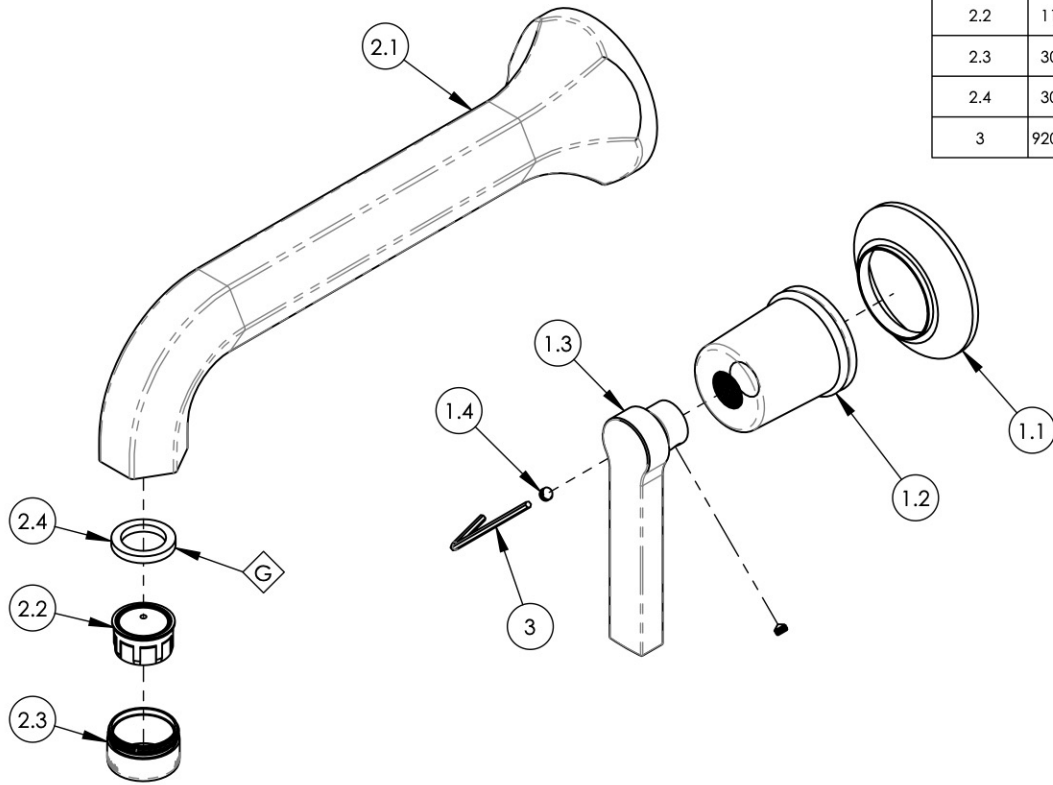


- NOTE(S):
1. PART NUMBER, "/00" DENOTES PART SHALL HAVE FINISH.
 2. APPLY NSF COMPLIANT GREASE TO ANY O-RING, SEALING JOINTS, AND/OR PIVOTAL POINTS.
 3. APPLY NSF COMPLIANT LOCTITE TO THREADED AREA.
 4. APPLY NSF COMPLIANT REMOVABLE (BLUE) LOCTITE TO THREADED AREA.
 5. SILVER SOLDER JOINTS SHALL BE FULLY WETTED VIA CAPILLARY ACTION AND COMPLETELY NON-POROUS.



ITEM NO.	PART NUMBER	DESCRIPTION	QTY.
1	3-133/00	LEVER HANDLE, HEX MODERN, 501 SERIES	1
1.1	10921/00	ESCUTCHEON, TRANSITIONAL	1
1.2	10922/00	HUB, FOR HEX TRANSITIONAL	1
1.3	11036/00	HANDLE LEVER, CONTEMPORARY 16PT	1
1.4	92163	SET SCREW, CUP PT 8-32 X 1/8"L	2
2	3-146/00	SPOUT, WALL LAV, 500/501 SERIES	1
2.1	10427/00	SPOUT WALL, CAST BRASS, HEX	1
2.2	11426	AERATOR DROP-IN INSERT 1.2 GPM, NEOPERL # 40.2060.00000	1
2.3	30032/00	AERATOR HOUSING 15/16" MALE HOUSING	1
2.4	30030	RUBBER SEAL WASHER AERATOR, NEOPERL PRT # BW.7110.1	1
3	92021	HEX KEY 5/64, FOR 8-32 SET SCREW	1



ZONE	REV.	DESCRIPTION	DATE	APPROVED
REVISIONS				

1261 LOGAN AVENUE
COSTA MESA, CALIFORNIA 92626
PHONE: 714.361.4800
FAX: 714.617.3120

PHYLIRICH[®]
Defining Luxury Since 1959

PROPRIETARY AND CONFIDENTIAL
THE INFORMATION CONTAINED IN THIS DRAWING IS THE SOLE PROPERTY OF PHYLIRICH. ANY REPRODUCTION IN PART OR AS A WHOLE WITHOUT THE WRITTEN PERMISSION OF PHYLIRICH IS PROHIBITED.
DO NOT SCALE DRAWING

WALL LAV SET, SINGLE HANDLE, CAST SPOUT W/ LEVER, HEX MODERN

SIZE A	ASM/PRT NO. 501-16/00	REV -
SCALE: 1:2.5	WEIGHT: lbs.	SHEET 1 OF 2