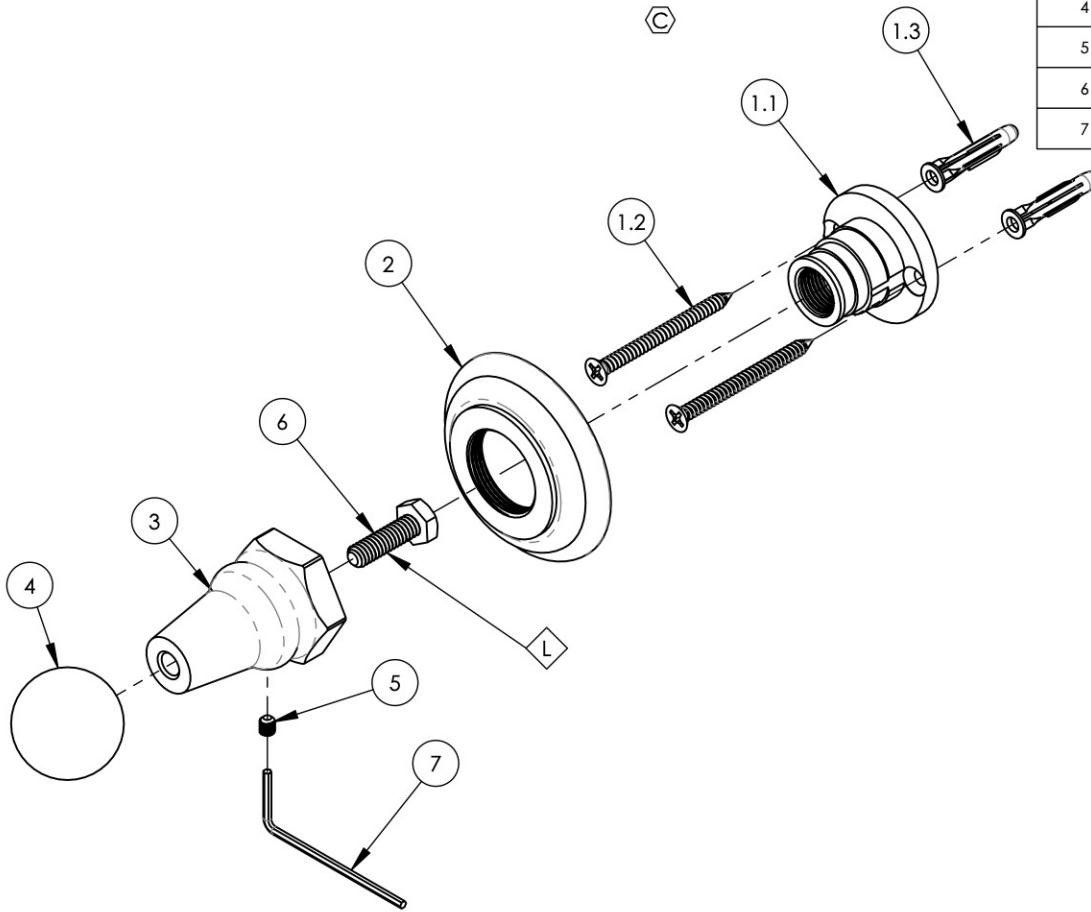


NOTE(S):  
 1. APPLY NSF COMPLIANT LOCTITE TO THREADED AREA. L

ITEM NO.	PART NUMBER	DESCRIPTION	QTY.
1	2-103	MOUNTING KIT WITH ADJUSTABLE THREADED PIN	1
1.1	11050	MOUNTING KIT, WALL FLANGE	1
1.2	92234	SCREW FOR WOOD, PHIL. NO. 8 X 1-1/2" L	2
1.3	92235	ANCHOR FOR DRYWALL, TWIST-ACTION NO. 6-8 SIZE	2
2	10619/00	ESCUTCHEON, TRADITIONAL LAV 1"-20	1
3	11076/00	POST, 500 SERIES	1
4	11080/00	END BALL, ROBE HOOK, 500 SERIES	1
5	92008	SET SCREW, CUP POINT 8-32, 3/16" L.	1
6	92232	HEX HEAD CAP SCREW, 1/4-20, 7/8" L	1
7	P39001	HEX KEY 5/64, FOR 8-32 SET SCREW	1



ALL	C	UPDATE TEMPLATE, MOUNTING KIT & DWG NAME, ADD CALL OUTS	12/30/2019	AMM
ZONE	REV.	DESCRIPTION	DATE	APPROVED
REVISIONS				

1261 LOGAN AVENUE  
 COSTA MESA, CALIFORNIA 92626  
 PHONE: 714.361.4800  
 FAX: 714.617.3120

**PHYLIRICH**<sup>®</sup>  
 Defining Luxury Since 1959

**PROPRIETARY AND CONFIDENTIAL**  
 THE INFORMATION CONTAINED IN THIS DRAWING IS THE SOLE PROPERTY OF PHYLIRICH. ANY REPRODUCTION IN PART OR AS A WHOLE WITHOUT THE WRITTEN PERMISSION OF PHYLIRICH IS PROHIBITED.

-	-	INTERPRET GEOMETRIC DIMENSIONING & TOLERANCING IN ACCORDANCE WITH ASME Y14.5-2009 & ASME Y14.41-2003 STANDARDS, UNLESS OTHERWISE SPECIFIED. DIMENSIONS ARE IN INCHES. TOLERANCES ARE:		
NEXT ASSY	USED ON	<b>FRACTIONS</b> ±1/16"	<b>DECIMALS</b> X.X: ±.1 X.XX: ±.01 X.XXX: ±.005	<b>ANGULAR</b> ±2°
APPLICATION		NAME	DATE	
MATERIAL		DRAWN	LLO	4/23/2014
FINISH		CHECKED	GRE	
<b>DO NOT SCALE DRAWING</b>				

**ACCESSORIES, ROBE HOOK, HEX TRADITIONAL**

SIZE <b>A</b>	ASM/PRT NO. 500-76/00	REV C
SCALE: 1:2	WEIGHT: lbs.	SHEET 1 OF 2