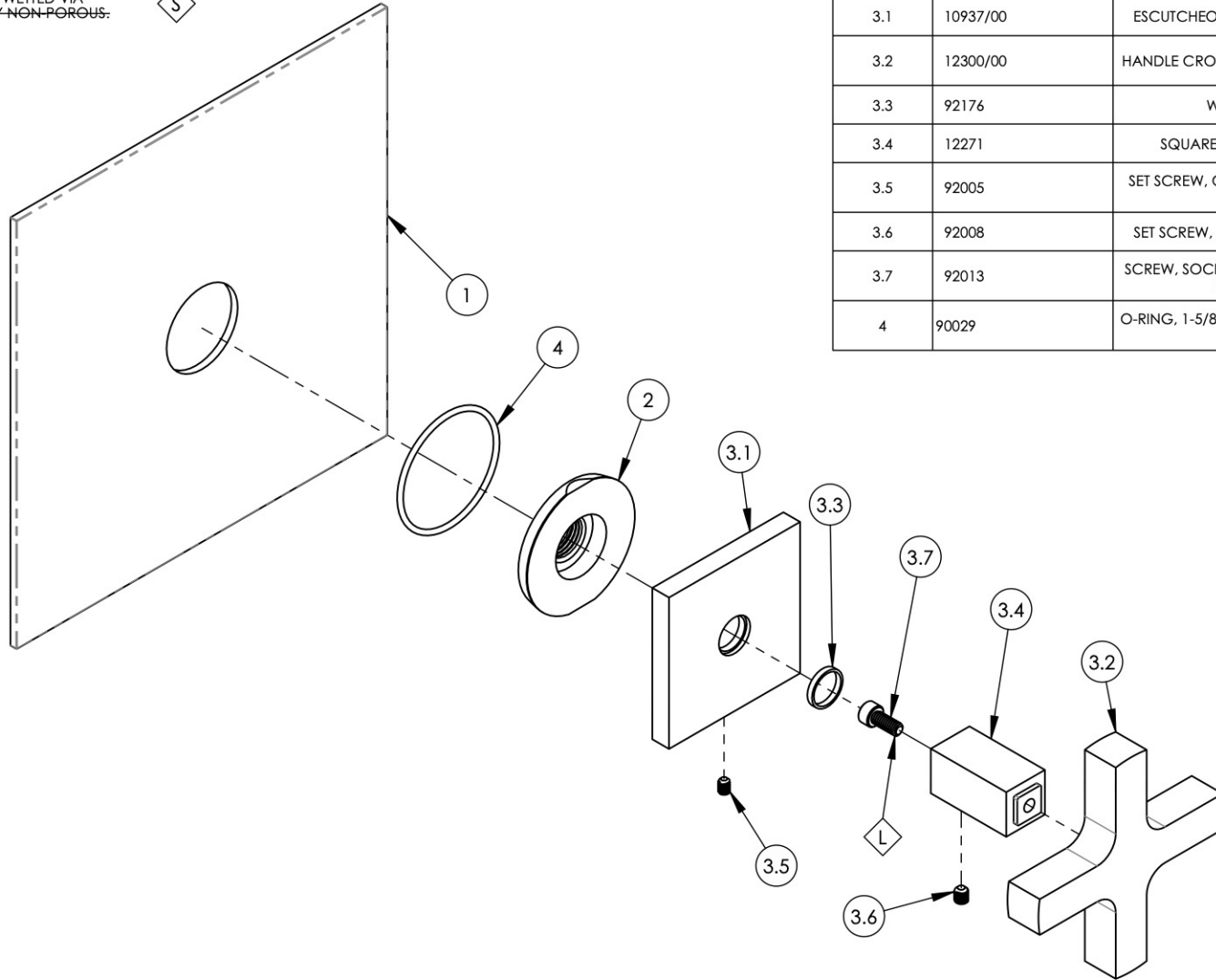


- NOTE(S):
- PART NUMBER, "/00" DENOTES PART SHALL HAVE FINISH.
 - APPLY NSF COMPLIANT GREASE TO ANY O-RING, SEALING JOINTS, AND/OR PIVOTAL POINTS.
 - APPLY NSF COMPLIANT LOCTITE TO THREADED AREA.
 - APPLY NSF COMPLIANT REMOVABLE (BLUE) LOCTITE TO THREADED AREA.
 - SILVER SOLDER JOINTS SHALL BE FULLY WETTED VIA CAPILLARY ACTION AND COMPLETELY NON-POROUS.



ITEM NO.	PART NUMBER	DESCRIPTION	QTY.
1	10958/00	PLATE, SHOWER TRIM MIX SERIES	1
2	11003	SLEEVE MOUNT, WALL MT WIDESPREAD	1
3	3-792	CROSS HANDLE, ESCUTCHEON, W/ SQUARE POST ASSY	1
3.1	10937/00	ESCUTCHEON, HANDLE EDGE SERIES	1
3.2	12300/00	HANDLE CROSS, CONTEMPORARY 16PT	1
3.3	92176	WEAR WASHER	1
3.4	12271	SQUARE POST MODERN HUB	1
3.5	92005	SET SCREW, CUP PT 6-32 UNC THREAD 3/16" L	1
3.6	92008	SET SCREW, CUP POINT 8-32, 3/16" L.	1
3.7	92013	SCREW, SOCKET HD CAP 8-32 THREAD, 3/8" LENGTH	1
4	90029	O-RING, 1-5/8"ID X 1-3/4"OD X 1/16"THK, AS-568-029	1



REVISIONS				
ZONE	REV.	DESCRIPTION	DATE	APPROVED

1261 LOGAN AVENUE
COSTA MESA, CALIFORNIA 92626
PHONE: 714.361.4800
FAX: 714.617.3120

PHYL RICH[®]
Defining Luxury Since 1959

PROPRIETARY AND CONFIDENTIAL
THE INFORMATION CONTAINED IN THIS DRAWING IS THE SOLE PROPERTY OF PHYL RICH. ANY REPRODUCTION IN PART OR AS A WHOLE WITHOUT THE WRITTEN PERMISSION OF PHYL RICH IS PROHIBITED.
DO NOT SCALE DRAWING

PB PLATE, CROSS HANDLE, CROI SERIES

SIZE A	ASM/PRT NO. 4-724/00	REV
SCALE: 1:2	WEIGHT: lbs.	SHEET 1 OF 2