

4-723



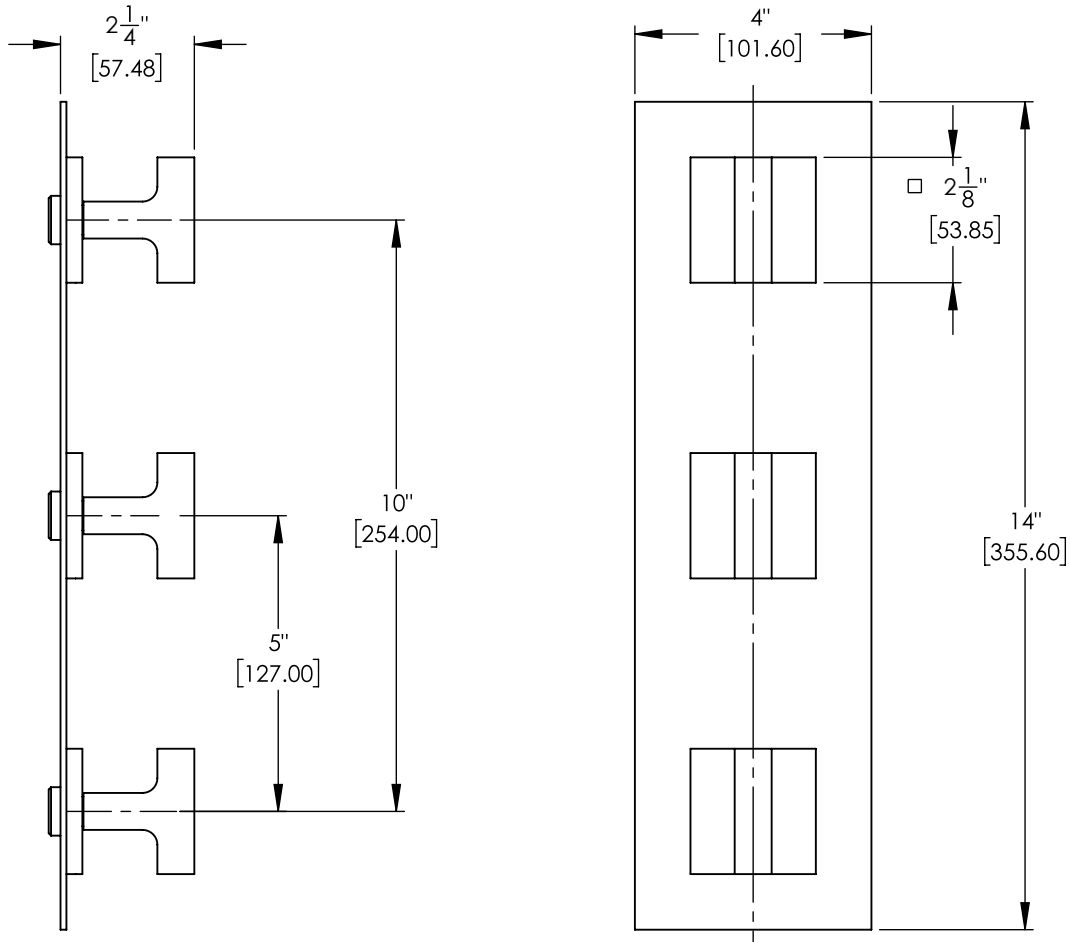
■ **PRODUCT FEATURES**

- Style: Contemporary
- Collection: Croi
- Temperature Controlled Thermostatic
- Lever Handle
- 
- 

■ **TECHNICAL DETAILS**

ADA Compliance: Yes  
 Access Hole: 3" x 13"  
 Number of Handles: 3  
 Handle Spread 5"  
 Top Handle Turn Angle: Quarter Turn  
 Bottom Handle Turn Angle: 115°  
 Installation Type: Wall Mounted  
 Primary Material: Brass  
 Valve Material: Ceramic

■ **PRODUCT DIMENSIONS**



[www.phylrich.com](http://www.phylrich.com)

1261 Logan Avenue, Costa Mesa, California 92626.  
 Phone: 714.361.4800 Fax: 714.617.3120

Rev-



**CODES & STANDARDS**

ASME A112.181/ CSA B1251, ASME 112.18.2/ CSA B125.2, ANSI NSF, CEC

**WARRANTY**

Mechanical Warranty: 10 Years from date of purchase.  
 Finish Warranty: See catalog for further information.