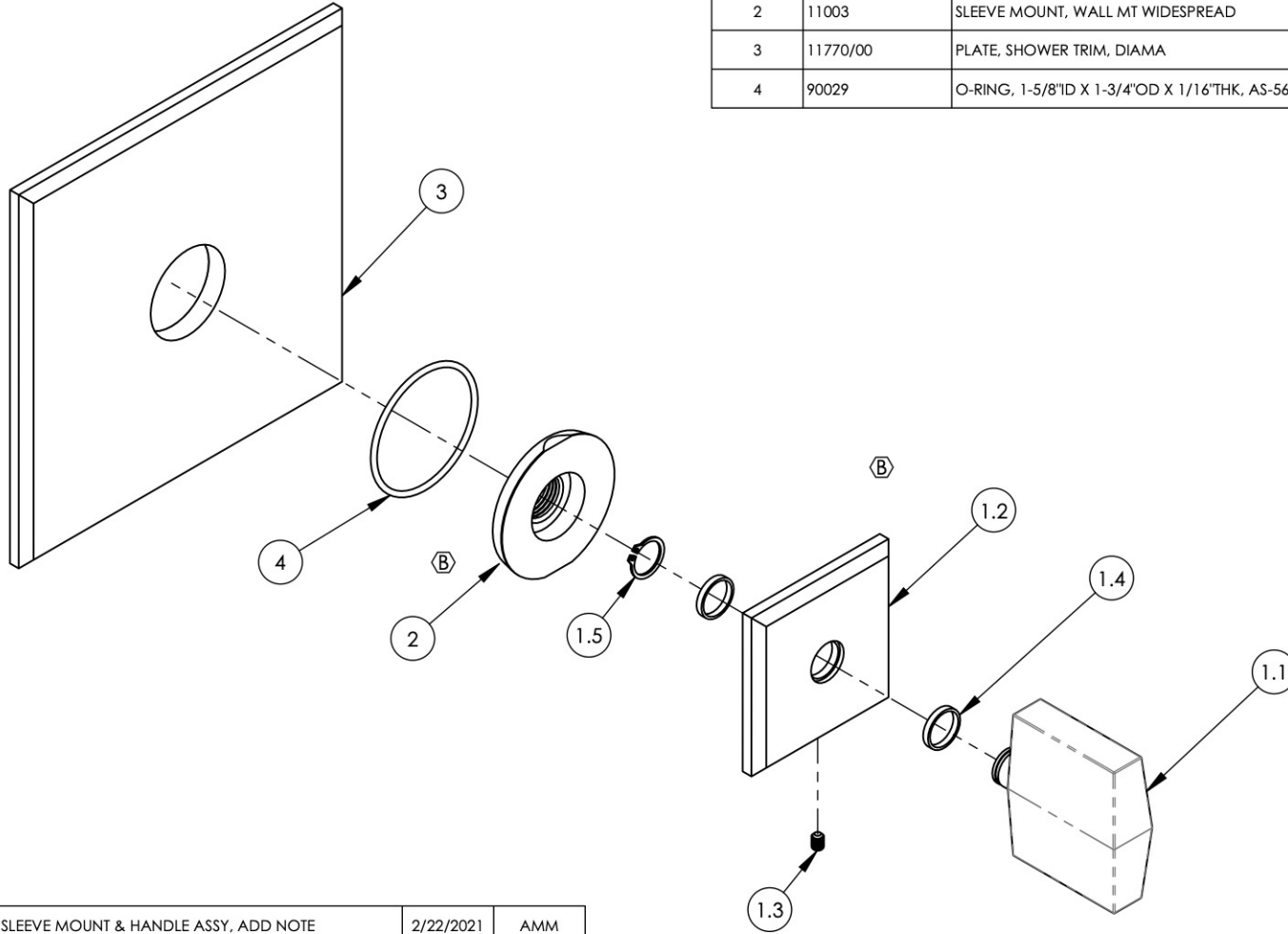


- NOTE(S):
 1. PART NUMBER, "/00" DENOTES PART SHALL HAVE FINISH.
 2. APPLY NSF COMPLIANT GREASE TO ANY O-RING, SEALING JOINTS, AND/OR PIVOTAL POINTS. **(G)**
 3. APPLY NSF COMPLIANT LOCTITE TO THREADED AREA. **(L)**
 4. APPLY NSF COMPLIANT REMOVABLE (BLUE) LOCTITE TO THREADED AREA. **(B)**
 5. SILVER SOLDER JOINTS SHALL BE FULLY WETTED VIA CAPILLARY ACTION AND COMPLETELY NON-POROUS. **(S)**
 6. FOR DEEPEER ESCUTCHEON:
 • 3-601/00
 • 92401 **(B)**

ITEM NO.	PART NUMBER	DESCRIPTION	QTY.
1	3-595/00	ASSY, BLADE HANDLE, DIAMA	1
1.1	11762/00	BLADE HANDLE, DIAMA	1
1.2	11764/00	ESCUTCHEON, HANDLE, DIAMA	1
1.3	92005	SET SCREW, CUP PT 6-32 UNC THREAD 3/16"L	1
1.4	92176	WEAR WASHER	2
1.5	92177	RETAINING RING, 7/16" SHAFT	1
2	11003	SLEEVE MOUNT, WALL MT WIDESPREAD	1
3	11770/00	PLATE, SHOWER TRIM, DIAMA	1
4	90029	O-RING, 1-5/8"ID X 1-3/4"OD X 1/16"THK, AS-568-029	1



ALL	B	UPDATE SLEEVE MOUNT & HANDLE ASSY, ADD NOTE	2/22/2021	AMM
ZONE	REV.	DESCRIPTION	DATE	APPROVED
REVISIONS				

1261 LOGAN AVENUE
 COSTA MESA, CALIFORNIA 92626
 PHONE: 714.361.4800
 FAX: 714.617.3120

PHYL RICH[®]
 Defining Luxury Since 1959

PROPRIETARY AND CONFIDENTIAL
 THE INFORMATION CONTAINED IN THIS DRAWING IS THE SOLE PROPERTY OF PHYL RICH. ANY REPRODUCTION IN PART OR AS A WHOLE WITHOUT THE WRITTEN PERMISSION OF PHYL RICH IS PROHIBITED.
DO NOT SCALE DRAWING

SHOWER PLATE, BLADE HANDLE, TRIM ONLY, DIAMA

SIZE A	ASM/PRT NO. 4-559/00	REV B
SCALE: 1:2	WEIGHT: lbs.	SHEET 1 OF 2