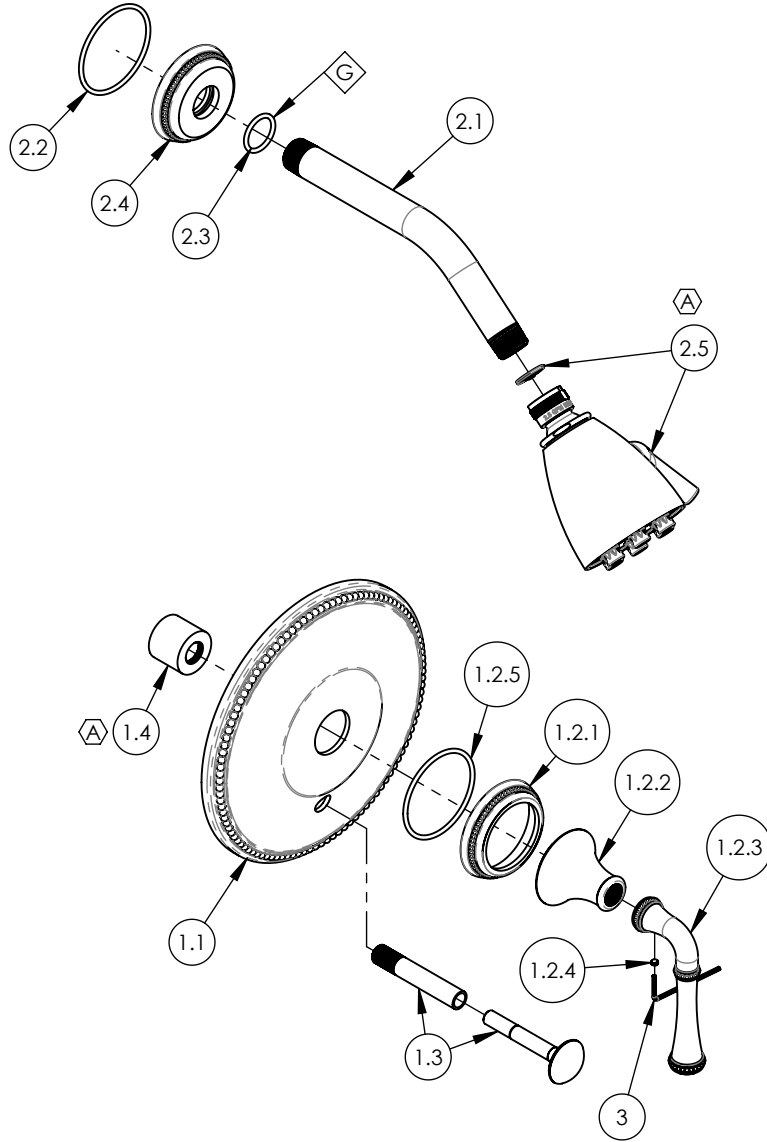


NOTE(S):
 1. APPLY NSF COMPLIANT GREASE TO ANY O-RING, SEALING JOINTS, AND/OR PIVOTAL POINTS.



ITEM NO.	PART NUMBER	DESCRIPTION	QTY.
1	4-129/00	PRESSURE BALANCE SHOWER PLATE W/ DIVERTER & HANDLE TRIM SET	1
1.1	P17018/00	PLATE, BEADED FOR PRESSURE BALANCE	1
1.2	3-311/00	LEVER HANDLE, BEADED SERIES	1
1.2.1	10973/00	ESCUTCHEON, BEADED HANDLE	1
1.2.2	10972/00	HUB, TRANSITIONAL 3RING	1
1.2.3	10971/00	HANDLE, BEADED LEVER 3RING	1
1.2.4	92163	SET SCREW, CONE PT 8-32 X 1/8"L	1
1.2.5	90138	O-RING, 2 1/8"ID X 3/32"THK., AS-568-138	1
1.3	3-125/00	EXTENSION ASSY FOR PB TUB & SHOWER SET	1
1.4	11087	SLEEVE FOR PB-THERM PLATE	1
2	4-132/00	SMOOTH SHOWER HEAD W/8" ARM, BEADED FLANGE, BEADED SERIES	1
2.1	P16008/00	SHOWER ARM (8 INCH)	1
2.2	90138	O-RING, 2 1/8"ID X 3/32"THK., AS-568-138	1
2.3	90117	O-RING, 7/8"ID X 33/32"THK., AS-568-117	1
2.4	11114/00	SHOWER FLANGE, BEADED SERIES	1
2.5	3-018/00	SHOWERHEAD SIX JET	1
3	P39001	HEX KEY 5/64, FOR 8-32 SET SCREW	1

ZONE	REV.	DESCRIPTION	DATE	APPROVED
A		UPDATE TEMPLATE & SUBASSYS, SEPARATE HEX KEY FROM SUB	4/7/2020	AMM
REVISIONS				

1261 LOGAN AVENUE
 COSTA MESA, CALIFORNIA 92626
 PHONE: 714.361.4800
 FAX: 714.617.3120

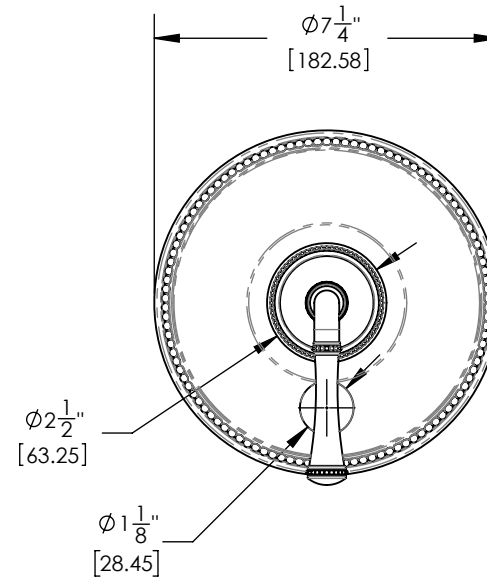
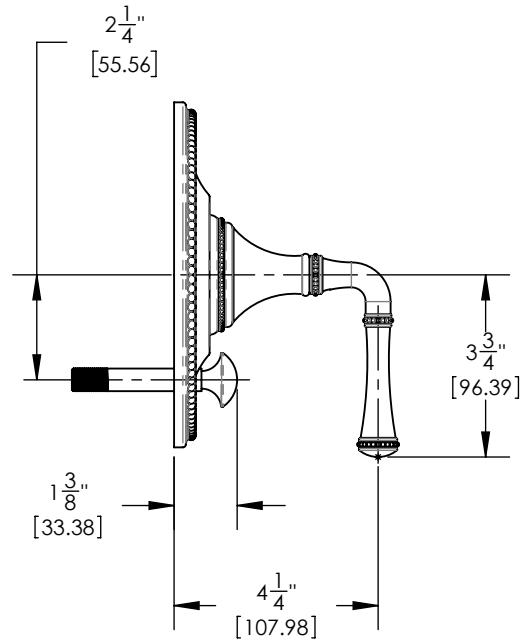
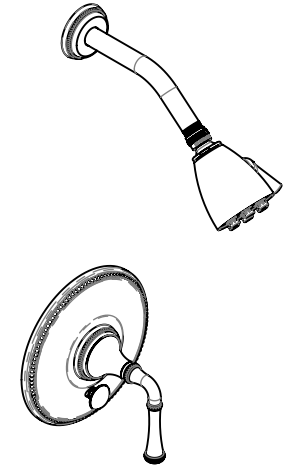
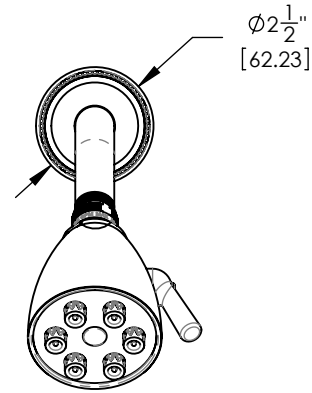
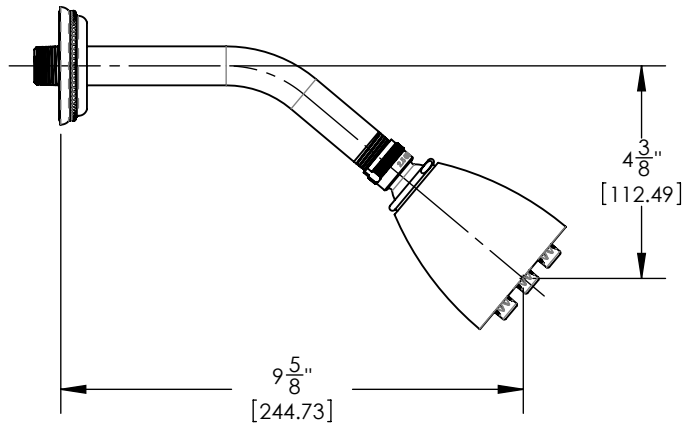
PHYLIRICH[®]
 Defining Luxury Since 1959

PROPRIETARY AND CONFIDENTIAL
 THE INFORMATION CONTAINED IN THIS DRAWING IS THE SOLE PROPERTY OF PHYLIRICH. ANY REPRODUCTION IN PART OR AS A WHOLE WITHOUT THE WRITTEN PERMISSION OF PHYLIRICH IS PROHIBITED.

-	-	INTERPRET GEOMETRIC DIMENSIONING & TOLERANCING IN ACCORDANCE WITH ASME Y14.5-2009 & ASME Y14.41-2003 STANDARDS, UNLESS OTHERWISE SPECIFIED. DIMENSIONS ARE IN INCHES. TOLERANCES ARE:		
NEXT ASSY	USED ON	FRACTIONS ±1/16"	DECIMALS X.X: ±.1 X.XX: ±.01 X.XXX: ±.005	ANGULAR ±2°
APPLICATION		MATERIAL	NAME	DATE
FINISH		DRAWN	LLO	10/2/2015
DO NOT SCALE DRAWING		CHECKED	GRE	

PRESSURE BALANCE SHOWER & DIVERTER SET (LESS SPOUT)

SIZE	ASM/PRT NO.	REV
A	4-481/00	A
SCALE: 1:4.5	WEIGHT: lbs.	SHEET 1 OF 2



1261 LOGAN AVENUE
COSTA MESA, CALIFORNIA 92626
PHONE: 714.361.4800
FAX: 714.617.3120

PHYLIRICH[®]
Defining Luxury Since 1959

PROPRIETARY AND CONFIDENTIAL
THE INFORMATION CONTAINED IN THIS DRAWING IS THE SOLE PROPERTY OF PHYLIRICH. ANY REPRODUCTION IN PART OR AS A WHOLE WITHOUT THE WRITTEN PERMISSION OF PHYLIRICH IS PROHIBITED.
DO NOT SCALE DRAWING

PRESSURE BALANCE SHOWER & DIVERTER SET (LESS SPOUT)

SIZE A	ASM/PRT NO. 4-481/00	REV A
SCALE: 1:4	WEIGHT: lbs.	SHEET 2 OF 2