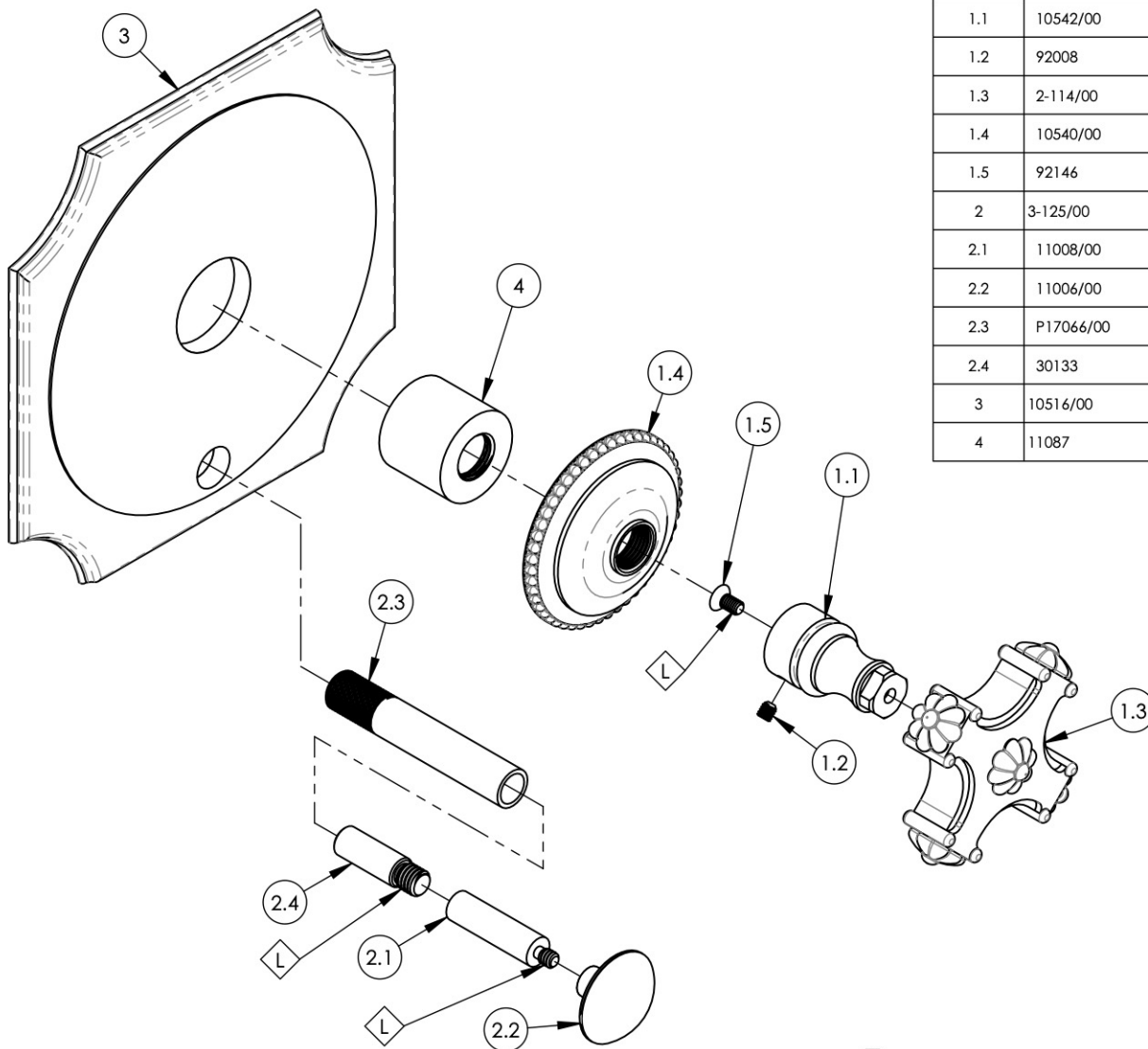


NOTE(S):  
 1. APPLY NSF COMPLIANT LOCTITE TO THREADED AREA. L



ITEM NO.	PART NUMBER	DESCRIPTION	QTY.
1	3-029/00	CROSS HANDLE, MARVELLE SERIES	1
1.1	10542/00	BASE HANDLE, CROSS MARVELLE	1
1.2	92008	SET SCREW, CUP POINT 8-32, 3/16" L.	2
1.3	2-114/00	SUB-ASSY. HANDLE CROSS, MARVELLE SERIES	1
1.4	10540/00	ESCUTCHEON, MARVELLE SERIES	1
1.5	92146	SCREW, FLAT HD. 8-32 x 5/16"L	1
2	3-125/00	DIVERTER EXTENSION ASSY FOR PB TUB & SHOWER SET	1
2.1	11008/00	DIVERTED STEM FOR PB PLATE	1
2.2	11006/00	PULL KNOB, DIVERTER, 10-24	1
2.3	P17066/00	EXTENSION SLEEVE, STEM, PB TUB & SHOWER SET	1
2.4	30133	EXTENSION, THEAD NUT ADAPTOR	1
3	10516/00	TRIM PLATE DIVERTED, FRENCH TRAD. PB/THERMO	1
4	11087	SLEEVE FOR PB-THERM PLATE	1

ZONE	REV.	DESCRIPTION	DATE	APPROVED
A3, A1	C	UPDATE DWG NAME, ADD WHERE USED	9/29/2020	AMM
REVISIONS				

1261 LOGAN AVENUE  
 COSTA MESA, CALIFORNIA 92626  
 PHONE: 714.361.4800  
 FAX: 714.617.3120

**PHYLIRICH**<sup>®</sup>  
 Defining Luxury Since 1959

**PROPRIETARY AND CONFIDENTIAL**  
 THE INFORMATION CONTAINED IN THIS DRAWING IS THE SOLE PROPERTY OF PHYLIRICH. ANY REPRODUCTION IN PART OR AS A WHOLE WITHOUT THE WRITTEN PERMISSION OF PHYLIRICH IS PROHIBITED.

APPLICATION	USED ON	FRACTIONS	DECIMALS	ANGULAR
		±1/16"	X.X: ±.1 X.XX: ±.01 X.XXX: ±.005	±2°
MATERIAL			NAME	DATE
FINISH		DRAWN	LLO	10/15/2015
		CHECKED	GRE	

**DO NOT SCALE DRAWING**

**SHOWER TRIM PLATE, PB DIVERTED,  
 CROSS HANDLE, MARVELLE**

SIZE	ASM/PRT NO.	REV
<b>A</b>	4-479/00	<b>C</b>

SCALE: 1:2      WEIGHT: lbs.      SHEET 1 OF 2