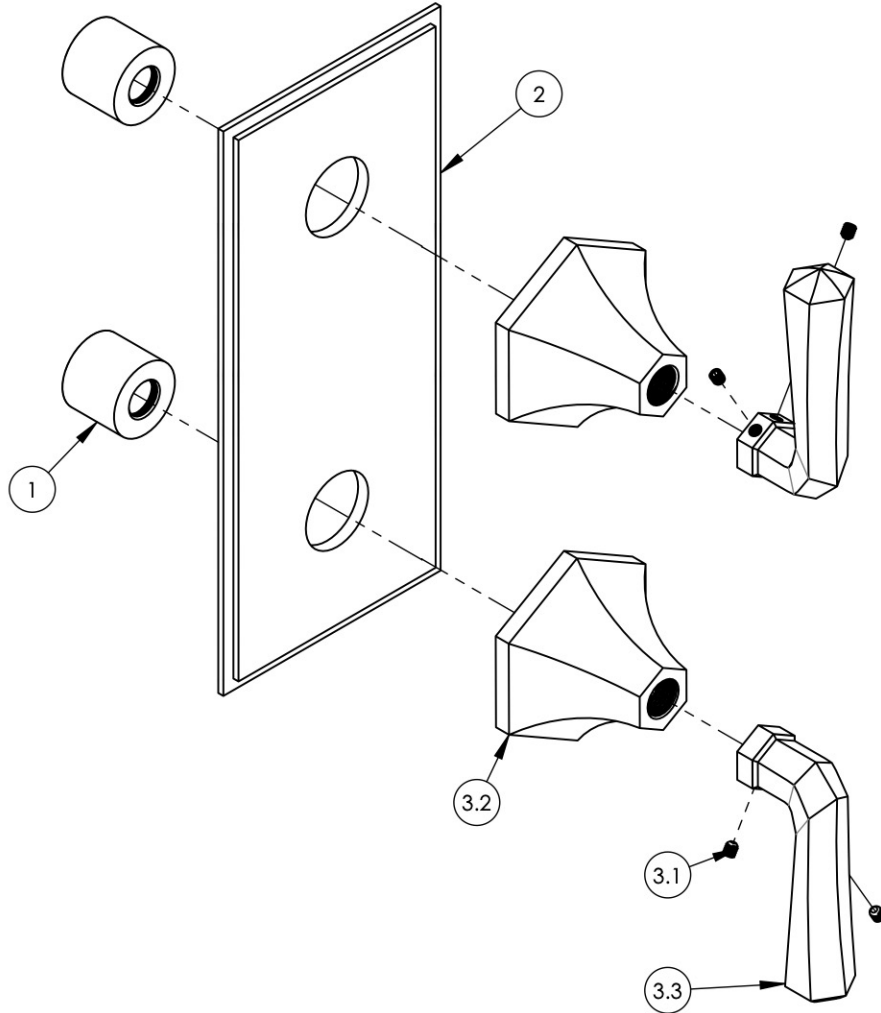


NOTE(S):  
 1. PART NUMBER, "/00" DENOTES PART SHALL HAVE FINISH.

ITEM NO.	PART NUMBER	DESCRIPTION	QTY.
1	11087	SLEEVE FOR PB-THERM PLATE	2
2	11203/00	TRIM PLATE, TWO HANDLE, HEX MODERN	1
3	3-239/00	LEVER HANDLE, LE VERRE & LA CROSSE	2
3.1	92008	SET SCREW, CUP POINT 8-32, 3/16" L.	2
3.2	P02020/00	ESCUTCHEON, COVER PLATE K170&K171	1
3.3	P01024/00	K170 HANDLE	1



ZONE	REV.	DESCRIPTION	DATE	APPROVED
REVISIONS				

1261 LOGAN AVENUE  
 COSTA MESA, CALIFORNIA 92626  
 PHONE: 714.361.4800  
 FAX: 714.617.3120

**PHYLIRICH®**  
 Defining Luxury Since 1959

**PROPRIETARY AND CONFIDENTIAL**  
 THE INFORMATION CONTAINED IN THIS DRAWING IS THE SOLE PROPERTY OF PHYLIRICH. ANY REPRODUCTION IN PART OR AS A WHOLE WITHOUT THE WRITTEN PERMISSION OF PHYLIRICH IS PROHIBITED.

-	-	INTERPRET GEOMETRIC DIMENSIONING & TOLERANCING IN ACCORDANCE WITH ASME Y14.5-2009 & ASME Y14.41-2003 STANDARDS, UNLESS OTHERWISE SPECIFIED. DIMENSIONS ARE IN INCHES. TOLERANCES ARE:		
NEXT ASSY	USED ON	<b>FRACTIONS</b> ±1/16"	<b>DECIMALS</b> X.X: ±.1 X.XX: ±.01 X.XXX: ±.005	<b>ANGULAR</b> ±2°
APPLICATION		MATERIAL	NAME	DATE
FINISH		DRAWN	AMM	6/15/2020
<b>DO NOT SCALE DRAWING</b>		CHECKED		

1/2" MINI THERM, TRIM, 2 HANDLE, LEVER, LE VERRE & LA CROSSE

SIZE	ASM/PRT NO.	REV
<b>A</b>	4-386/00	

SCALE: 1:2.5      WEIGHT: lbs.      SHEET 1 OF 2