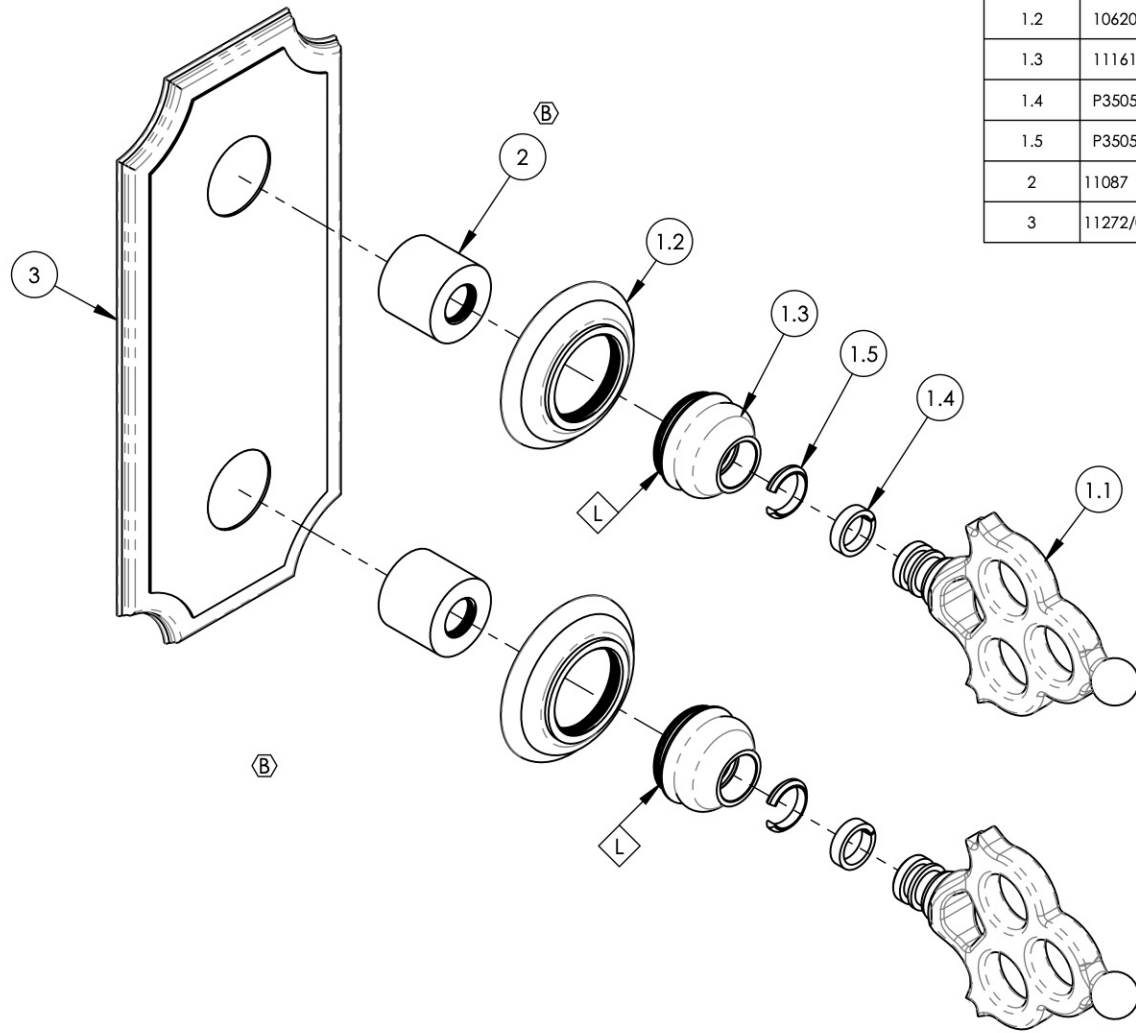


NOTE(S):

- 1. APPLY NSF COMPLIANT LOCTITE TO THREADED AREA. L

ITEM NO.	PART NUMBER	DESCRIPTION	QTY.
1	3-328/00	FLAT HANDLE, TRADITIONAL	2
1.1	11159/00	HANDLE FLAT CROWN, TRADITIONAL	1
1.2	10620/00	ESCUTCHEON, TRADITIONAL RT 1-1/4"-20	1
1.3	11161/00	BASE HANDLE, TRADITIONAL	1
1.4	P35053	WEAR WASHER, WAVELAND HANDLE	1
1.5	P35052	SNAP WASHER, WAVELAND HANDLE	1
2	11087	SLEEVE FOR PB-THERM PLATE	2
3	11272/00	TRIM PLATE, THERM. CONTROL W/ DIVERTER	1



ALL	B	UPDATE TEMPLATE, SLEEVE MNTS, DWG NAME, ADD CALL OUTS, REMOVE TAPE	7/31/2020	AMM
ZONE	REV.	DESCRIPTION	DATE	APPROVED
REVISIONS				

1261 LOGAN AVENUE
COSTA MESA, CALIFORNIA 92626
PHONE: 714.361.4800
FAX: 714.617.3120

PHYL RICH[®]
Defining Luxury Since 1959

PROPRIETARY AND CONFIDENTIAL
THE INFORMATION CONTAINED IN THIS DRAWING IS THE SOLE PROPERTY OF PHYL RICH. ANY REPRODUCTION IN PART OR AS A WHOLE WITHOUT THE WRITTEN PERMISSION OF PHYL RICH IS PROHIBITED.

-		INTERPRET GEOMETRIC DIMENSIONING & TOLERANCING IN ACCORDANCE WITH ASME Y14.5-2009 & ASME Y14.41-2003 STANDARDS, UNLESS OTHERWISE SPECIFIED. DIMENSIONS ARE IN INCHES. TOLERANCES ARE:		
NEXT ASSY	USED ON	FRACTIONS ±1/16"	DECIMALS X.X: ±.1 X.XX: ±.01 X.XXX: ±.005	ANGULAR ±2°
APPLICATION		NAME	DATE	
MATERIAL		DRAWN	LLO	11/4/2015
FINISH		CHECKED	GRE	
DO NOT SCALE DRAWING				

1/2" MINI THERM. VALVE W/ VOLUME CONTROL OR DIV., BLADE HANDLES, MAISON

SIZE	ASM/PRT NO.	REV
A	4-311/00	B
SCALE: 1:2.5	WEIGHT: lbs.	SHEET 1 OF 2