

5

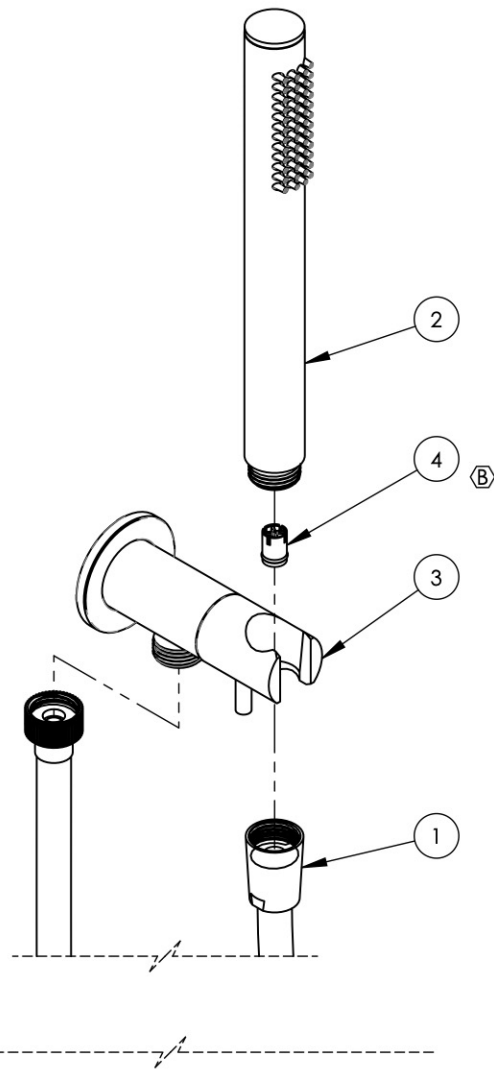
4

3

2

1

ITEM NO.	PART NUMBER	DESCRIPTION	QTY.
1	3-049/00	ASSY. HOSE KIT, HANDSHOWER	1
2	3-471/00	ASSY. ROUND HANDSHOWER, CONTEMPORARY	1
3	6009/00	ASSY. HANDSHOWER OUTLET SUPPLY AND HOLDER	1
4	11539	CHECK-RESTRICTOR, 1.75GPM 10MM, CV10FR	1



ZONE	REV.	DESCRIPTION	DATE	APPROVED
C3	B	ADDITIONAL INFORMATION ON FLOW RESTRICTOR & CHECK VALVE	1/23/2020	MAF
REVISIONS				

1261 LOGAN AVENUE  
COSTA MESA, CALIFORNIA 92626  
PHONE: 714.361.4800  
FAX: 714.617.3120

**PHYL RICH**<sup>®</sup>  
Defining Luxury Since 1959

**PROPRIETARY AND CONFIDENTIAL**  
THE INFORMATION CONTAINED IN THIS DRAWING IS THE SOLE PROPERTY OF PHYL RICH. ANY REPRODUCTION IN PART OR AS A WHOLE WITHOUT THE WRITTEN PERMISSION OF PHYL RICH IS PROHIBITED.

-	-	INTERPRET GEOMETRIC DIMENSIONING & TOLERANCING IN ACCORDANCE WITH ASME Y14.5-2009 & ASME Y14.41-2003 STANDARDS, UNLESS OTHERWISE SPECIFIED. DIMENSIONS ARE IN INCHES. TOLERANCES ARE:		
NEXT ASSY	USED ON	<b>FRACTIONS</b> ±1/16"	<b>DECIMALS</b> X.X: ±.1 X.XX: ±.01 X.XXX: ±.005	<b>ANGULAR</b> ±2°
APPLICATION		MATERIAL	NAME	DATE
FINISH		DRAWN	3/11/2015	
<b>DO NOT SCALE DRAWING</b>		CHECKED	GRE	

**HAND SHOWER W/VOLUME CONTROL KIT, WALL MOUNT**

SIZE	ASM/PRT NO.	REV
<b>A</b>	4-204/00	<b>B</b>
SCALE: 1:3	WEIGHT: lbs.	SHEET 1 OF 2

5

4

3

2

1