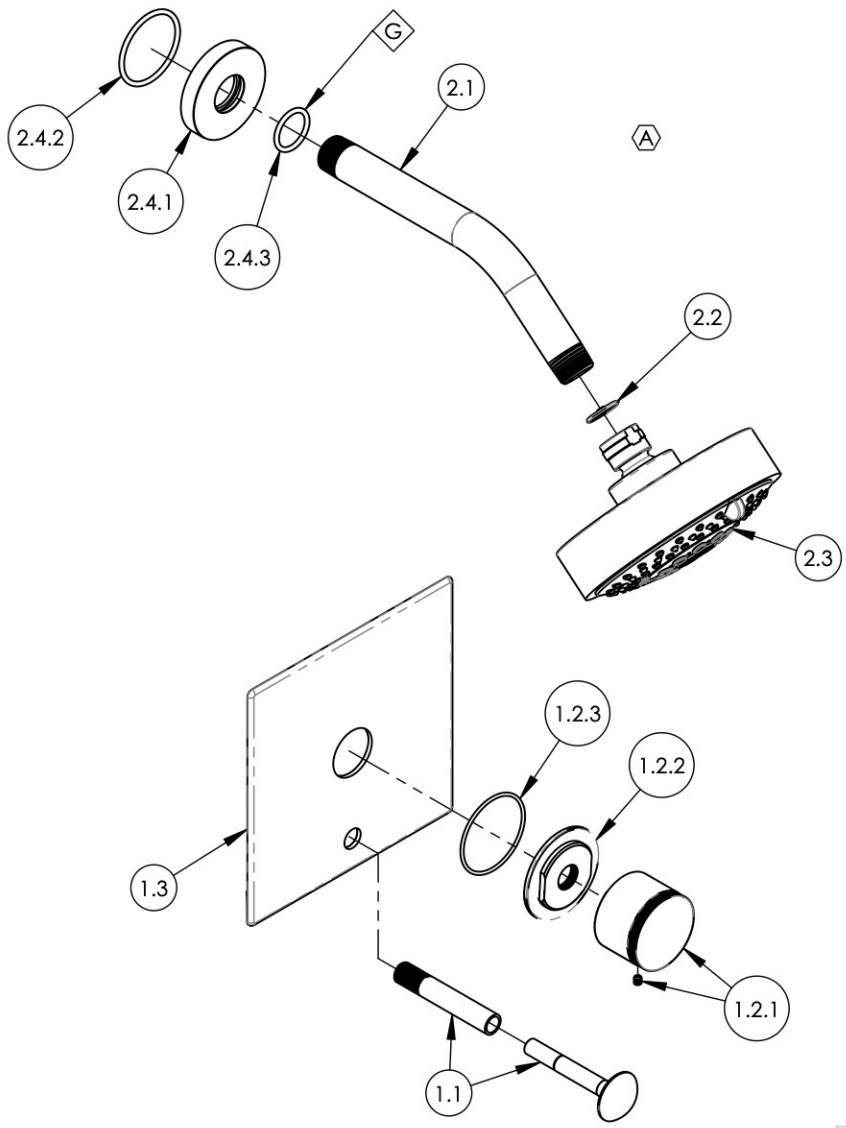


NOTE(S):
 1. APPLY NSF COMPLIANT GREASE TO ANY O-RING, SEALING JOINTS, AND/OR PIVOTAL POINTS.



ITEM NO.	PART NUMBER	DESCRIPTION	QTY.
1	4-200/00	PRESSURE BALANCE SHOWER PLATE W/DIVERTER & HANDLE TRIM SET, KNURLED HANDLE, BASIC II SERIES	1
1.1	3-125/00	EXTENSION ASSY FOR PB TUB & SHOWER SET	1
1.2	3-329/00	SUB ASSY. KNURLED HANDLE, BASIC II	1
1.2.1	2-247/00	HANDLE KNURLED, BASIC II	1
1.2.2	11164/00	ESCUTCHEON BASE, CONTEMP. BASIC II	1
1.2.3	90031	O-RING, 1-3/4"ID X 1/16"THK, AS-568-031	1
1.3	10959/00	SHOWER TRIM PLATE W/ DIVERTER HOLE, MIX SERIES	1
2	4-570/00	CONTEMPORARY MULTI. SHOWER HEAD W/ FLANGE, ROND	1
2.1	P16008/00	SHOWER ARM (8 INCH)	1
2.2	11432	1.75 GPM FLOW REGULATOR	1
2.3	3-454/00	SHOWER HEAD MULTI. FUNC. CONTEMP.	1
2.4	3-700/00	ESCUTCHEON FLANGE, SHOWER ARM, CONTEMPORARY, ROUND	1
2.4.1	P16019/00	BASE SHOWER FLANGE, BASIC SERIES	1
2.4.2	90129	O-RING, 1-9/16"ID X 3/32THK, AS-568-129	1
2.4.3	90117	O-RING, 7/8"ID X 33/32"THK., AS-568-117	1

ALL	REV.	DESCRIPTION	DATE	APPROVED
A		UPDATE TEMPLATE, ADD SHOWER ASSY, REMOVE TAPE, ADD CALL OUTS, ADD "SQUARE PLATE" TO DWG NAME	5/4/2020	AMM
REVISIONS				

1261 LOGAN AVENUE
 COSTA MESA, CALIFORNIA 92626
 PHONE: 714.361.4800
 FAX: 714.617.3120

PHYLIRICH®

Defining Luxury Since 1959

PROPRIETARY AND CONFIDENTIAL
 THE INFORMATION CONTAINED IN THIS DRAWING IS THE SOLE PROPERTY OF PHYLIRICH. ANY REPRODUCTION IN PART OR AS A WHOLE WITHOUT THE WRITTEN PERMISSION OF PHYLIRICH IS PROHIBITED.

-		INTERPRET GEOMETRIC DIMENSIONING & TOLERANCING IN ACCORDANCE WITH ASME Y14.5-2009 & ASME Y14.41-2003 STANDARDS, UNLESS OTHERWISE SPECIFIED. DIMENSIONS ARE IN INCHES. TOLERANCES ARE:		
-		FRACTIONS ±1/16"	DECIMALS X.X: ±.1 X.XX: ±.01 X.XXX: ±.005	ANGULAR ±2°
NEXT ASSY		USED ON		
APPLICATION				
MATERIAL		NAME DATE		
FINISH		DRAWN	11/11/2015	
DO NOT SCALE DRAWING		CHECKED	LLO	

PRESSURE BALANCE SHOWER & DIVERTER SET, KNURLED HANDLE, SQUARE PLATE, BASIC II SERIES

SIZE	ASM/PRT NO.	REV
A	4-192/00	A

SCALE: 1:4 WEIGHT: lbs. SHEET 1 OF 2