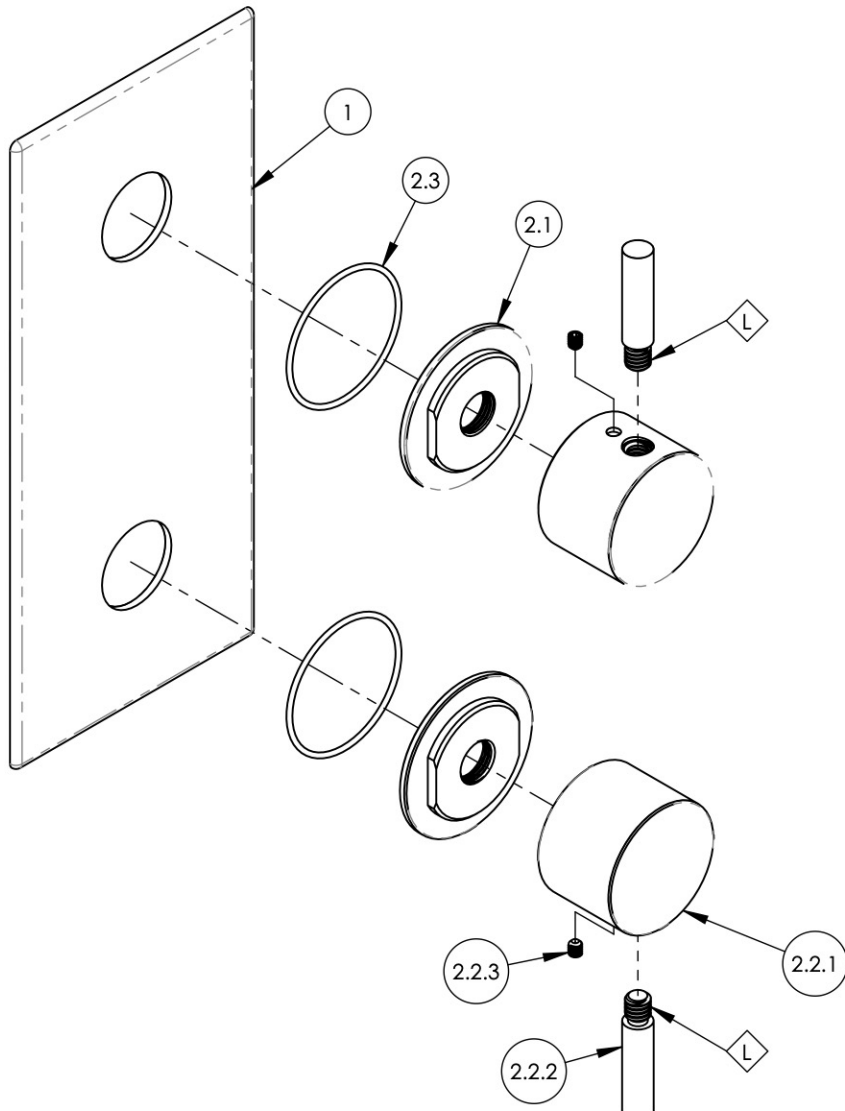


NOTE(S):

1. APPLY NSF COMPLIANT LOCTITE TO THREADED AREA. L



ITEM NO.	PART NUMBER	DESCRIPTION	QTY.
1	11204/00	PLATE, TWO HANDLE FLAT RADII EDGE	1
2	3-339/00	SUB ASSY. LEVER HANDLE, BASIC II	2
2.1	11164/00	ESCUTCHEON BASE, CONTEMP. BASIC II	1
2.2	2-249/00	HANDLE LEVER, BASIC II	1
2.2.1	11167/00	BASE HANDLE, CONTEMP. BASIC II	1
2.2.2	11168/00	HANDLE LEVER, CONTEMP. BASIC II	1
2.2.3	92008	SET SCREW, CUP POINT 8-32, 3/16" L.	1
2.3	90031	O-RING, 1-3/4"ID X 1/16"THK, AS-568-031	1

ALL	A	UPDATE TEMPLATE, EXPLODE VIEW MORE, REMOVE TAPE, ADD CALL OUTS	4/30/2020	AMM
ZONE	REV.	DESCRIPTION	DATE	APPROVED
REVISIONS				

1261 LOGAN AVENUE
COSTA MESA, CALIFORNIA 92626
PHONE: 714.361.4800
FAX: 714.617.3120

PHYL RICH[®]
Defining Luxury Since 1959

PROPRIETARY AND CONFIDENTIAL
THE INFORMATION CONTAINED IN THIS DRAWING IS THE SOLE PROPERTY OF PHYL RICH. ANY REPRODUCTION IN PART OR AS A WHOLE WITHOUT THE WRITTEN PERMISSION OF PHYL RICH IS PROHIBITED.

-	-	INTERPRET GEOMETRIC DIMENSIONING & TOLERANCING IN ACCORDANCE WITH ASME Y14.5-2009 & ASME Y14.41-2003 STANDARDS, UNLESS OTHERWISE SPECIFIED. DIMENSIONS ARE IN INCHES. TOLERANCES ARE:		
NEXT ASSY	USED ON	FRACTIONS ±1/16"	DECIMALS X.X: ±.1 X.XX: ±.01 X.XXX: ±.005	ANGULAR ±2°
APPLICATION		MATERIAL	NAME	DATE
FINISH		DRAWN	LLO	3/11/2015
DO NOT SCALE DRAWING		CHECKED	LLO	

1/2" MINI THERM. TRIM, 2 HANDLE, LEVER, BASIC II

SIZE	ASM/PRT NO.	REV
A	4-171/00	A

SCALE: 1:2.25 WEIGHT: lbs. SHEET 1 OF 2