

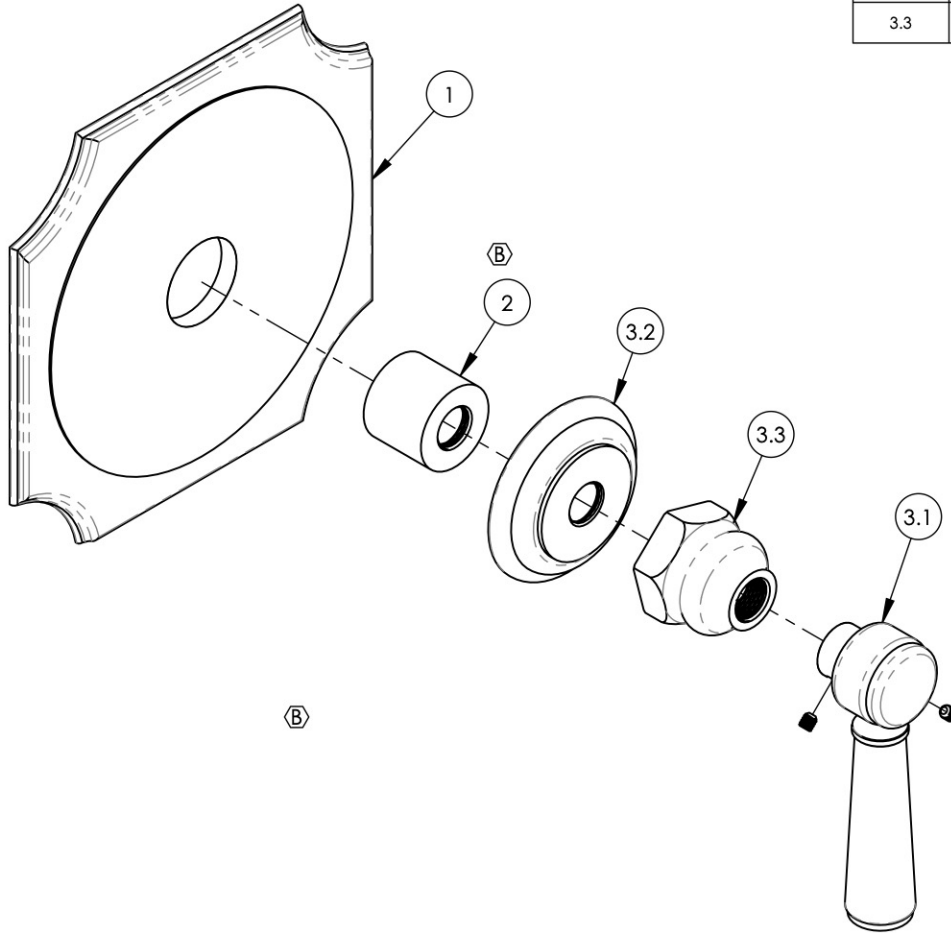
NOTE(S):

1. EXAMPLE OF SPLIT FINISH CODE:  
A. 3-402/026X030

2. AVAILABLE HANDLE STONE OPTIONS:

- A. BLACK MARBLE = 11328 (.../00X030)
- B. WHITE MARBLE = 11329 (.../00X031)
- C. SOAPSTONE = 11330 (.../00X032)

ⓑ



ITEM NO.	PART NUMBER	DESCRIPTION	QTY.
1	10515/00	TRIM PLATE, FRENCH TRAD. PB/THERMO	1
2	11087	SLEEVE FOR PB-THERM PLATE	1
3	3-373/00	MARBLE LEVER HANDLE ASSY., WALL/SHOWER	1
3.1	2-142/00	MARBLE LEVER HANDLE, 500 SERIES, HEX TRADITIONAL	1
3.2	10618/00	ESCUTCHEON, TRADITIONAL 500	1
3.3	10621/00	BASE HUB NUT	1

ALL	B	UPDATE TEMPLATE/ SLEEVE MOUNT, REMOVE HEX KEY/ TAPE, ADD NOTES FOR MARBLE	4/21/2020	AMM
ZONE	REV.	DESCRIPTION	DATE	APPROVED
REVISIONS				

1261 LOGAN AVENUE  
COSTA MESA, CALIFORNIA 92626  
PHONE: 714.361.4800  
FAX: 714.617.3120

**PHYLIRICH®**  
Defining Luxury Since 1959

**PROPRIETARY AND CONFIDENTIAL**  
THE INFORMATION CONTAINED IN THIS DRAWING IS THE SOLE PROPERTY OF PHYLIRICH. ANY REPRODUCTION IN PART OR AS A WHOLE WITHOUT THE WRITTEN PERMISSION OF PHYLIRICH IS PROHIBITED.

-	-	INTERPRET GEOMETRIC DIMENSIONING & TOLERANCING IN ACCORDANCE WITH ASME Y14.5-2009 & ASME Y14.41-2003 STANDARDS, UNLESS OTHERWISE SPECIFIED. DIMENSIONS ARE IN INCHES. TOLERANCES ARE:		
NEXT ASSY	USED ON	<b>FRACTIONS</b> ±1/16"	<b>DECIMALS</b> X.X: ±.1 X.XX: ±.01 X.XXX: ±.005	<b>ANGULAR</b> ±2°
APPLICATION		NAME	DATE	
MATERIAL		DRAWN	LLO	10/28/2015
FINISH		CHECKED	GRE	
<b>DO NOT SCALE DRAWING</b>				

**1/2" MINI THERMOSTATIC SHOWER TRIM, MARBLE LEVER HANDLES**

SIZE	ASM/PRT NO.	REV
<b>A</b>	4-159/00	<b>B</b>

SCALE: 1:2.25    WEIGHT: lbs.    SHEET 1 OF 2