

5

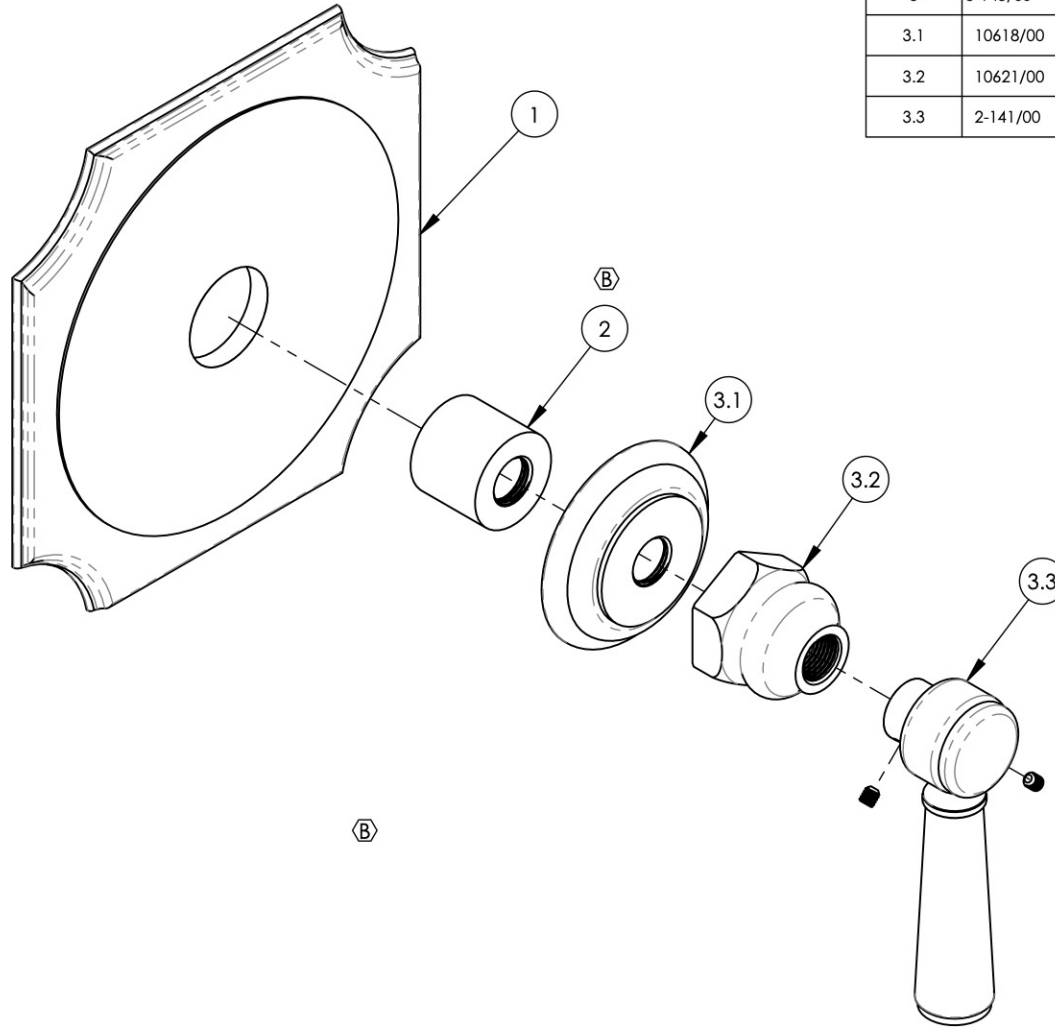
4

3

2

1

ITEM NO.	PART NUMBER	DESCRIPTION	QTY.
1	10515/00	TRIM PLATE, FRENCH TRAD. PB/THERMO	1
2	11087	SLEEVE FOR PB-THERM PLATE	1
3	3-143/00	LEVER HANDLE, WALL/SHOWER, 500 SERIES,	1
3.1	10618/00	ESCUTCHEON, TRADITIONAL 500	1
3.2	10621/00	BASE HUB NUT	1
3.3	2-141/00	SUB ASSY. LEVER HANDLE, 500 SERIES	1



ALL	B	UPDATE TEMPLATE/ CENTERING SLEEVE, REMOVE HEX KEY & TAPE	4/21/2020	AMM
ZONE	REV.	DESCRIPTION	DATE	APPROVED
REVISIONS				

1261 LOGAN AVENUE
COSTA MESA, CALIFORNIA 92626
PHONE: 714.361.4800
FAX: 714.617.3120

PHYLIRICH[®]
Defining Luxury Since 1959

PROPRIETARY AND CONFIDENTIAL

THE INFORMATION CONTAINED IN THIS DRAWING IS THE SOLE PROPERTY OF PHYLIRICH. ANY REPRODUCTION IN PART OR AS A WHOLE WITHOUT THE WRITTEN PERMISSION OF PHYLIRICH IS PROHIBITED.

-	-	INTERPRET GEOMETRIC DIMENSIONING & TOLERANCING IN ACCORDANCE WITH ASME Y14.5-2009 & ASME Y14.41-2003 STANDARDS, UNLESS OTHERWISE SPECIFIED. DIMENSIONS ARE IN INCHES. TOLERANCES ARE:		
NEXT ASSY	USED ON	FRACTIONS	DECIMALS	ANGULAR
APPLICATION		±1/16"	X.X: ±.1	±2°
MATERIAL			X.XX: ±.01	
FINISH			X.XXX: ±.005	
DO NOT SCALE DRAWING		DRAWN	NAME	DATE
		CHECKED	LLO	8/3/2015
			GRE	

**SINGLE HANDLE SHOWER TRIM,
SCALLOPED PLATE, LEVER HANDLE**

SIZE	ASM/PRT NO.	REV
A	4-158/00	B

SCALE: 1:2 WEIGHT: lbs. SHEET 1 OF 2

5

4

3

2

1