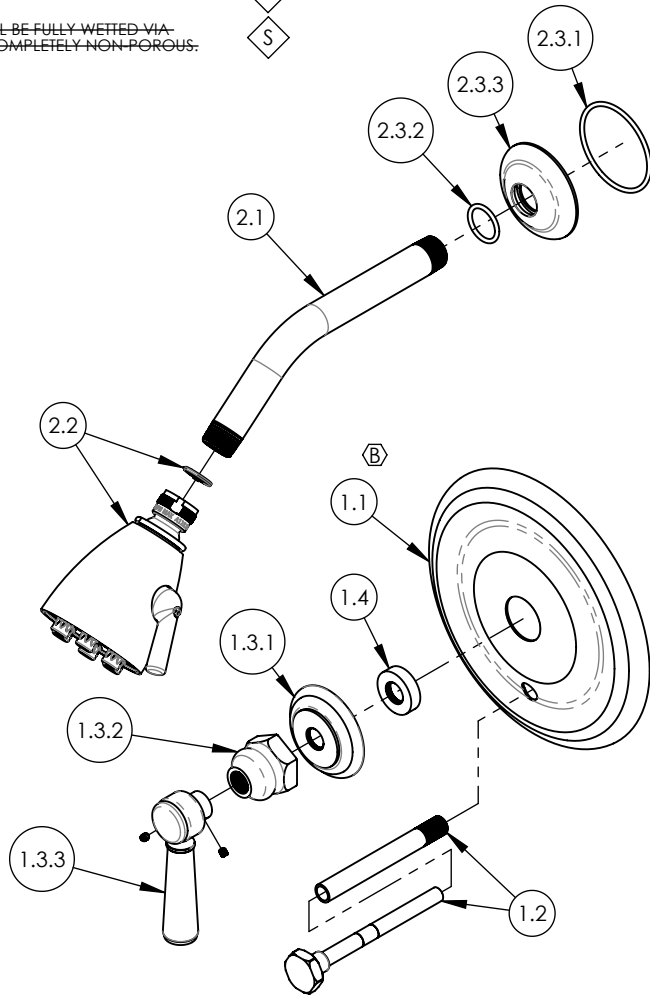


- NOTE(S):
- PART NUMBER, "/00" DENOTES PART SHALL HAVE FINISH.
 - APPLY NSF COMPLIANT GREASE TO ANY O-RING, SEALING JOINTS, AND/OR PIVOTAL POINTS.
 - APPLY NSF COMPLIANT LOCTITE TO THREADED AREA.
 - APPLY NSF COMPLIANT REMOVABLE (BLUE) LOCTITE TO THREADED AREA.
 - SILVER SOLDER JOINTS SHALL BE FULLY WETTED VIA CAPILLARY ACTION AND COMPLETELY NON-POROUS.

- G
- L
- B
- S



ITEM NO.	PART NUMBER	DESCRIPTION	QTY.
2.1	4-096/00	SHOWER TRIM PLATE, PB, DIVERTED, LEVER, HEX TRAD.	1
1.1	P17011/00	TRIM PLATE, PRESSURE BALANCE, SMOOTH, DOUBLE HOLE	1
1.2	3-322/00	DIVERTER EXTENSION FOR PB TUB & SHOWER SET, HEX	1
1.3	3-143/00	LEVER HANDLE, WALL/SHOWER, 500 SERIES,	1
1.3.1	10618/00	ESCUTCHEON, TRADITIONAL 500	1
1.3.2	10621/00	BASE HUB NUT	1
1.3.3	2-141/00	SUB ASSY. LEVER HANDLE, 500 SERIES	1
1.4	11087	SLEEVE FOR PB-THERM PLATE	1
2	4-140/00	SHOWER HEAD 8" ARM, 6 JET PLUNGER, HEX TRADITIONAL	1
2.1	P16008/00	SHOWER ARM (8 INCH)	1
2.2	3-018/00	SHOWERHEAD SIX JET	1
2.3	3-720/00	SHOWER FLANGE, REGENT	1
2.3.1	90138	O-RING, 2 1/8"ID X 3/32"THK., AS-568-138	1
2.3.2	90117	O-RING, 7/8"ID X 33/32"THK., AS-568-117	1
2.3.3	P16011/00	K803 SHOWER FLANGE	1

ZONE	REV.	DESCRIPTION	DATE	APPROVED
C4	B	TRIM PLATE UPDATED	3/31/2021	AMM
REVISIONS				

1261 LOGAN AVENUE
COSTA MESA, CALIFORNIA 92626
PHONE: 714.361.4800
FAX: 714.617.3120

PHYLIRICH[®]
Defining Luxury Since 1959

PROPRIETARY AND CONFIDENTIAL
THE INFORMATION CONTAINED IN THIS DRAWING IS THE SOLE PROPERTY OF PHYLIRICH. ANY REPRODUCTION IN PART OR AS A WHOLE WITHOUT THE WRITTEN PERMISSION OF PHYLIRICH IS PROHIBITED.
DO NOT SCALE DRAWING

SHOWER TRIM SET - PRESSURE BALANCE, DIVERTED, LESS SPOUT, LEVER, HEX TRADITIONAL

SIZE A	ASM/PRT NO. 4-152/00	REV B
SCALE: 1:4.5	WEIGHT: lbs.	SHEET 1 OF 2

5

4

3

2

1

E

E

D

D

C

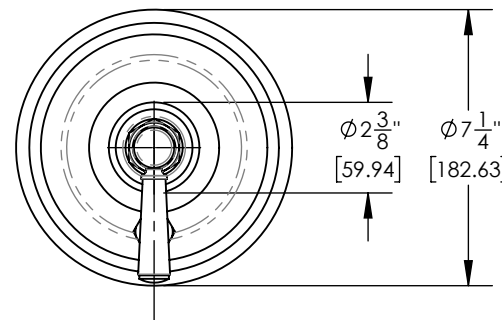
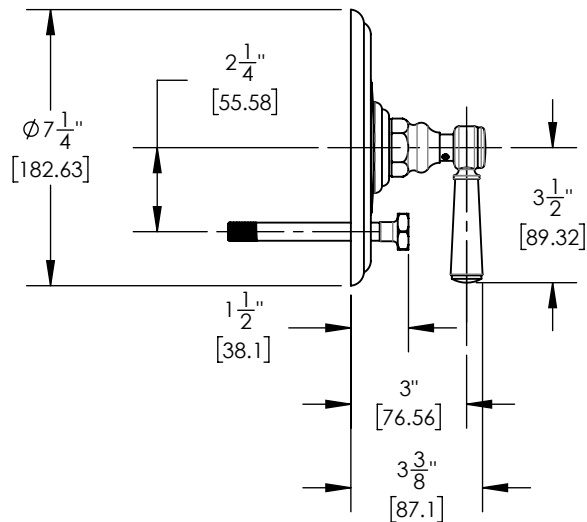
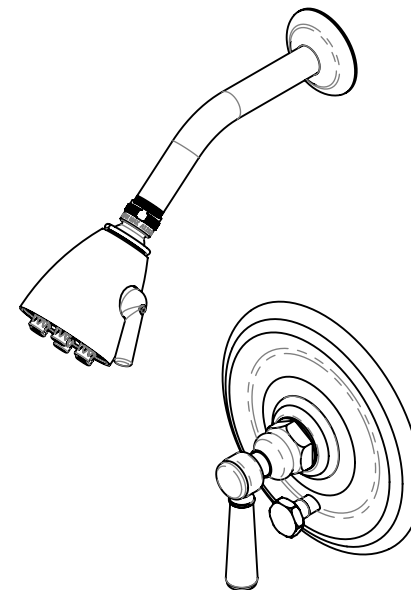
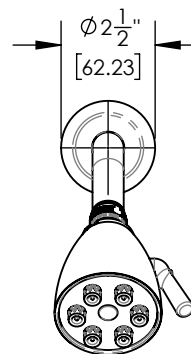
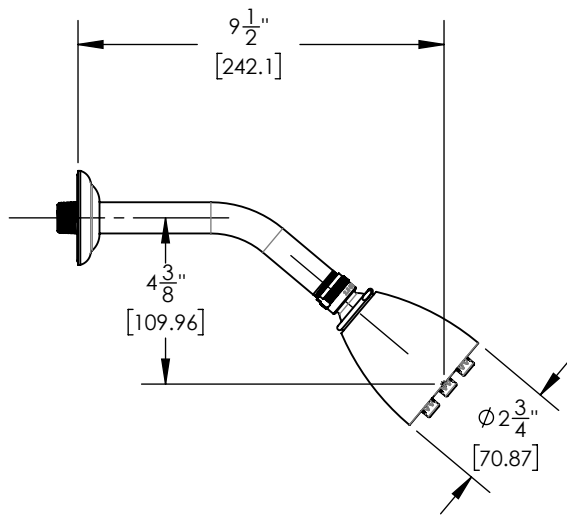
C

B

B

A

A



1261 LOGAN AVENUE
COSTA MESA, CALIFORNIA 92626
PHONE: 714.361.4800
FAX: 714.617.3120

PHYLIRICH[®]
Defining Luxury Since 1959

PROPRIETARY AND CONFIDENTIAL
THE INFORMATION CONTAINED IN THIS DRAWING IS THE SOLE PROPERTY OF PHYLIRICH. ANY REPRODUCTION IN PART OR AS A WHOLE WITHOUT THE WRITTEN PERMISSION OF PHYLIRICH IS PROHIBITED.
DO NOT SCALE DRAWING

SHOWER TRIM SET - PRESSURE BALANCE, DIVERTED, LESS SPOUT, LEVER, HEX TRADITIONAL

SIZE A	ASM/PRT NO. 4-152/00	REV B
------------------	-------------------------	----------

SCALE: 1:5	WEIGHT: lbs.	SHEET 2 OF 2
------------	--------------	--------------

5

4

3

2

1