

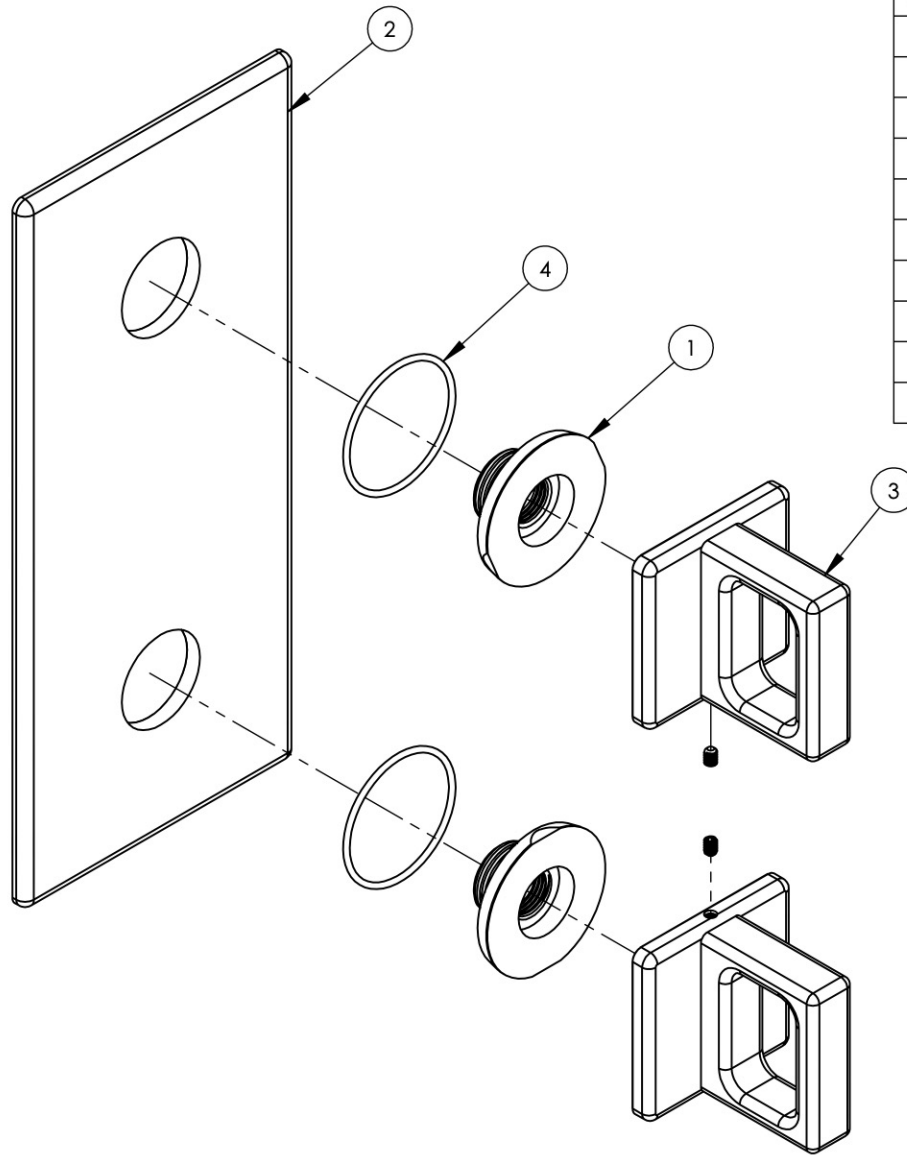
A

B

C

D

E



ITEM NO.	PART NUMBER	DESCRIPTION	QTY.
1	11003	SLEEVE MOUNT, WALL MT WIDESPREAD	2
2	11204/00	PLATE, TWO HANDLE FLAT RADII EDGE	1
3	3-103/00	ASSY, HANDLE WINDOW MIX	2
	10932/00	ESCUTCHEON, HANDLE MIX SERIES	1
	10925/00	HANDLE, RING/WINDOW MIX SERIES	1
	92176	WEAR WASHER	2
	92177	RETAINING RING, 7/16" SHAFT	1
	92005	SET SCREW, CUP PT 6-32UNC THREAD 3/16"L	1
			1
4	90029	O-RING, 1-5/8"ID X 1-3/4"OD X 1/16"THK, AS-568-029	2

ZONE	REV.	DESCRIPTION	DATE	APPROVED
		REVISIONS		

1261 LOGAN AVENUE  
COSTA MESA, CALIFORNIA 92626  
PHONE: 714.361.4800  
FAX: 714.617.3120



MANUFACTURING

**PROPRIETARY AND CONFIDENTIAL**

THE INFORMATION CONTAINED IN THIS DRAWING IS THE SOLE PROPERTY OF RSS MANUFACTURING. ANY REPRODUCTION IN PART OR AS A WHOLE WITHOUT THE WRITTEN PERMISSION OF RSS MANUFACTURING IS PROHIBITED.

-	-	INTERPRET GEOMETRIC DIMENSIONING & TOLERANCING IN ACCORDANCE WITH ASME Y14.5-2009 & ASME Y14.41-2003 STANDARDS, UNLESS OTHERWISE SPECIFIED. DIMENSIONS ARE IN INCHES. TOLERANCES ARE:		
-	-			
-	-			
NEXT ASSY	USED ON	<b>FRACTIONS</b> ±1/64"	<b>DECIMALS</b> X.X: ±.1 X.XX: ±.01 X.XXX: ±.005	<b>ANGULAR</b> ±.5°
APPLICATION				
MATERIAL			NAME	DATE
FINISH		DRAWN	LLO	8/7/2015
<b>DO NOT SCALE DRAWING</b>		CHECKED	GRE	

1/2" MINI THERM., TWO HANDLE TRIM,  
RING, MIX SERIES

SIZE	ASM/PRT NO.	REV
<b>A</b>	4-117/00	-

SCALE: 1:2      WEIGHT: lbs.      SHEET 1 OF 2

5

4

3

2

1