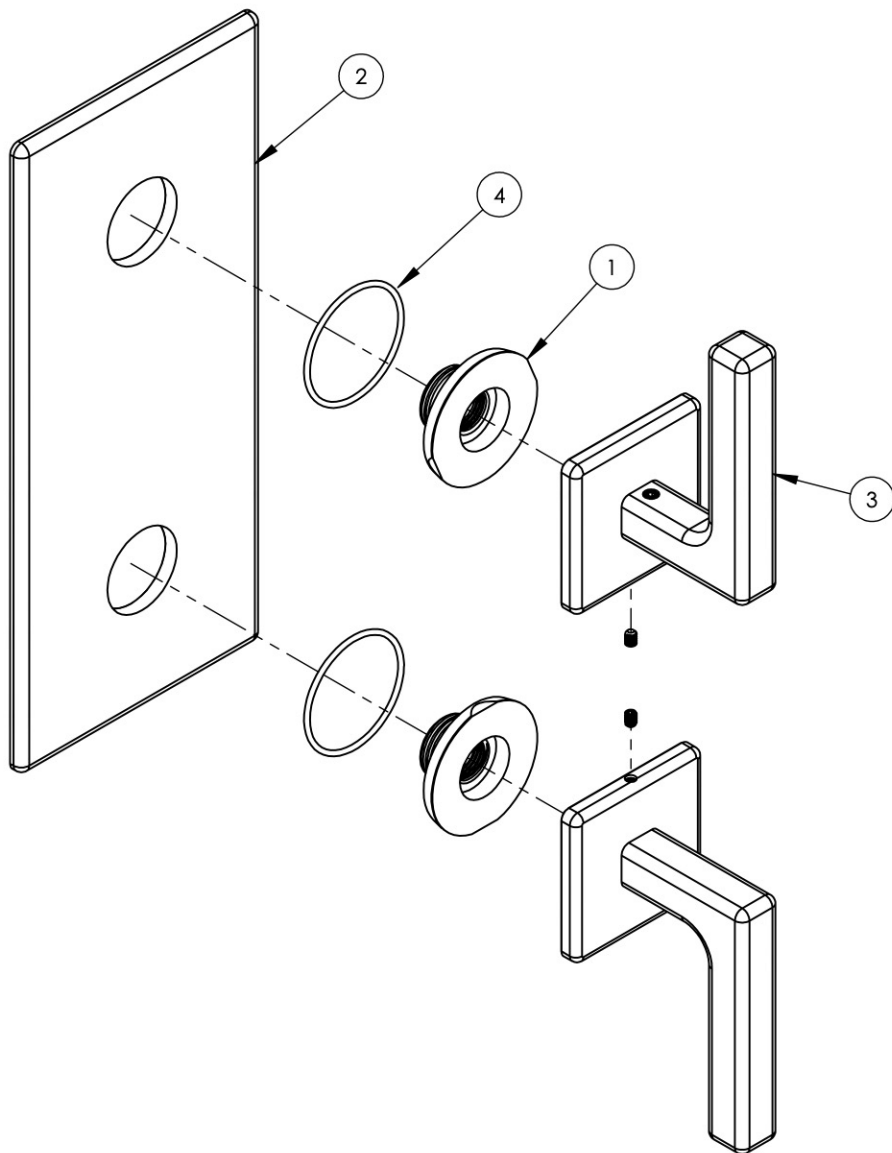


A

B

C

D



ITEM NO.	PART NUMBER	DESCRIPTION	QTY.
1	11003	SLEEVE MOUNT, WALL MT WIDESPREAD	2
2	11204/00	PLATE, TWO HANDLE FLAT RADII EDGE	1
3	3-100/00	ASSY, HANDLE LEVER MIX SERIES	2
	10932/00	ESCUTCHEON, HANDLE MIX SERIES	1
	10924/00	HANDLE, LEVER MIX SERIES	1
	92005	SET SCREW, CUP PT 6-32UNC THREAD 3/16"L	1
	92176	WEAR WASHER	1
	92008	SET SCREW, CUP POINT 8-32	1
4	90029	O-RING, 1-5/8"ID X 1-3/4"OD X 1/16"THK, AS-568-029	2

E

ZONE	REV.	DESCRIPTION	DATE	APPROVED
REVISIONS				

ZONE	REV.	DESCRIPTION	DATE	APPROVED
REVISIONS				

1261 LOGAN AVENUE COSTA MESA, CALIFORNIA 92626 PHONE: 714.361.4800 FAX: 714.617.3120		<b>RSS</b> MANUFACTURING		<b>PROPRIETARY AND CONFIDENTIAL</b> THE INFORMATION CONTAINED IN THIS DRAWING IS THE SOLE PROPERTY OF RSS MANUFACTURING. ANY REPRODUCTION IN PART OR AS A WHOLE WITHOUT THE WRITTEN PERMISSION OF RSS MANUFACTURING IS PROHIBITED.	
---	--	--------------------------	--	---	--

-	-	INTERPRET GEOMETRIC DIMENSIONING & TOLERANCING IN ACCORDANCE WITH ASME Y14.5-2009 & ASME Y14.41-2003 STANDARDS, UNLESS OTHERWISE SPECIFIED. DIMENSIONS ARE IN INCHES. TOLERANCES ARE:			
-	-	<b>FRACTIONS</b> ±1/64"	<b>DECIMALS</b> X.X: ±.1 X.XX: ±.01 X.XXX: ±.005	<b>ANGULAR</b> ±.5°	
NEXT ASSY		USED ON			
APPLICATION					
MATERIAL					
FINISH					
DRAWN		LLO		8/7/2015	
CHECKED		GRE			
<b>DO NOT SCALE DRAWING</b>					

1/2" MINI THERM., TWO HANDLE TRIM,  
LEVER, MIX SERIES

SIZE	ASM/PRT NO.	REV
<b>A</b>	4-116/00	-
SCALE: 1:2.25	WEIGHT: lbs.	SHEET 1 OF 2

5

4

3

2

1