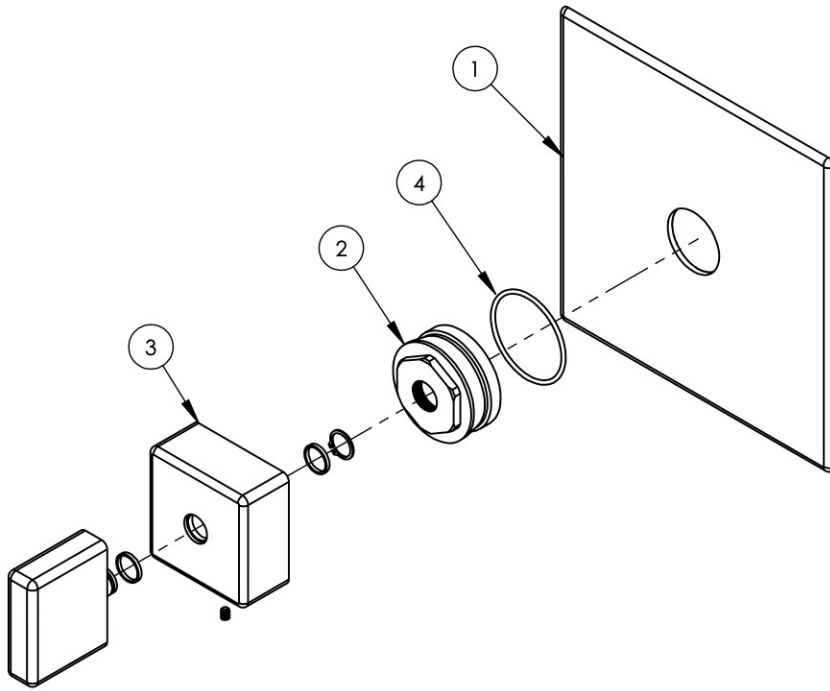


ITEM NO.	PART NUMBER	DESCRIPTION	QTY.
1	10958/00	PLATE, SHOWER TRIM MIX SERIES	1
2	11004	SLEEVE MOUNT, WALL SHOWER	1
3	3-119/00	PB SHOWER SET, HANDLE BLADE MIX	1
	10962/00	HUB FOR SHOWER, MIX SERIES	1
	10923/00	HANDLE, BLADE MIX SERIES	1
	92176	WEAR WASHER	2
	92005	SET SCREW, CUP PT 6-32UNC THREAD 3/16"L	1
	92177	RETAINING RING, 7/16" SHAFT	1
4	90029	O-RING, 1-5/8"ID X 1-3/4"OD X 1/16"THK, AS-568-029	1



A

B

C

D

E

ZONE	REV.	DESCRIPTION	DATE	APPROVED
REVISIONS				

NEXT ASSY	USED ON
-	-
APPLICATION	

MATERIAL	FINISH
-	-

DO NOT SCALE DRAWING
-

FRACCTIONS	DECIMALS	ANGULAR
±1/64"	X.X: ±.1 X.XX: ±.01 X.XXX: ±.005	±.5°

NAME	DATE
DRAWN: MAF	12/18/2013
CHECKED: GRE	

SCALE	WEIGHT	SHEET
SCALE: 1:3	WEIGHT: lbs.	SHEET 1 OF 2

INTERPRET GEOMETRIC DIMENSIONING & TOLERANCING IN ACCORDANCE WITH ASME Y14.5-2009 & ASME Y14.41-2003 STANDARDS, UNLESS OTHERWISE SPECIFIED. DIMENSIONS ARE IN INCHES. TOLERANCES ARE:

PB PLATE, BLADE HANDLE, MIX SERIES

SIZE	ASM/PRT NO.	REV
A	4-111/00	-

1261 LOGAN AVENUE
COSTA MESA, CALIFORNIA 92626
PHONE: 714.361.4800
FAX: 714.617.3120



MANUFACTURING

PROPRIETARY AND CONFIDENTIAL
THE INFORMATION CONTAINED IN THIS DRAWING IS THE SOLE PROPERTY OF RSS MANUFACTURING. ANY REPRODUCTION IN PART OR AS A WHOLE WITHOUT THE WRITTEN PERMISSION OF RSS MANUFACTURING IS PROHIBITED.

5

4

3

2

1