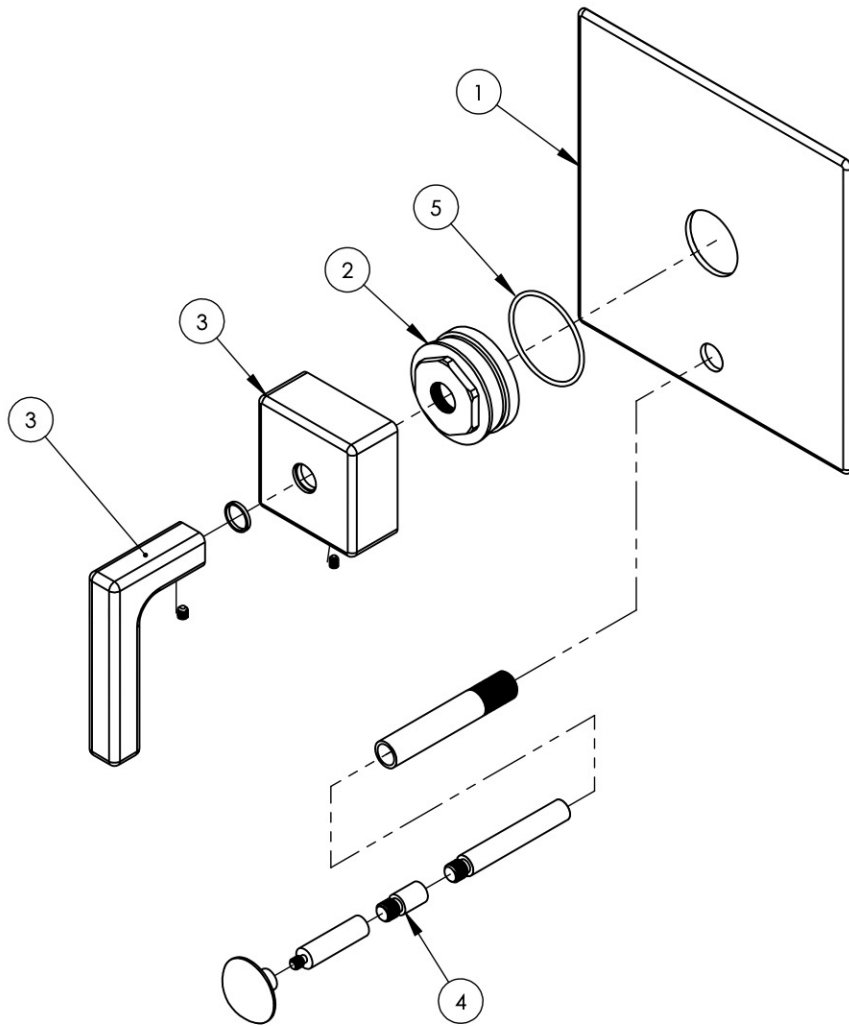


A

B

C

D



ITEM NO.	PART NUMBER	DESCRIPTION	QTY.
1	10959/00	SHOWER TRIM PLATE W/ DIVERTER HOLE, MIX SERIES	1
2	11004	SLEEVE MOUNT, WALL SHOWER	1
3	3-120/00	PB SHOWER SET, HANDLE LEVER MIX SERIES	1
	10962/00	HUB FOR SHOWER, MIX SERIES	1
	10924/00	HANDLE, LEVER MIX SERIES	1
	92005	SET SCREW, CUP PT 6-32UNC THREAD 3/16"L	1
	92176	WEAR WASHER	1
	92008	SET SCREW, CUP POINT 8-32	1
4	3-125/00	EXTENSION ASSY FOR PB TUB & SHOWER SET	1
	11008/00	DIVERTED STEM FOR PB PLATE	1
	11006/00	PULL KNOB, DIVERTER, 10-24	1
	11085/00	EXTENSION PIN FOR PB TUB & SHOWER SET	1
	11007/00	EXTENSION PIN FOR PB TUB & SHOWER SET 1.25LONGER	1
	P17066/00	EXTENSION SLEEVE, STEM, PB TUB & SHOWER SET	1
5	90029	O-RING, 1-5/8"ID X 1-3/4"OD X 1/16"THK, AS-568-029	1

E

ZONE	REV.	DESCRIPTION	DATE	APPROVED
------	------	-------------	------	----------

REVISIONS

1261 LOGAN AVENUE
COSTA MESA, CALIFORNIA 92626
PHONE: 714.361.4800
FAX: 714.617.3120



MANUFACTURING

PROPRIETARY AND CONFIDENTIAL

THE INFORMATION CONTAINED IN THIS DRAWING IS THE SOLE PROPERTY OF RSS MANUFACTURING. ANY REPRODUCTION IN PART OR AS A WHOLE WITHOUT THE WRITTEN PERMISSION OF RSS MANUFACTURING IS PROHIBITED.

-	-	INTERPRET GEOMETRIC DIMENSIONING & TOLERANCING IN ACCORDANCE WITH ASME Y14.5-2009 & ASME Y14.41-2003 STANDARDS, UNLESS OTHERWISE SPECIFIED. DIMENSIONS ARE IN INCHES. TOLERANCES ARE:		
NEXT ASSY	USED ON	FRACTIONS ±1/64"	DECIMALS X.X: ±.1 X.XX: ±.01 X.XXX: ±.005	ANGULAR ±.5°
APPLICATION		MATERIAL	NAME	DATE
FINISH		DRAWN	MAF	12/18/2013
DO NOT SCALE DRAWING		CHECKED	GRE	

PB PLATE W/ DIVERTER, LEVER HANDLE,
MIX SERIES

SIZE	ASM/PRT NO.	REV
A	4-108/00	-

SCALE: 1:3	WEIGHT: lbs.	SHEET 1 OF 2
------------	--------------	--------------

5

4

3

2

1