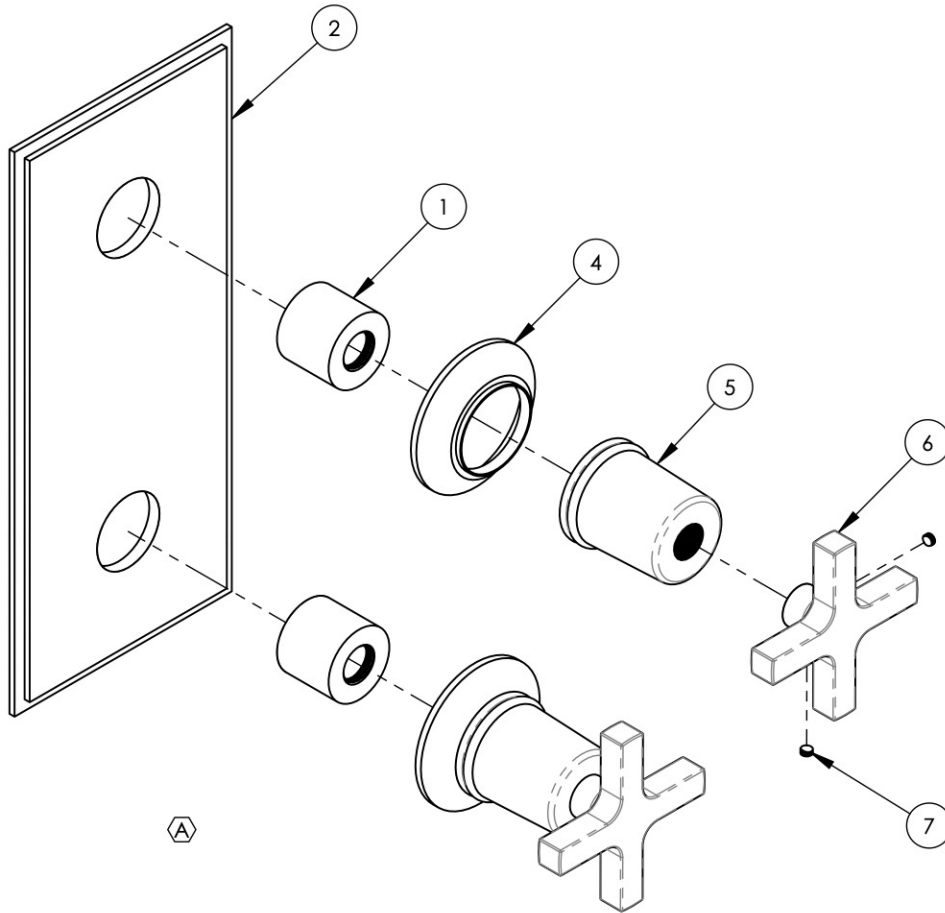


NOTE(S):
 1. PART NUMBER, "/00" DENOTES PART SHALL HAVE FINISH.

ITEM NO.	PART NUMBER	DESCRIPTION	QTY.
1	10986	CENTERING PLATE SLEEVE	2
2	11203/00	PLATE, TWO HANDLE STEPPED LIP	1
3	3-132/00	CROSS HANDLE, HEX MODERN, 501 SERIES	2
4	10921/00	ESCUTCHEON, TRANSITIONAL	1
5	10922/00	HUB, FOR HEX TRANSITIONAL	1
6	10633/00	HANDLE CROSS, CONTEMPORARY 16PT	1
7	92163	SET SCREW, CONE PT 8-32 X 1/8" L	2



D4, D1	REV.	DESCRIPTION	DATE	APPROVED
A		REMOVE TAPE, UPDATE NAME	11/25/2019	AMM
ZONE	REV.	DESCRIPTION	DATE	APPROVED
REVISIONS				

1261 LOGAN AVENUE
 COSTA MESA, CALIFORNIA 92626
 PHONE: 714.361.4800
 FAX: 714.617.3120

PHYLIRICH[®]
 Defining Luxury Since 1959

PROPRIETARY AND CONFIDENTIAL
 THE INFORMATION CONTAINED IN THIS DRAWING IS THE SOLE PROPERTY OF PHYLIRICH. ANY REPRODUCTION IN PART OR AS A WHOLE WITHOUT THE WRITTEN PERMISSION OF PHYLIRICH IS PROHIBITED.

-	-	INTERPRET GEOMETRIC DIMENSIONING & TOLERANCING IN ACCORDANCE WITH ASME Y14.5-2009 & ASME Y14.41-2003 STANDARDS, UNLESS OTHERWISE SPECIFIED. DIMENSIONS ARE IN INCHES. TOLERANCES ARE:		
NEXT ASSY	USED ON	FRACTIONS	DECIMALS	ANGULAR
APPLICATION		±1/16"	X.X: ±.1 X.XX: ±.01 X.XXX: ±.005	±2°
MATERIAL		NAME	DATE	
FINISH		DRAWN	LLO	10/26/2015
DO NOT SCALE DRAWING		CHECKED	GRE	

SHOWER TRIM PLATE, TWO HANDLE, CROSS, HEX MODERN

SIZE	ASM/PRT NO.	REV
A	4-105/00	A
SCALE: 1:2.5	WEIGHT: lbs.	SHEET 1 OF 2