

5

4

3

2

1

E

E

D

D

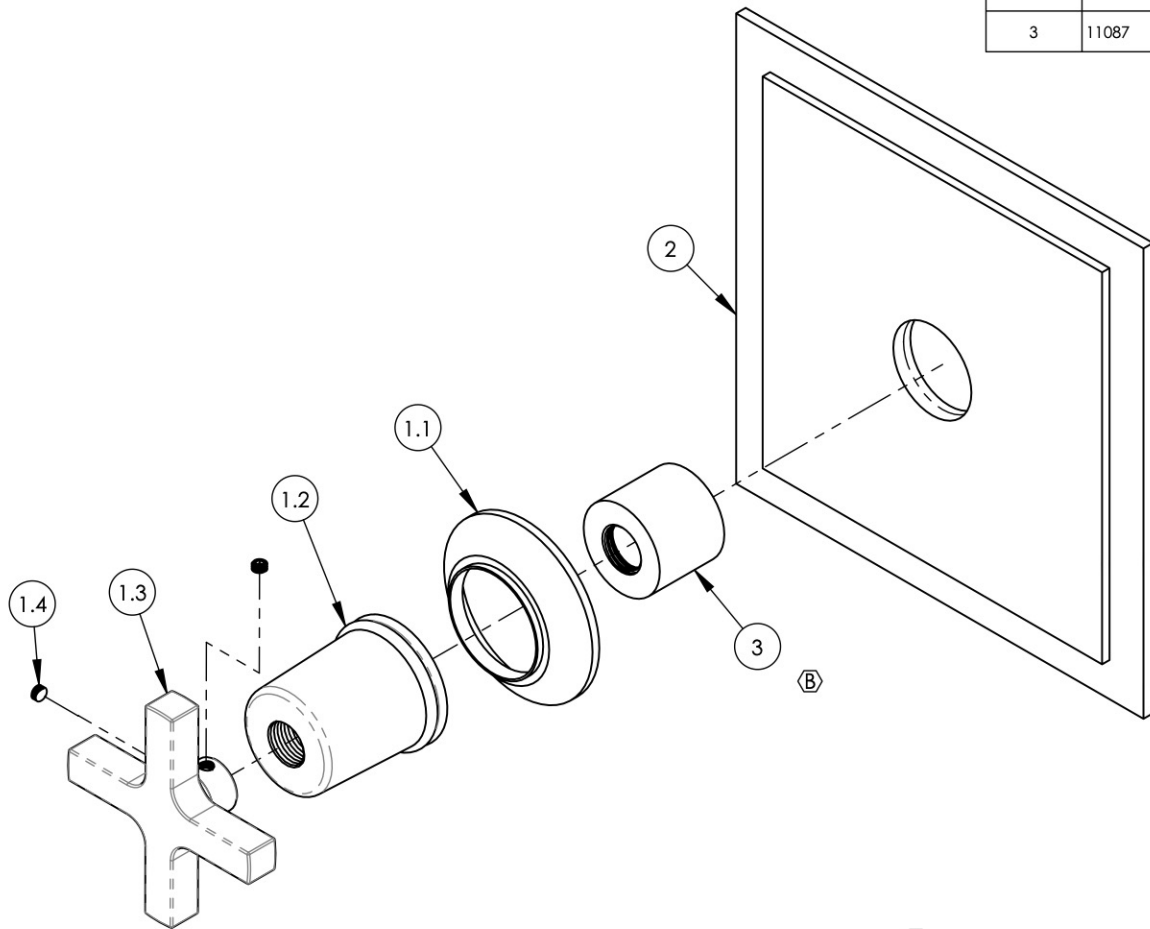
C

C

B

B

ITEM NO.	PART NUMBER	DESCRIPTION	QTY.
1	3-132/00	CROSS HANDLE, HEX MODERN, 501 SERIES	1
1.1	10921/00	ESCUTCHEON, TRANSITIONAL	1
1.2	10922/00	HUB, FOR HEX TRANSITIONAL	1
1.3	10633/00	HANDLE CROSS, CONTEMPORARY 16PT	1
1.4	92163	SET SCREW, CONE PT 8-32 X 1/8"L	2
2	11037/00	TRIM PLATE - BEVELED EDGES	1
3	11087	SLEEVE FOR PB-THERM PLATE	1



C3, A3	B	UPDATE SLEEVE MOUNT, ADD WHERE USED	9/22/2020	AMM
ZONE	REV.	DESCRIPTION	DATE	APPROVED
REVISIONS				

1261 LOGAN AVENUE
COSTA MESA, CALIFORNIA 92626
PHONE: 714.361.4800
FAX: 714.617.3120

PHYLIRICH[®]
Defining Luxury Since 1959

PROPRIETARY AND CONFIDENTIAL
THE INFORMATION CONTAINED IN THIS DRAWING IS THE SOLE PROPERTY OF PHYLIRICH. ANY REPRODUCTION IN PART OR AS A WHOLE WITHOUT THE WRITTEN PERMISSION OF PHYLIRICH IS PROHIBITED.

-	-	INTERPRET GEOMETRIC DIMENSIONING & TOLERANCING IN ACCORDANCE WITH ASME Y14.5-2009 & ASME Y14.41-2003 STANDARDS, UNLESS OTHERWISE SPECIFIED. DIMENSIONS ARE IN INCHES. TOLERANCES ARE:		
501-21/00	-	FRACTIONS ±1/16"	DECIMALS X.X: ±.1 X.XX: ±.01 X.XXX: ±.005	ANGULAR ±2°
NEXT ASSY		USED ON		
APPLICATION				
MATERIAL		NAME	DATE	
FINISH		DRAWN	CA	12/20/2013
DO NOT SCALE DRAWING		CHECKED		

SHOWER TRIM PLATE, SINGLE HANDLE, CROSS, HEX MODERN

SIZE	ASM/PRT NO.	REV
A	4-103/00	B

SCALE: 1:2 WEIGHT: lbs. SHEET 1 OF 2

5

4

3

2

1

A

A