

5

4

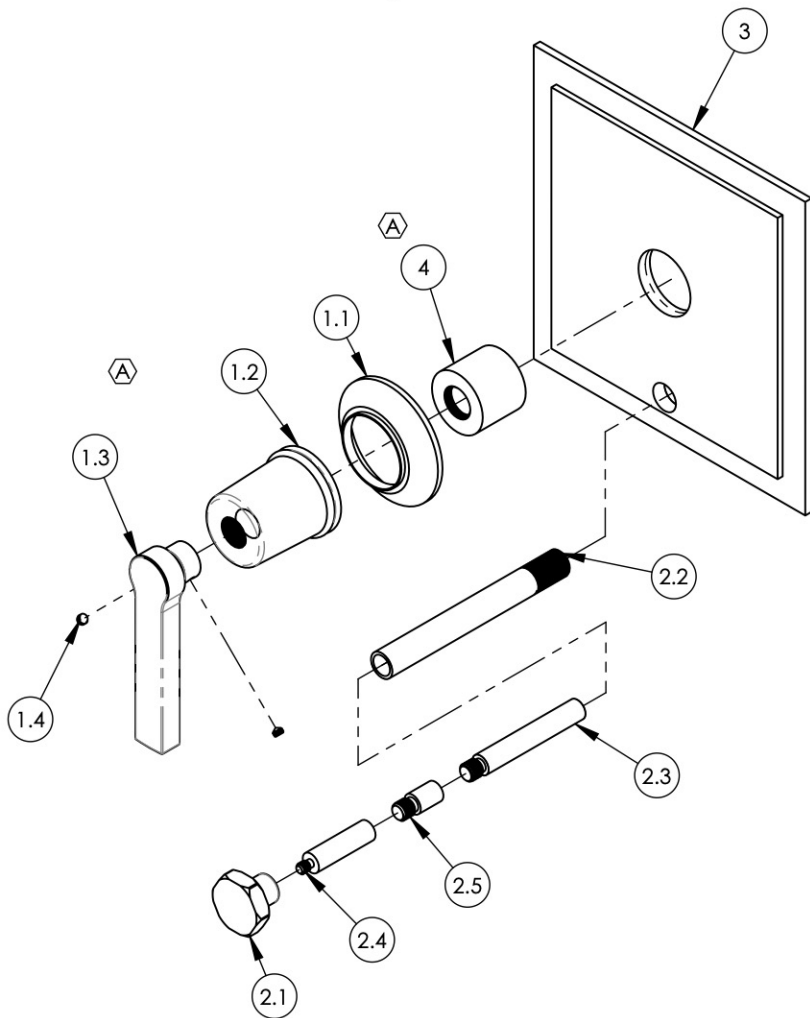
3

2

1

NOTE(S):

- 1. APPLY NSF COMPLIANT LOCTITE TO THREADED AREA. 



ITEM NO.	PART NUMBER	DESCRIPTION	QTY.
1	3-133/00	LEVER HANDLE, HEX MODERN, 501 SERIES	1
1.1	10921/00	ESCUTCHEON, TRANSITIONAL	1
1.2	10922/00	HUB, FOR HEX TRANSITIONAL	1
1.3	11036/00	HANDLE LEVER, CONTEMPORARY 16PT	1
1.4	92163	SET SCREW, CONE PT 8-32 X 1/8"L	2
2	3-322/00	DIVERTER EXTENSION FOR PB TUB & SHOWER SET, HEX	1
2.1	10920/00	POP-UP KNOB, HEX TRADITIONAL	1
2.2	11009/00	EXTENSION SLEEVE FOR STEM, PB TUB & SHOWER SET	1
2.3	11007/00	EXTENSION PIN FOR PB TUB & SHOWER SET 1.25LONGER	1
2.4	11008/00	DIVERTED STEM FOR PB PLATE	1
2.5	11085	EXTENSION PIN FOR PB TUB & SHOWER SET	1
3	11038/00	TRIM PLATE W/ DIVERTER- BEVELED EDGES	1
4	11087	SLEEVE FOR PB-THERM PLATE	1

ALL	REV.	DESCRIPTION	DATE	APPROVED
A		REMOVE TAPE, UPDATE TEMPLATE, DWG NAME, HANDLE & SLEEVE MOUNT, ADD CALL OUTS & WHERE USED	12/11/2019	AMM
REVISIONS				

1261 LOGAN AVENUE  
COSTA MESA, CALIFORNIA 92626  
PHONE: 714.361.4800  
FAX: 714.617.3120

**PHYLIRICH®**  
Defining Luxury Since 1959

**PROPRIETARY AND CONFIDENTIAL**  
THE INFORMATION CONTAINED IN THIS DRAWING IS THE SOLE PROPERTY OF PHYLIRICH. ANY REPRODUCTION IN PART OR AS A WHOLE WITHOUT THE WRITTEN PERMISSION OF PHYLIRICH IS PROHIBITED.

-		INTERPRET GEOMETRIC DIMENSIONING & TOLERANCING IN ACCORDANCE WITH ASME Y14.5-2009 & ASME Y14.41-2003 STANDARDS, UNLESS OTHERWISE SPECIFIED. DIMENSIONS ARE IN INCHES. TOLERANCES ARE:		
-		-		
501-27/00	-	-		
NEXT ASSY	USED ON	FRACTIONS ±1/16"	DECIMALS X.X: ±.1 X.XX: ±.01 X.XXX: ±.005	ANGULAR ±2°
APPLICATION				
MATERIAL	NAME		DATE	
FINISH	DRAWN	CA	12/20/2013	
<b>DO NOT SCALE DRAWING</b>				
CHECKED				

**SHOWER TRIM PLATE, PB, DIVERTED, LEVER, HEX MODERN**

SIZE	ASM/PRT NO.	REV
<b>A</b>	4-102/00	<b>A</b>

SCALE: 1:3      WEIGHT: lbs.      SHEET 1 OF 2

5

4

3

2

1