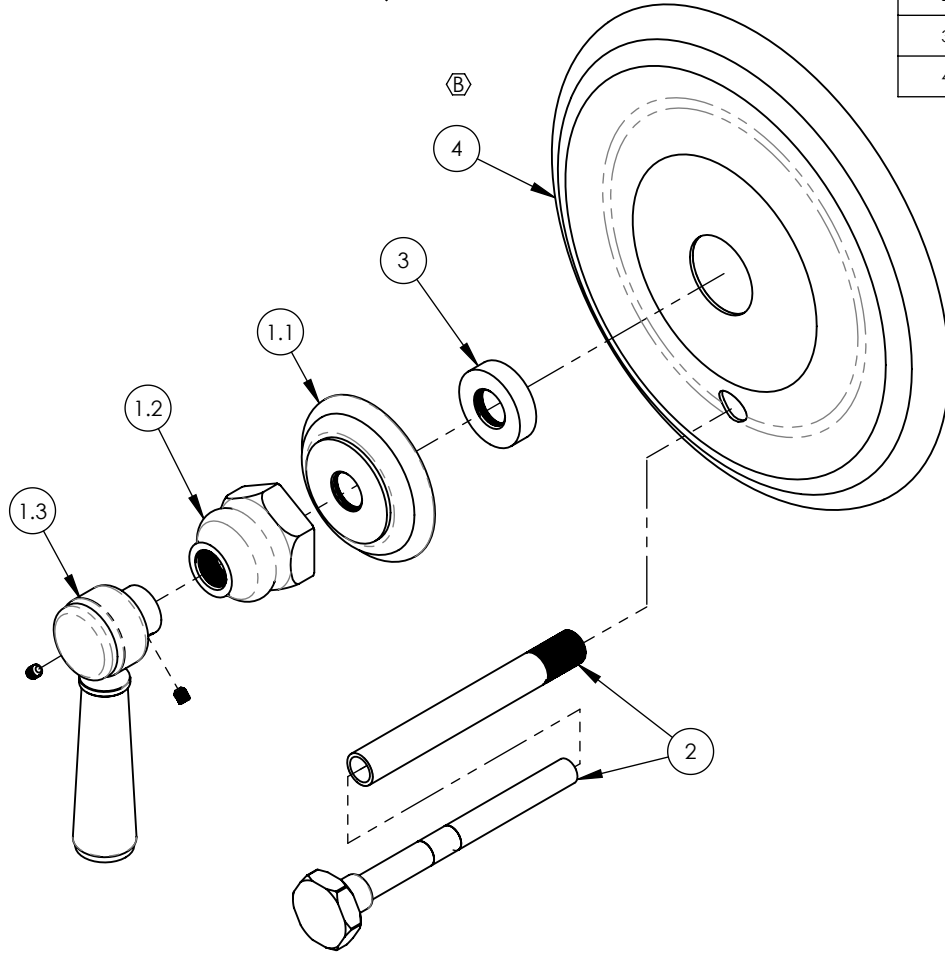


- NOTE(S):  
 1. PART NUMBER, "/00" DENOTES PART SHALL HAVE FINISH.  
 2. APPLY NSF COMPLIANT GREASE TO ANY O-RING, SEALING JOINTS, AND/OR PIVOTAL POINTS.  
 3. APPLY NSF COMPLIANT LOCTITE TO THREADED AREA.  
 4. APPLY NSF COMPLIANT REMOVABLE (BLUE) LOCTITE TO THREADED AREA.  
 5. SILVER SOLDER JOINTS SHALL BE FULLY WETTED VIA CAPILLARY ACTION AND COMPLETELY NON-POROUS.



ITEM NO.	PART NUMBER	DESCRIPTION	QTY.
1	3-143/00	LEVER HANDLE, WALL/SHOWER, 500 SERIES,	1
1.1	10618/00	ESCUTCHEON, TRADITIONAL 500	1
1.2	10621/00	BASE HUB NUT	1
1.3	2-141/00	SUB ASSY. LEVER HANDLE, 500 SERIES	1
2	3-322/00	DIVERTER EXTENSION FOR PB TUB & SHOWER SET, HEX	1
3	11087	SLEEVE FOR PB-THERM PLATE	1
4	P17011/00	TRIM PLATE, PRESSURE BALANCE, SMOOTH, DOUBLE HOLE	1



ZONE	REV.	DESCRIPTION	DATE	APPROVED
D3	B	REPLACE TRIM PLATE	3/31/2021	AMM
REVISIONS				

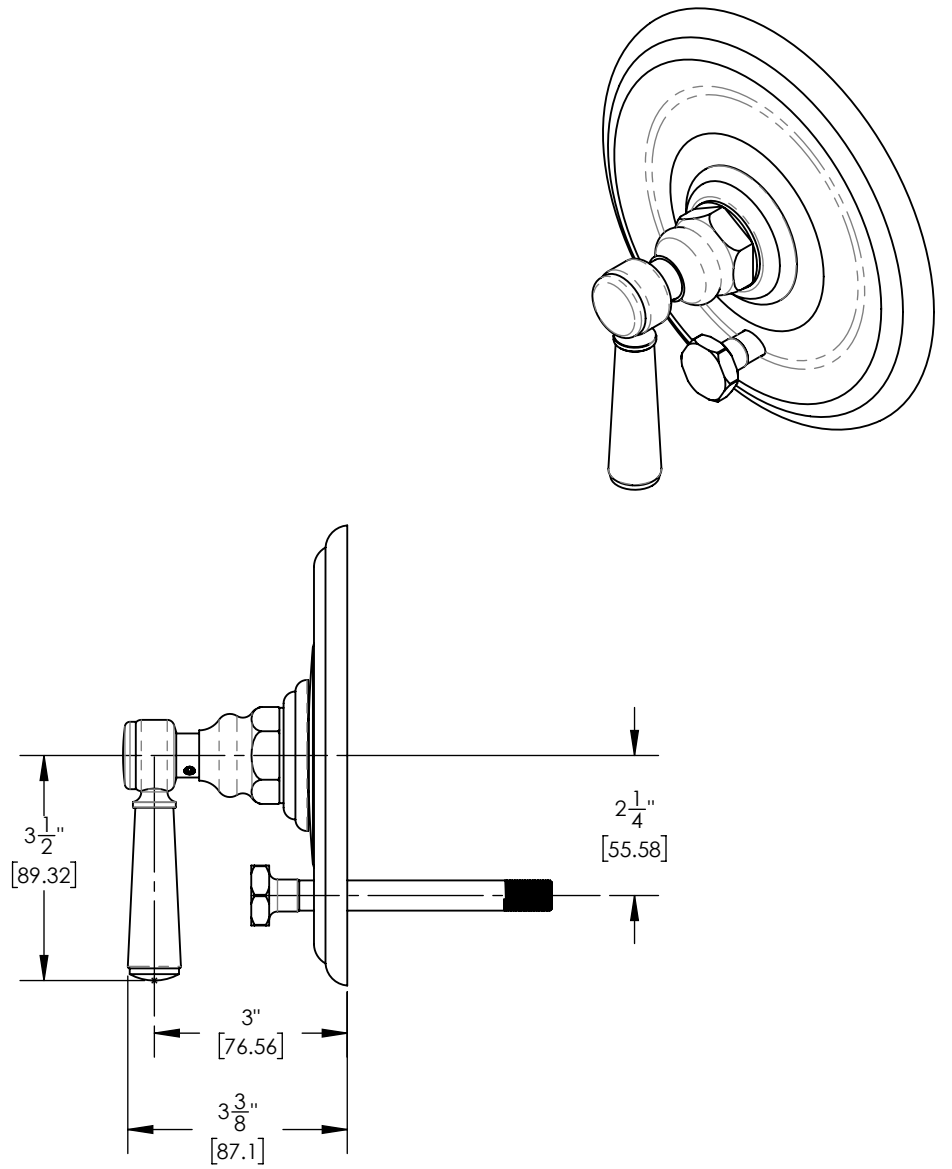
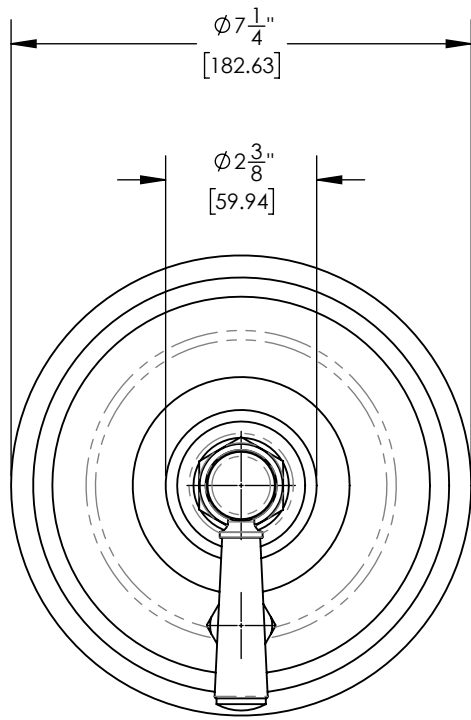
1261 LOGAN AVENUE  
 COSTA MESA, CALIFORNIA 92626  
 PHONE: 714.361.4800  
 FAX: 714.617.3120

**PHYLIRICH**<sup>®</sup>  
 Defining Luxury Since 1959

**PROPRIETARY AND CONFIDENTIAL**  
 THE INFORMATION CONTAINED IN THIS DRAWING IS THE SOLE PROPERTY OF PHYLIRICH. ANY REPRODUCTION IN PART OR AS A WHOLE WITHOUT THE WRITTEN PERMISSION OF PHYLIRICH IS PROHIBITED.  
**DO NOT SCALE DRAWING**

SHOWER TRIM PLATE, PB, DIVERTED,  
 LEVER, HEX TRAD.

SIZE <b>A</b>	ASM/PRT NO. 4-096/00	REV B
SCALE: 1:2.5	WEIGHT: lbs.	SHEET 1 OF 2



1261 LOGAN AVENUE  
COSTA MESA, CALIFORNIA 92626  
PHONE: 714.361.4800  
FAX: 714.617.3120

**PHYLIRICH**<sup>®</sup>  
Defining Luxury Since 1959

**PROPRIETARY AND CONFIDENTIAL**  
THE INFORMATION CONTAINED IN THIS DRAWING IS THE SOLE PROPERTY OF PHYLIRICH. ANY REPRODUCTION IN PART OR AS A WHOLE WITHOUT THE WRITTEN PERMISSION OF PHYLIRICH IS PROHIBITED.  
**DO NOT SCALE DRAWING**

**SHOWER TRIM PLATE, PB, DIVERTED,  
LEVER, HEX TRAD.**

SIZE <b>A</b>	ASM/PRT NO. 4-096/00	REV B
SCALE: 1:3	WEIGHT: lbs.	SHEET 2 OF 2