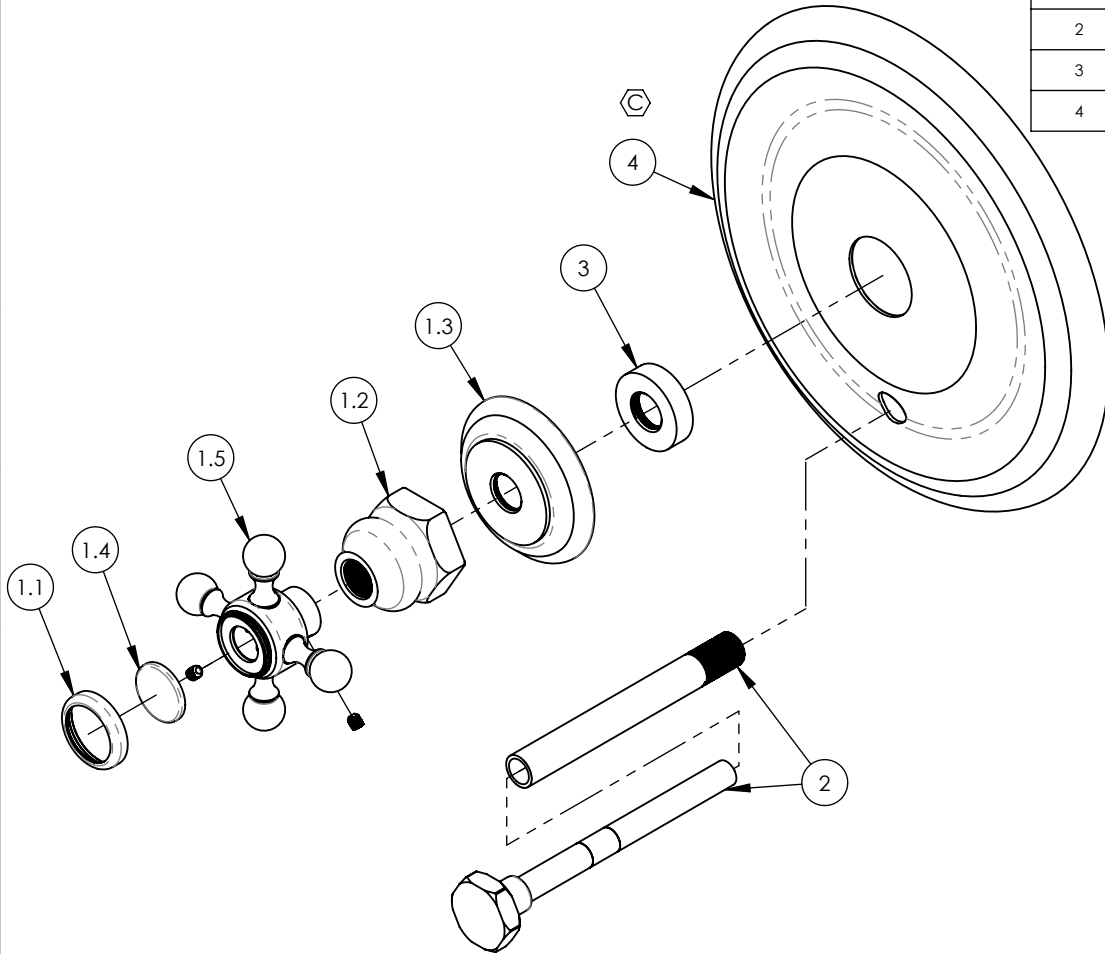


- NOTE(S):  
 1. PART NUMBER, "/00" DENOTES PART SHALL HAVE FINISH.  
 2. APPLY NSF COMPLIANT GREASE TO ANY O-RING, SEALING JOINTS, AND/OR PIVOTAL POINTS.  
 3. APPLY NSF COMPLIANT LOCTITE TO THREADED AREA.  
 4. APPLY NSF COMPLIANT REMOVABLE (BLUE) LOCTITE TO THREADED AREA.  
 5. SILVER SOLDER JOINTS SHALL BE FULLY WETTED VIA CAPILLARY ACTION AND COMPLETELY NON-POROUS.



| ITEM NO. | PART NUMBER | DESCRIPTION                                       | QTY. |
|----------|-------------|---|------|
| 1        | 3-142B/00   | CROSS HANDLE, WALL/SHOWER, 500 SERIES             | 1    |
| 1.1      | 10538/00    | CAP RING FOR 500 SERIES BUTTON                    | 1    |
| 1.2      | 10621/00    | BASE HUB NUT                                      | 1    |
| 1.3      | 10618/00    | ESCUTCHEON, TRADITIONAL 500                       | 1    |
| 1.4      | 11097       | PLASTIC BUTTON, BLANK                             | 1    |
| 1.5      | 2-180/00    | SUB ASSY. CROSS HANDLE HUB                        | 1    |
| 2        | 3-322/00    | DIVERTER EXTENSION FOR PB TUB & SHOWER SET, HEX   | 1    |
| 3        | 11087       | SLEEVE FOR PB-THERM PLATE                         | 1    |
| 4        | P17011/00   | TRIM PLATE, PRESSURE BALANCE, SMOOTH, DOUBLE HOLE | 1    |



| D3        | C    | UPDATE TRIM PLATE | 4/22/2021 | AMM      |
|-----------|------|-------------------|-----------|----------|
| ZONE      | REV. | DESCRIPTION       | DATE      | APPROVED |
| REVISIONS |      |                   |           |          |

1261 LOGAN AVENUE  
 COSTA MESA, CALIFORNIA 92626  
 PHONE: 714.361.4800  
 FAX: 714.617.3120

**PHYLIRICH**<sup>®</sup>  
 Defining Luxury Since 1959

**PROPRIETARY AND CONFIDENTIAL**  
 THE INFORMATION CONTAINED IN THIS DRAWING IS THE SOLE PROPERTY OF PHYLIRICH. ANY REPRODUCTION IN PART OR AS A WHOLE WITHOUT THE WRITTEN PERMISSION OF PHYLIRICH IS PROHIBITED.

|                             |            |   |
|-----------------------------|------------|---|
| 500-26/00                   | -          | INTERPRET GEOMETRIC DIMENSIONING & TOLERANCING IN ACCORDANCE WITH ASME Y14.5-2009 & ASME Y14.41-2003 STANDARDS, UNLESS OTHERWISE SPECIFIED. DIMENSIONS ARE IN INCHES. TOLERANCES ARE: |
| 4-151/00                    | -          |   |
| 161-26/00                   | -          |   |
| NEXT ASSY                   | USED ON    | <b>FRACTIONS</b><br>±1/16"  |
| APPLICATION                 |            | <b>DECIMALS</b><br>X.X: ±.1<br>X.XX: ±.01<br>X.XXX: ±.005   |
| MATERIAL                    |            | <b>ANGULAR</b><br>±2°   |
| FINISH                      | DRAWN      | NAME  |
|                             | CA         | DATE  |
|                             | 12/20/2013 |   |
| <b>DO NOT SCALE DRAWING</b> | CHECKED    |   |

SHOWER TRIM PLATE, PB, DIVERTED, CROSS, HEX TRAD.

|              |              |              |
|--------------|--------------|--------------|
| SIZE         | ASM/PRT NO.  | REV          |
| <b>A</b>     | 4-095/00     | C            |
| SCALE: 1:2.5 | WEIGHT: lbs. | SHEET 1 OF 2 |

5

4

3

2

1

E

E

D

D

C

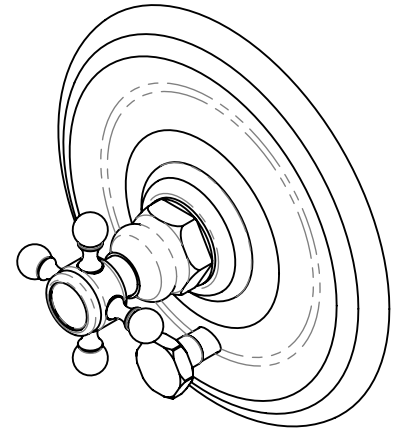
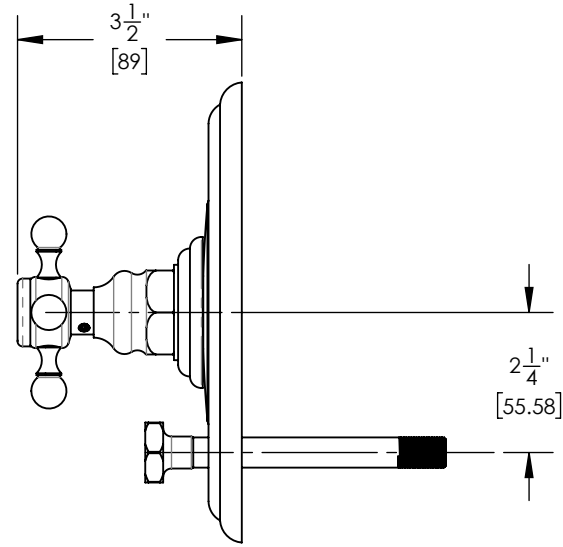
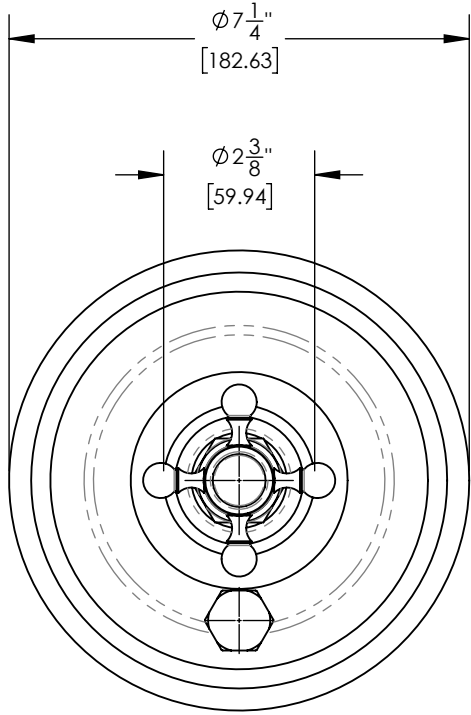
C

B

B

A

A



1261 LOGAN AVENUE  
COSTA MESA, CALIFORNIA 92626  
PHONE: 714.361.4800  
FAX: 714.617.3120

**PHYLIRICH**<sup>®</sup>  
Defining Luxury Since 1959

**PROPRIETARY AND CONFIDENTIAL**  
THE INFORMATION CONTAINED IN THIS DRAWING IS THE SOLE PROPERTY OF PHYLIRICH. ANY REPRODUCTION IN PART OR AS A WHOLE WITHOUT THE WRITTEN PERMISSION OF PHYLIRICH IS PROHIBITED.  
**DO NOT SCALE DRAWING**

**SHOWER TRIM PLATE, PB, DIVERTED,  
CROSS, HEX TRAD.**

|                  |                         |              |
|------------------|-------------------------|--------------|
| SIZE<br><b>A</b> | ASM/PRT NO.<br>4-095/00 | REV<br>C     |
| SCALE: 1:3       | WEIGHT: lbs.            | SHEET 2 OF 2 |

5

4

3

2

1