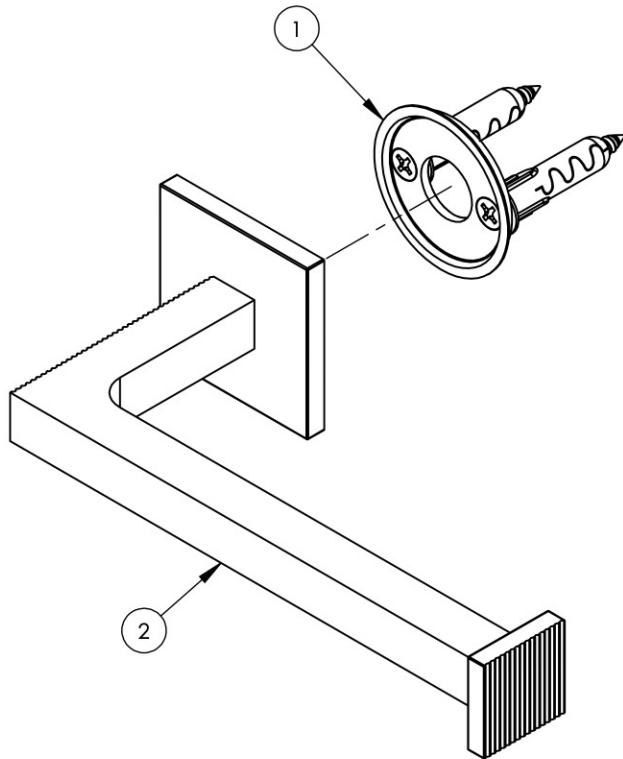


A

B

C

D



ITEM NO.	PART NUMBER	DESCRIPTION	QTY.
1	2-098	MOUNTING KIT FOR MIX/EDGE SERIES	1
	30042	WALL MOUNTING PLATE	1
	92043	SCREW, FLAT HD #10 SIZE W/ #2 PHIL DRIVE, 2"L	2
	92046	ANCHOR SCREW 3/8" HOLE, TOGGLER AF10	2
2	3-366/00	HAND TOWEL BAR 6", STRIA SERIES	1
	2-137/00	HAND TOWEL BAR 6", 291 STRIA SERIES	1
	11227/00	FINIAL END, PAPER HOLDER 291 STRIA SERIES	1
	11484/00	SINGLE POST TOWEL BAR ELBOW, STRIA SERIES	1
	10941/00	ESCUTCHEON, ACCESORIES EDGE SERIES	1
	92005	SET SCREW, CUP PT 6-32UNC THREAD 3/16"L	1
	92033	SCREW, PHILLIPS PAN HD #8-32 x 7/8"L	1

ALL	A	UPDATED DRAWING FOR BETTER CLARITY	7/5/2016	GRE
ZONE	REV.	DESCRIPTION	DATE	APPROVED
REVISIONS				

1261 LOGAN AVENUE  
COSTA MESA, CALIFORNIA 92626  
PHONE: 714.361.4800  
FAX: 714.617.3120



MANUFACTURING

**PROPRIETARY AND CONFIDENTIAL**

THE INFORMATION CONTAINED IN THIS DRAWING IS THE SOLE PROPERTY OF RSS MANUFACTURING. ANY REPRODUCTION IN PART OR AS A WHOLE WITHOUT THE WRITTEN PERMISSION OF RSS MANUFACTURING IS PROHIBITED.

-	-	INTERPRET GEOMETRIC DIMENSIONING & TOLERANCING IN ACCORDANCE WITH ASME Y14.5-2009 & ASME Y14.41-2003 STANDARDS, UNLESS OTHERWISE SPECIFIED. DIMENSIONS ARE IN INCHES. TOLERANCES ARE:		
NEXT ASSY	USED ON	<b>FRACTIONS</b> ±1/64"	<b>DECIMALS</b> X.X: ±.1 X.XX: ±.01 X.XXX: ±.005	<b>ANGULAR</b> ±.5°
APPLICATION		MATERIAL	NAME	DATE
FINISH		DRAWN	LLO	12/23/2014
<b>DO NOT SCALE DRAWING</b>		CHECKED	GRE	

**HAND TOWEL BAR 6", STRIA SERIES**

SIZE	ASM/PRT NO.	REV
<b>A</b>	291-75/00	<b>A</b>
SCALE: 1:2	WEIGHT: lbs.	SHEET 1 OF 2

5

4

3

2

1