

NOTE(S):

1. PART NUMBER, "/00" DENOTES PART SHALL HAVE FINISH.

2. APPLY NSF COMPLIANT GREASE TO ANY O-RING, SEALING JOINTS, AND/OR PIVOTAL POINTS.

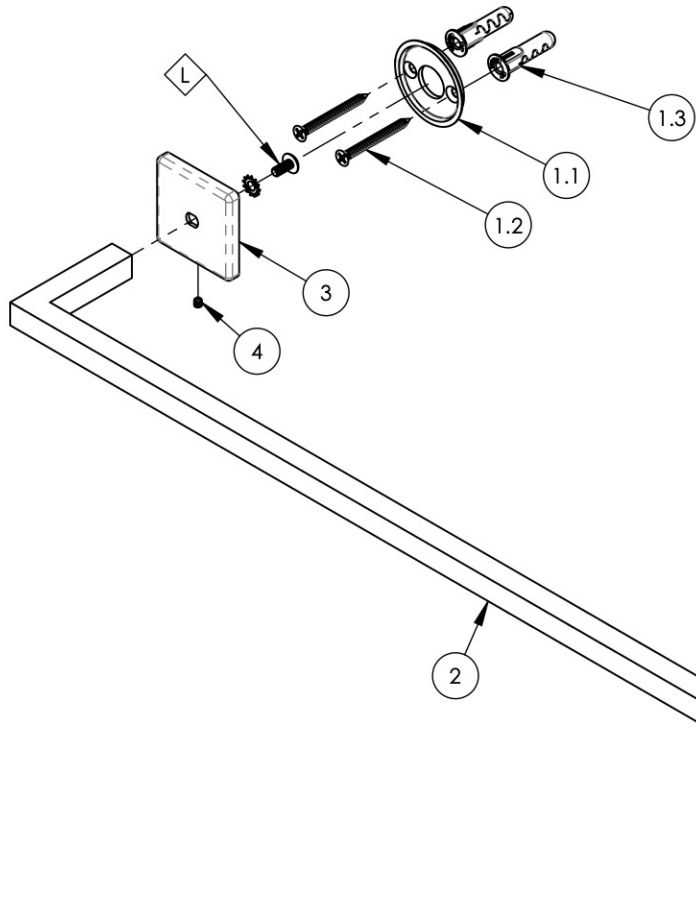
3. APPLY NSF COMPLIANT LOCTITE TO THREADED AREA.

4. APPLY NSF COMPLIANT REMOVABLE (BLUE) LOCTITE TO THREADED AREA.

5. SILVER SOLDER JOINTS SHALL BE FULLY WETTED VIA CAPILLARY ACTION AND COMPLETELY NON-POROUS.



ITEM NO.	PART NUMBER	DESCRIPTION	QTY.
1	2-098	MOUNTING KIT FOR MIX/EDGE SERIES	2
1.1	30042	WALL MOUNTING PLATE	1
1.2	92043	SCREW, FLAT HD #10 SIZE W/ #2 PHIL DRIVE, 2"L	2
1.3	92046	ANCHOR SCREW 3/8" HOLE, TOGGLER AF10	2
2	12223/00	BAR, TOWEL BAR, 29.375 C-C, PURCHASED, MIX/ STRIA	1
3	12227/00	ESCUTCHEON, ACCESSORIES, PURCHASED, MIX/ STRIA	2
4	92008	SET SCREW, CUP POINT 8-32, 3/16" L.	2
5	92504	18-8 SS TRUSS HEAD PHILLIPS SCREW, M5X0.8, 12MM L	2
6	92505	18-8 SS EXT.TOOTH LOCK WASHER FOR #12 SCREW	2



ALL	B	REMODEL AS PURCHASED ASSEMBLY	6/1/2022	AMM
ZONE	REV.	DESCRIPTION	DATE	APPROVED
REVISIONS				

1261 LOGAN AVENUE
COSTA MESA, CALIFORNIA 92626
PHONE: 714.361.4800
FAX: 714.617.3120

PHYLIRICH[®]
Defining Luxury Since 1959

PROPRIETARY AND CONFIDENTIAL
THE INFORMATION CONTAINED IN THIS DRAWING IS THE SOLE PROPERTY OF PHYLIRICH. ANY REPRODUCTION IN PART OR AS A WHOLE WITHOUT THE WRITTEN PERMISSION OF PHYLIRICH IS PROHIBITED.
DO NOT SCALE DRAWING

TOWEL BAR, 29.375 C-C, MIX/ STRIA

SIZE A	ASM/PRT NO. 290-72/00	REV B
SCALE: 1:4	WEIGHT: lbs.	SHEET 1 OF 2