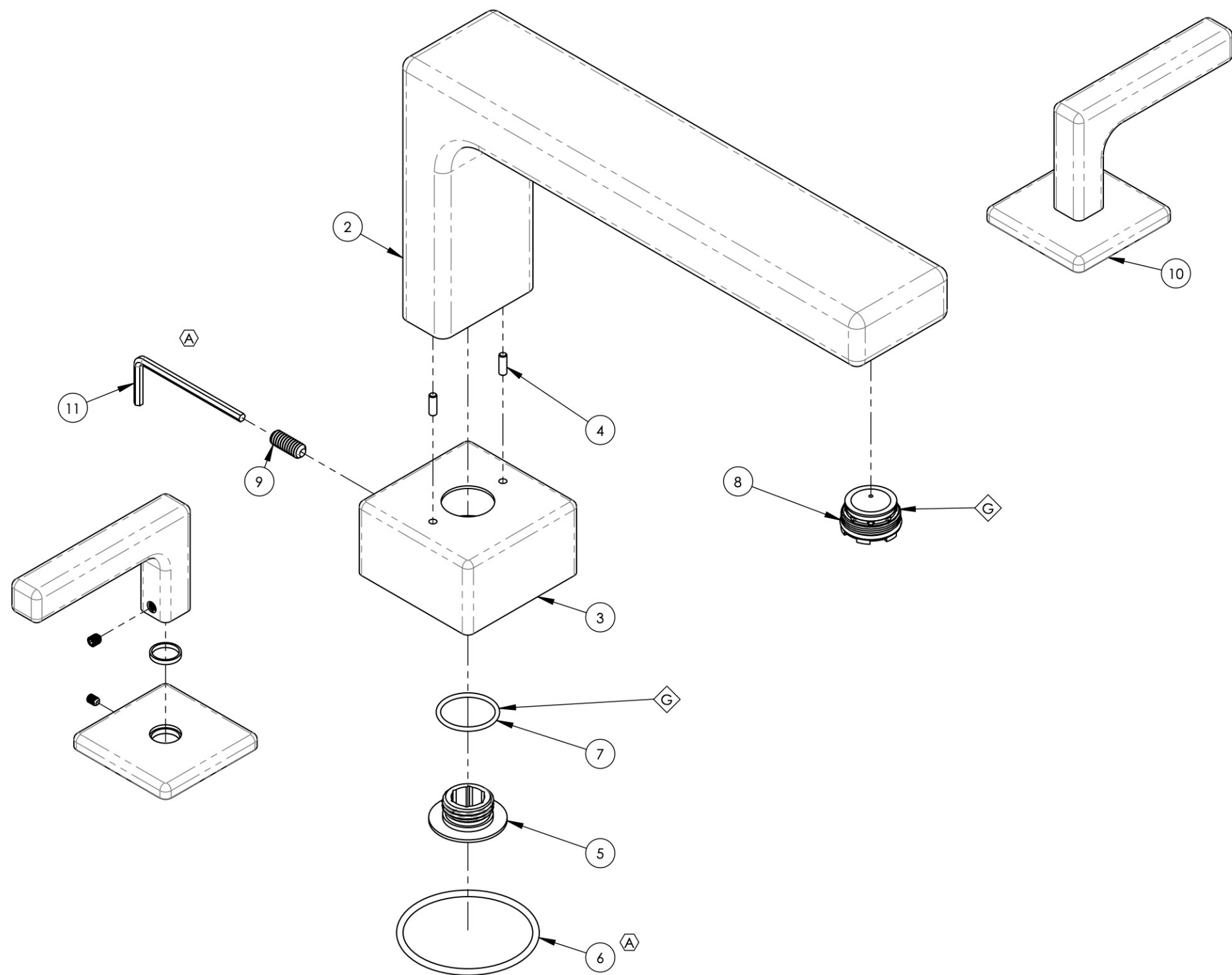


NOTE(S):  
 1. PART NUMBER, "/00" DENOTES PART SHALL HAVE FINISH.  
 2. APPLY NSF COMPLIANT GREASE TO ANY O-RING, SEALING JOINTS, AND/OR PIVOTAL POINTS.



ITEM NO.	PART NUMBER	DESCRIPTION	QTY.
1	3-099/00	ASSEMBLY, SPOUT ROMAN TUB, LOW, MIX SERIES	1
2	10949/00	SPOUT, DECK TUB 290 MIX	1
3	11221/00	ESCUTCHEON, SPOUT MIX SERIES	1
4	92158	DOWEL PIN, 1/8" X 3/8"L	2
5	11220	SPUD SCREW, 1/2"-NPSM CONNECTOR	1
6	90137	O-RING, 2-1/16"ID X 3/32"THK., AS-568-137	1
7	90020	O-RING, 7/8"ID X 1"OD X 1/16"THK., AS-568-020	1
8	P05051	AERATOR, CACHE COINED SLOT M24X1.0 FULL FLOW	1
9	92262	SET SCREW, CUP PT 1/4"-20 X 5/8"L	1
10	3-100/00	ASSY, HANDLE LEVER MIX SERIES	2
11	92216	HEX L-KEY 1/8" HEX x 2-5/16"L	1



ALL	REV.	DESCRIPTION	DATE	APPROVED
ALL	A	UPDATE TEMPLATE/ DWG NAME, UPDATE O-RING, ADD HEX KEY	11/15/2019	AMM

ZONE	REV.	DESCRIPTION	DATE	APPROVED

REVISIONS

1261 LOGAN AVENUE  
 COSTA MESA, CALIFORNIA 92626  
 PHONE: 714.361.4800  
 FAX: 714.617.3120

**PHYLIRICH**  
 Defining Luxury Since 1959

PROPRIETARY AND CONFIDENTIAL  
 THE INFORMATION CONTAINED IN THIS DRAWING IS THE SOLE PROPERTY OF PHYLIRICH. ANY REPRODUCTION IN PART OR AS A WHOLE WITHOUT THE WRITTEN PERMISSION OF PHYLIRICH IS PROHIBITED.

APPLICATION	INTERPRET GEOMETRIC DIMENSIONING & TOLERANCING IN ACCORDANCE WITH ASME Y14.5-2009 & ASME Y14.41-2003 STANDARDS. UNLESS OTHERWISE SPECIFIED, DIMENSIONS ARE IN INCHES. TOLERANCES ARE:
NEXT ASSY	
USED ON	
MATERIAL	FRACTIONS ±1/16"
FINISH	DECIMALS X.X: ±.1 X.XX: ±.01 X.XXX: ±.005
	ANGULAR ±2°
	NAME DATE
	DRAWN CA 5/28/2013
	CHECKED MAF

DECK TUB SET, LEVER, MIX		
SIZE	ASM/PRT NO.	REV
<b>B</b>	290-41/00	A
SCALE: 1:2	WEIGHT: lbs.	SHEET 1 OF 2