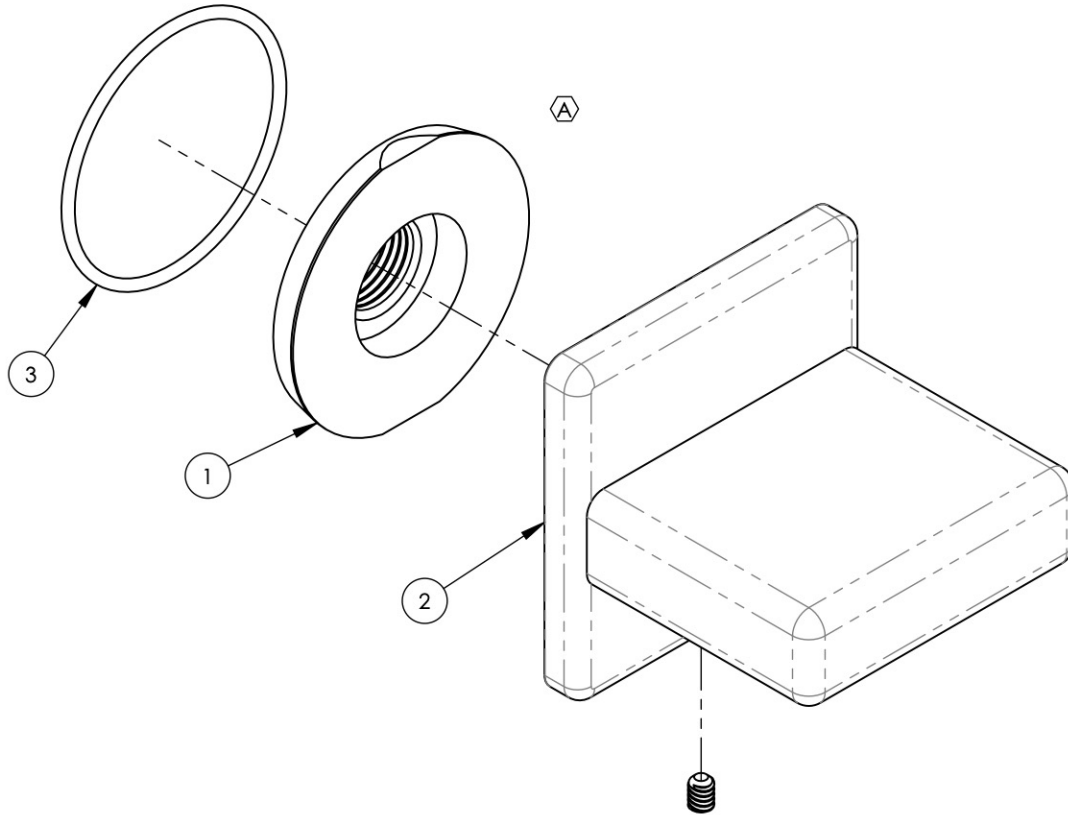


NOTE(S):
 1. PART NUMBER, "/00" DENOTES PART SHALL HAVE FINISH.

| ITEM NO. | PART NUMBER | DESCRIPTION | QTY. |
|----------|-------------|--|------|
| 1 | 11003 | SLEEVE MOUNT, WALL MT WIDESPREAD | 1 |
| 2 | 3-101/00 | ASSY, HANDLE BLADE MIX | 1 |
| 3 | 90029 | O-RING, 1-5/8"ID X 1-3/4"OD X 1/16"THK, AS-568-029 | 1 |



| ALL | A | UPDATE TEMPLATE, DWG NAME, SLEEVE MOUNT | 11/14/2019 | AMM |
|-----------|------|---|------------|----------|
| ZONE | REV. | DESCRIPTION | DATE | APPROVED |
| REVISIONS | | | | |

1261 LOGAN AVENUE
 COSTA MESA, CALIFORNIA 92626
 PHONE: 714.361.4800
 FAX: 714.617.3120

PHYLIRICH[®]
 Defining Luxury Since 1959

PROPRIETARY AND CONFIDENTIAL
 THE INFORMATION CONTAINED IN THIS DRAWING IS THE SOLE PROPERTY OF PHYLIRICH. ANY REPRODUCTION IN PART OR AS A WHOLE WITHOUT THE WRITTEN PERMISSION OF PHYLIRICH IS PROHIBITED.

| | | | | |
|-----------------------------|---------|---|---|-----------------------|
| - | - | INTERPRET GEOMETRIC DIMENSIONING & TOLERANCING IN ACCORDANCE WITH ASME Y14.5-2009 & ASME Y14.41-2003 STANDARDS, UNLESS OTHERWISE SPECIFIED. DIMENSIONS ARE IN INCHES. TOLERANCES ARE: | | |
| NEXT ASSY | USED ON | FRACTIONS ±1/16" | DECIMALS X.X: ±.1 X.XX: ±.01 X.XXX: ±.005 | ANGULAR ±2° |
| APPLICATION | | MATERIAL | NAME | DATE |
| FINISH | | DRAWN | CA | 5/30/2013 |
| DO NOT SCALE DRAWING | | CHECKED | | |

**SHOWER ITEM, VOLUME CONTROL/
 DIVERTER, BLADE, MIX**

| | | |
|------------------|---------------------------------|-----------------|
| SIZE A | ASM/PRT NO. 290-35/00 | REV A |
| SCALE: 1:1 | WEIGHT: lbs. | SHEET 1 OF 2 |