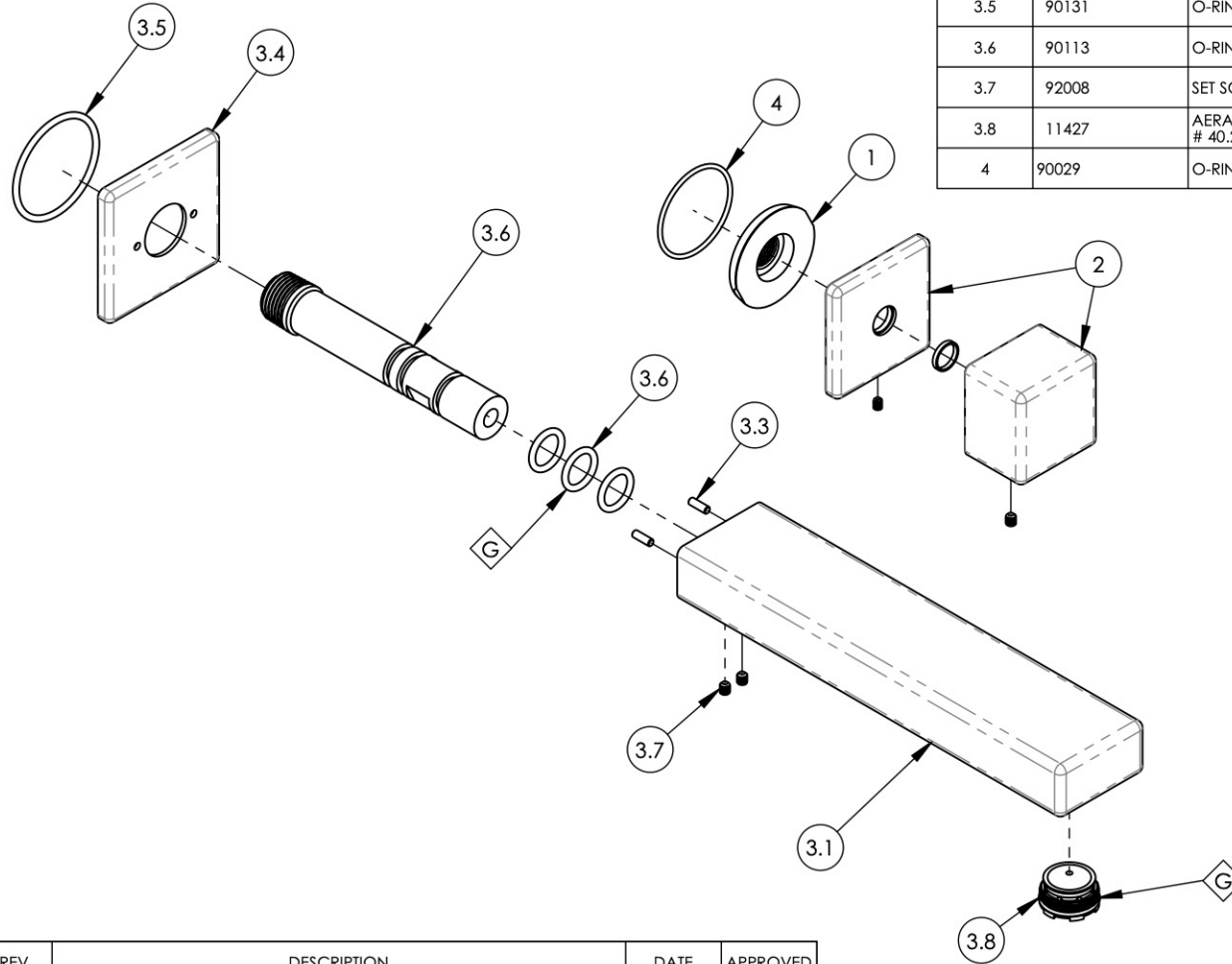


NOTE(S):

1. PART NUMBER, "/00" DENOTES PART SHALL HAVE FINISH.
2. APPLY NSF COMPLIANT GREASE TO ANY O-RING, SEALING JOINTS, AND/OR PIVOTAL POINTS.
3. APPLY NSF COMPLIANT LOCTITE TO THREADED AREA.
4. APPLY NSF COMPLIANT REMOVABLE (BLUE) LOCTITE TO THREADED AREA.
5. SILVER SOLDER JOINTS SHALL BE FULLY WETTED VIA CAPILLARY ACTION AND COMPLETELY NON-POROUS.



| ITEM NO. | PART NUMBER | DESCRIPTION | QTY. |
|----------|-------------|--|------|
| 1 | 11003 | SLEEVE MOUNT, WALL MT WIDESPREAD | 1 |
| 2 | 3-102/00 | ASSY, HANDLE CUBE MIX | 1 |
| 3 | 3-118/00 | SPOUT, WALL LAV, MIX | 1 |
| 3.1 | 11000/00 | SPOUT, WALL MOUNT, ROMAN TUB, MIX | 1 |
| 3.2 | 10013 | INJECTOR SHANK, 1/2"NPT MALE TO M16.5 CACHE W/ O-SEAL | 1 |
| 3.3 | 92158 | DOWEL PIN, 1/8" X 3/8"L | 2 |
| 3.4 | 10934/00 | ESCUTCHEON, SPOUT RT MIX SERIES | 1 |
| 3.5 | 90131 | O-RING, 1-11/16ID X 3/32THK, AS-568-131 | 1 |
| 3.6 | 90113 | O-RING, 9/16"ID X 3/4"OD X 3/32"THK, AS-568-113 | 3 |
| 3.7 | 92008 | SET SCREW, CUP POINT 8-32, 3/16" L. | 2 |
| 3.8 | 11427 | AERATOR, CACHE REG, PINK 1.2 GPM, M24X1.0, NEOPERL # 40.2360.010 | 1 |
| 4 | 90029 | O-RING, 1-5/8"ID X 1-3/4"OD X 1/16"THK, AS-568-029 | 1 |



| ZONE | REV. | DESCRIPTION | DATE | APPROVED |
|-----------|------|-------------|------|----------|
| REVISIONS | | | | |

1261 LOGAN AVENUE
COSTA MESA, CALIFORNIA 92626
PHONE: 714.361.4800
FAX: 714.617.3120

PHYLIRICH[®]
Defining Luxury Since 1959

PROPRIETARY AND CONFIDENTIAL
THE INFORMATION CONTAINED IN THIS DRAWING IS THE SOLE PROPERTY OF PHYLIRICH. ANY REPRODUCTION IN PART OR AS A WHOLE WITHOUT THE WRITTEN PERMISSION OF PHYLIRICH IS PROHIBITED.
DO NOT SCALE DRAWING

WALL LAV SET, SINGLE HANDLE, CUBE, MIX

| | | |
|------------------|--------------------------|--------------|
| SIZE A | ASM/PRT NO. 290-20/00 | REV - |
| SCALE: 1:3 | WEIGHT: lbs. | SHEET 1 OF 2 |