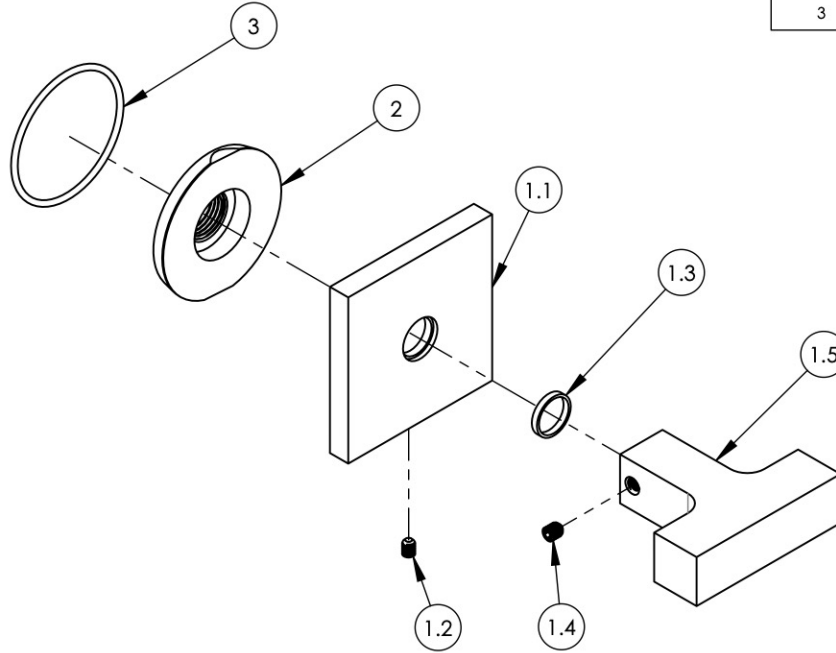


- NOTE(S):
 1. PART NUMBER, "/00" DENOTES PART SHALL HAVE FINISH.
 2. APPLY NSF-COMPLIANT GREASE TO ANY O-RING, SEALING JOINTS, AND/OR PIVOTAL POINTS.
 3. APPLY NSF-COMPLIANT LOCTITE TO THREADED AREA.
 4. APPLY NSF-COMPLIANT REMOVABLE (BLUE) LOCTITE TO THREADED AREA.
 5. SILVER SOLDER JOINTS SHALL BE FULLY WETTED VIA CAPILLARY ACTION AND COMPLETELY NON-POROUS.

- ◇ G
- ◇ L
- ◇ B
- ◇ S

ITEM NO.	PART NUMBER	DESCRIPTION	QTY.
1	3-799/00	ASSY, LEVER HANDLE, CROI SERIES	1
1.1	10937/00	ESCUTCHEON, HANDLE EDGE SERIES	1
1.2	92005	SET SCREW, CUP PT 6-32 UNC THREAD 3/16"L	1
1.3	92176	WEAR WASHER	1
1.4	92008	SET SCREW, CUP POINT 8-32, 3/16" L.	1
1.5	12298	LEVER HANDLE, CROI	1
2	11003	SLEEVE MOUNT, WALL MT WIDESPREAD	1
3	90029	O-RING, 1-5/8"ID X 1-3/4"OD X 1/16"THK, AS-568-029	1



REVISIONS				
ZONE	REV.	DESCRIPTION	DATE	APPROVED

1261 LOGAN AVENUE
 COSTA MESA, CALIFORNIA 92626
 PHONE: 714.361.4800
 FAX: 714.617.3120

PHYLIRICH[®]
 Defining Luxury Since 1959

PROPRIETARY AND CONFIDENTIAL
 THE INFORMATION CONTAINED IN THIS DRAWING IS THE SOLE PROPERTY OF PHYLIRICH. ANY REPRODUCTION IN PART OR AS A WHOLE WITHOUT THE WRITTEN PERMISSION OF PHYLIRICH IS PROHIBITED.
DO NOT SCALE DRAWING

SHOWER ITEM, VOLUME CONTROL/DIVERTER TRIM, CROI

SIZE A	ASM/PRT NO. 255-36/00	REV -
SCALE: 1:2	WEIGHT: lbs.	SHEET 1 OF 2