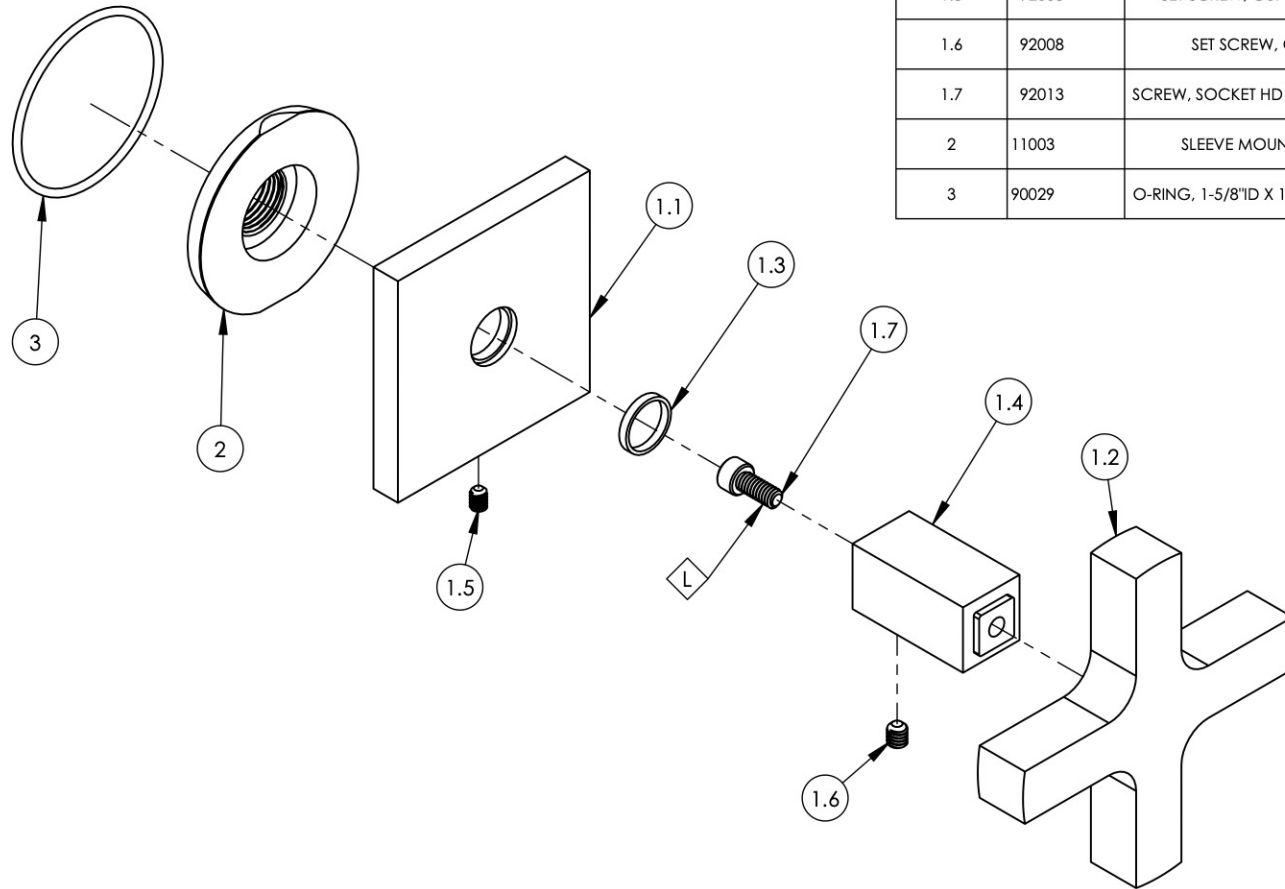


- NOTE(S):
 1. PART NUMBER, "/00" DENOTES PART SHALL HAVE FINISH.
 2. APPLY NSF COMPLIANT GREASE TO ANY O-RING, SEALING JOINTS, AND/OR PIVOTAL POINTS.
 3. APPLY NSF COMPLIANT LOCTITE TO THREADED AREA.
 4. APPLY NSF COMPLIANT REMOVABLE (BLUE) LOCTITE TO THREADED AREA.
 5. SILVER SOLDER JOINTS SHALL BE FULLY WETTED VIA CAPILLARY ACTION AND COMPLETELY NON-POROUS.



ITEM NO.	PART NUMBER	DESCRIPTION	QTY.
1	3-792	CROSS HANDLE, ESCUTCHEON, W/ SQUARE POST ASSY	1
1.1	10937/00	ESCUTCHEON, HANDLE EDGE SERIES	1
1.2	12300/00	HANDLE CROSS, CONTEMPORARY 16PT	1
1.3	92176	WEAR WASHER	1
1.4	12271	SQUARE POST MODERN HUB	1
1.5	92005	SET SCREW, CUP PT 6-32 UNC THREAD 3/16"L	1
1.6	92008	SET SCREW, CUP POINT 8-32, 3/16" L.	1
1.7	92013	SCREW, SOCKET HD CAP 8-32 THREAD, 3/8" LENGTH	1
2	11003	SLEEVE MOUNT, WALL MT WIDESPREAD	1
3	90029	O-RING, 1-5/8"ID X 1-3/4"OD X 1/16"THK, AS-568-029	1



REVISIONS				
ZONE	REV.	DESCRIPTION	DATE	APPROVED

1261 LOGAN AVENUE
 COSTA MESA, CALIFORNIA 92626
 PHONE: 714.361.4800
 FAX: 714.617.3120

PHYL RICH[®]
 Defining Luxury Since 1959

PROPRIETARY AND CONFIDENTIAL
 THE INFORMATION CONTAINED IN THIS DRAWING IS THE SOLE PROPERTY OF PHYL RICH. ANY REPRODUCTION IN PART OR AS A WHOLE WITHOUT THE WRITTEN PERMISSION OF PHYL RICH IS PROHIBITED.
DO NOT SCALE DRAWING

SHOWER ITEM, VOLUME CONTROL/DIVERTER, CROSS, CROI

SIZE A	ASM/PRT NO. 255-35/00	REV -
SCALE: 1:1.5	WEIGHT: lbs.	SHEET 1 OF 2