

NOTE(S):  
 1. PART NUMBER: "/00" DENOTES PART SHALL HAVE FINISH.

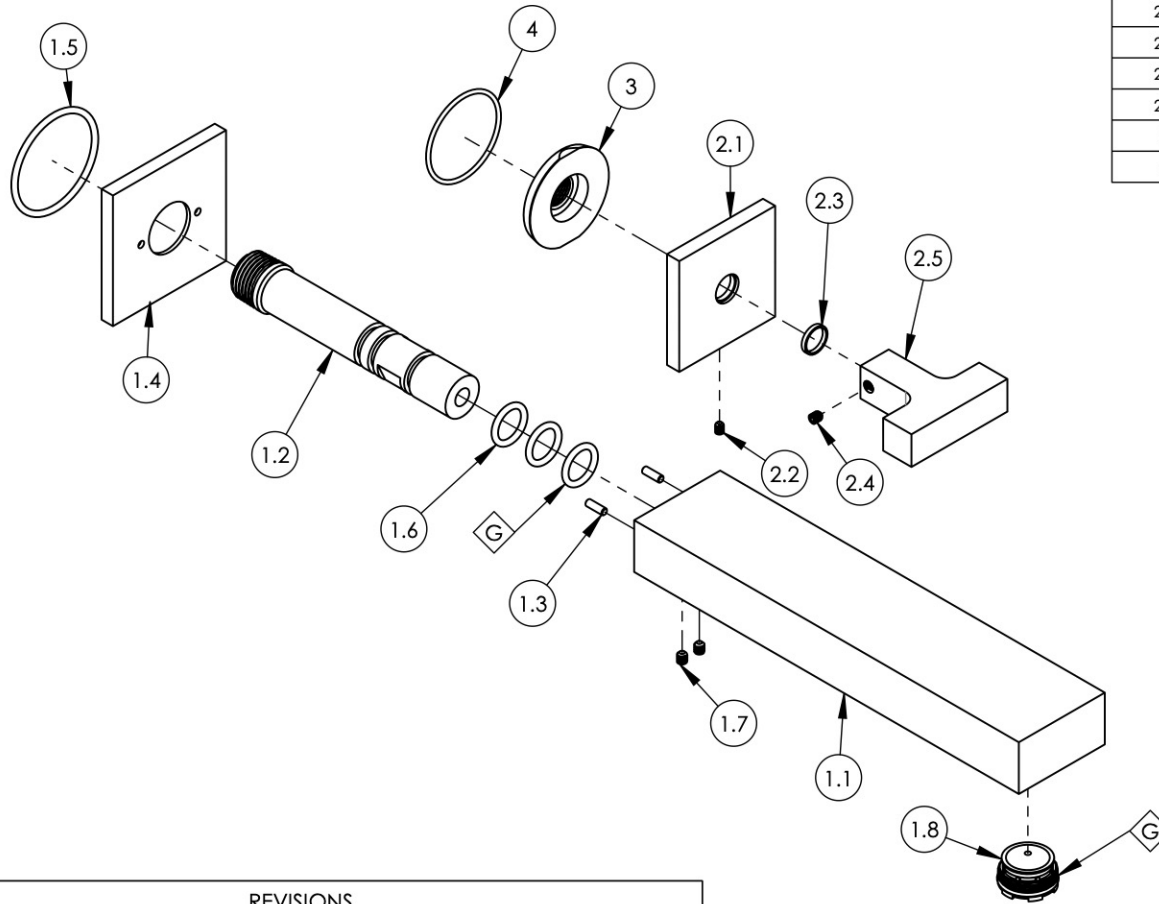
2. APPLY NSF COMPLIANT GREASE TO ANY O-RING, SEALING JOINTS, AND/OR PIVOTAL POINTS. G

3. APPLY NSF COMPLIANT LOCTITE TO THREADED AREA. L

4. APPLY NSF COMPLIANT REMOVABLE (BLUE) LOCTITE TO THREADED AREA. B

5. SILVER SOLDER JOINTS SHALL BE FULLY WETTED VIA-CAPILLARY ACTION AND COMPLETELY NON-POROUS. S

| ITEM NO. | PART NUMBER | DESCRIPTION  | QTY. |
|----------|-------------|--|------|
| 1        | 3-811/00    | SPOUT, WALL LAV, CROI  | 1    |
| 1.1      | 12330/00    | SPOUT, WALL MOUNT, ROMAN TUB, CROI                               | 1    |
| 1.2      | 10013       | INJECTOR SHANK, 1/2"NPT MALE TO M16.5 CACHE W/O-SEAL             | 1    |
| 1.3      | 92158       | DOWEL PIN, 1/8" X 3/8"L  | 2    |
| 1.4      | 10939/00    | ESCUTCHEON, WIDESPREAD   | 1    |
| 1.5      | 90131       | O-RING, 1-11/16ID X 3/32THK, AS-568-131                          | 1    |
| 1.6      | 90113       | O-RING, 9/16"ID X 3/4"OD X 3/32"THK, AS-568-113                  | 3    |
| 1.7      | 92008       | SET SCREW, CUP POINT 8-32, 3/16" L.                              | 2    |
| 1.8      | 11427       | AERATOR, CACHE REG, PINK 1.2 GPM, M24X1.0, NEOPERL # 40.2360.010 | 1    |
| 2        | 3-799/00    | ASSY, LEVER HANDLE, CROI SERIES                                  | 1    |
| 2.1      | 10937/00    | ESCUTCHEON, HANDLE EDGE SERIES                                   | 1    |
| 2.2      | 92005       | SET SCREW, CUP PT 6-32 UNC THREAD 3/16"L                         | 1    |
| 2.3      | 92176       | WEAR WASHER  | 1    |
| 2.4      | 92008       | SET SCREW, CUP POINT 8-32, 3/16" L.                              | 1    |
| 2.5      | 12298       | LEVER HANDLE, CROI   | 1    |
| 3        | 11003       | SLEEVE MOUNT, WALL MT WIDESPREAD                                 | 1    |
| 4        | 90029       | O-RING, 1-5/8"ID X 1-3/4"OD X 1/16"THK, AS-568-029               | 1    |



REVISIONS

| ZONE | REV. | DESCRIPTION | DATE | APPROVED |
|------|------|-------------|------|----------|
|------|------|-------------|------|----------|

1261 LOGAN AVENUE  
 COSTA MESA, CALIFORNIA 92626  
 PHONE: 714.361.4800  
 FAX: 714.617.3120

**PHYLIRICH**<sup>®</sup>  
 Defining Luxury Since 1959

**PROPRIETARY AND CONFIDENTIAL**  
 THE INFORMATION CONTAINED IN THIS DRAWING IS THE SOLE PROPERTY OF PHYLIRICH. ANY REPRODUCTION IN PART OR AS A WHOLE WITHOUT THE WRITTEN PERMISSION OF PHYLIRICH IS PROHIBITED.  
**DO NOT SCALE DRAWING**

WALL LAV SET, SINGLE LEVER, CROI

SIZE **A** ASM/PRT NO. 255-16/00 REV -

SCALE: 1:3 WEIGHT: lbs. SHEET 1 OF 2