

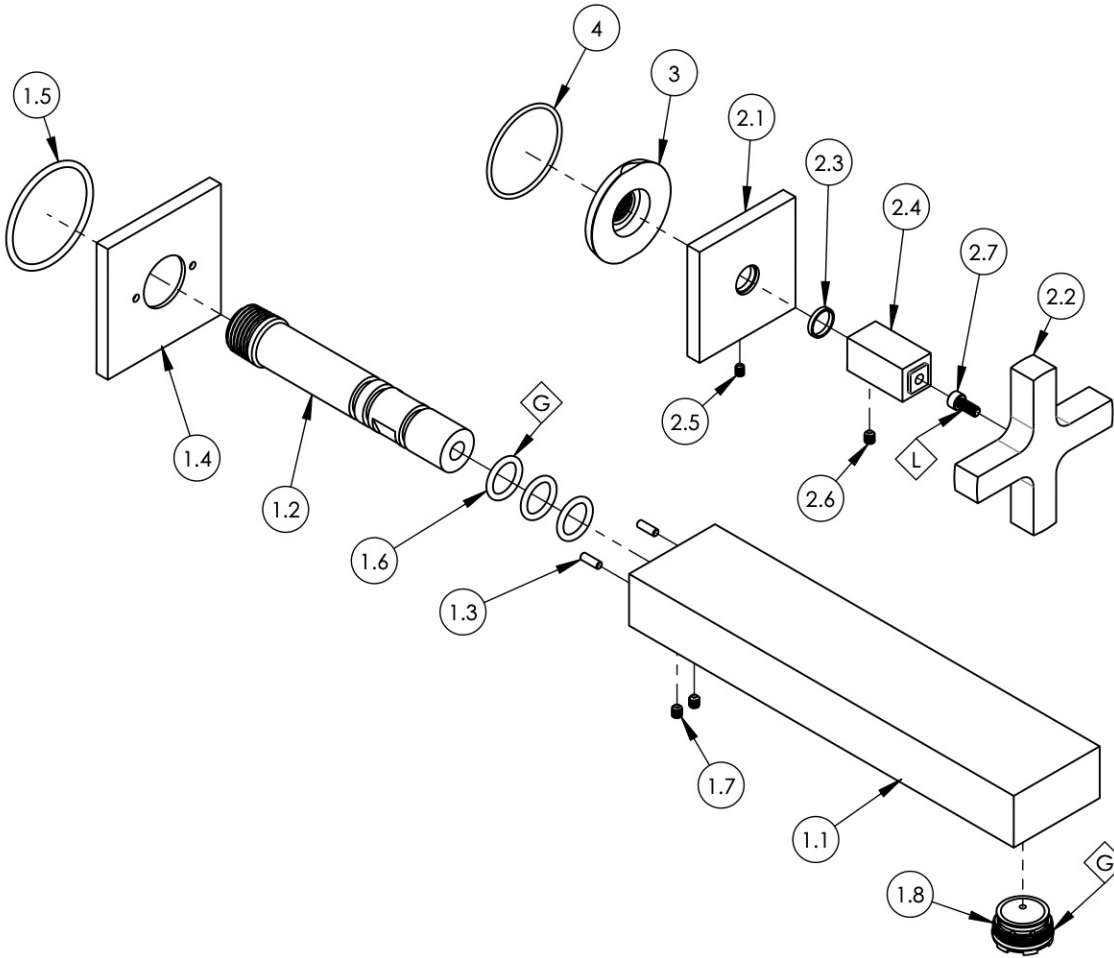
NOTE(S):  
1. PART NUMBER, "/00" DENOTES PART SHALL HAVE FINISH.

2. APPLY NSF COMPLIANT GREASE TO ANY O-RING, SEALING JOINTS, AND/OR PIVOTAL POINTS.

3. APPLY NSF COMPLIANT LOCTITE TO THREADED AREA.

4. APPLY NSF COMPLIANT REMOVABLE (BLUE) LOCTITE TO THREADED AREA.

5. SILVER SOLDER JOINTS SHALL BE FULLY WETTED VIA CAPILLARY ACTION AND COMPLETELY NON-POROUS.



ITEM NO.	PART NUMBER	DESCRIPTION	QTY.
1	3-811/00	SPOUT, WALL LAV, CROI	1
1.1	12330/00	SPOUT, WALL MOUNT, ROMAN TUB, CROI	1
1.2	10013	INJECTOR SHANK, 1/2"NPT MALE TO M16.5 CACHE W/ O-SEAL	1
1.3	92158	DOWEL PIN, 1/8" X 3/8"L	2
1.4	10939/00	ESCUTCHEON, WIDESPREAD	1
1.5	90131	O-RING, 1-11/16ID X 3/32THK, AS-568-131	1
1.6	90113	O-RING, 9/16"ID X 3/4"OD X 3/32"THK, AS-568-113	3
1.7	92008	SET SCREW, CUP POINT 8-32, 3/16" L.	2
1.8	11427	AERATOR, CACHE REG, PINK 1.2 GPM, M24X1.0, NEOPERL # 40.2360.010	1
2	3-792	ASSY, CROSS HANDLE, SQUARE POST, CROI	1
2.1	10937/00	ESCUTCHEON, HANDLE EDGE SERIES	1
2.2	12300/00	HANDLE CROSS, CONTEMPORARY 16PT	1
2.3	92176	WEAR WASHER	1
2.4	12271	SQUARE POST MODERN HUB	1
2.5	92005	SET SCREW, CUP PT 6-32 UNC THREAD 3/16"L	1
2.6	92008	SET SCREW, CUP POINT 8-32, 3/16" L.	1
2.7	92013	SCREW, SOCKET HD CAP 8-32 THREAD, 3/8" LENGTH	1
3	11003	SLEEVE MOUNT, WALL MT WIDESPREAD	1
4	90029	O-RING, 1-5/8"ID X 1-3/4"OD X 1/16"THK, AS-568-029	1

REVISIONS

ZONE	REV.	DESCRIPTION	DATE	APPROVED

1261 LOGAN AVENUE  
COSTA MESA, CALIFORNIA 92626  
PHONE: 714.361.4800  
FAX: 714.617.3120

**PHYLIRICH**<sup>®</sup>  
Defining Luxury Since 1959

**PROPRIETARY AND CONFIDENTIAL**  
THE INFORMATION CONTAINED IN THIS DRAWING IS THE SOLE PROPERTY OF PHYLIRICH. ANY REPRODUCTION IN PART OR AS A WHOLE WITHOUT THE WRITTEN PERMISSION OF PHYLIRICH IS PROHIBITED.  
**DO NOT SCALE DRAWING**

WALL LAV SET, CROSS, CROI

SIZE <b>A</b>	ASM/PRT NO. 255-15/00	REV -
SCALE: 1:3	WEIGHT: lbs.	SHEET 1 OF 2