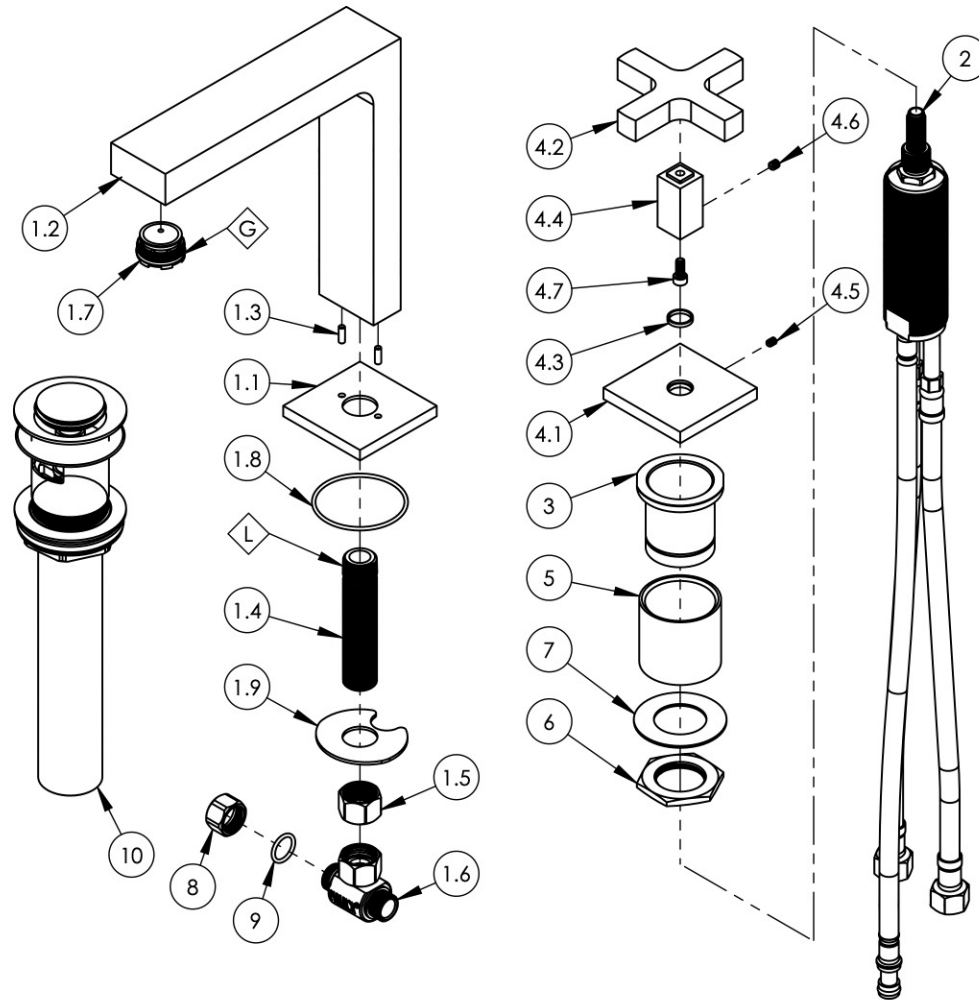


- NOTE(S):
- PART NUMBER, "/00" DENOTES PART SHALL HAVE FINISH.
 - APPLY NSF COMPLIANT GREASE TO ANY O-RING, SEALING JOINTS, AND/OR PIVOTAL POINTS.
 - APPLY NSF COMPLIANT LOCTITE TO THREADED AREA.
 - APPLY NSF COMPLIANT REMOVABLE (BLUE) LOCTITE TO THREADED AREA.
 - SILVER SOLDER JOINTS SHALL BE FULLY WETTED VIA CAPILLARY ACTION AND COMPLETELY NON-POROUS.



| ITEM NO. | PART NUMBER | DESCRIPTION | QTY. |
|----------|-------------|--|------|
| 1 | 3-809/00 | ASSY, SPOUT WIDESPREAD LAV HARD EDGES, HIGH, CROI | 1 |
| 1.1 | 10938/00 | ESCUTCHEON, SPOUT LAV EDGE SERIES | 1 |
| 1.2 | 12328/00 | SPOUT, WIDESPREAD LAV, HIGH HARD EDGES, CROI | 1 |
| 1.3 | 92158 | DOWEL PIN, 1/8" X 3/8"L | 2 |
| 1.4 | 10745 | THREAD ALL, 3/8"-18 NPSL - 3/8"NPT | 1 |
| 1.5 | 10746 | NUT, 3/8"-18 NPSL | 1 |
| 1.6 | 1-112 | TEE VALVE, 3/8" NPSM X 3/8" COMPRESSION | 1 |
| 1.7 | 11427 | AERATOR, CACHE REG, PINK 1.2 GPM, M24X1.0, NEOPERL # 40.2360.010 | 1 |
| 1.8 | 90031 | O-RING, 1-3/4"ID X 1/16"THK, AS-568-031 | 1 |
| 1.9 | 92174 | WASHER MOUNT WIDESPREAD (3/8") | 1 |
| 2 | 1-055 | VALVE, DECK MOUNTED SINGLE HANDLE KITCHEN DROP-IN | 1 |
| 3 | 11077 | SLEEVE MOUNT, DECK (ROMAN) TUB | 1 |
| 4 | 3-792 | ASSY, CROSS HANDLE, SQUARE POST, CROI | 1 |
| 4.1 | 10937/00 | ESCUTCHEON, HANDLE EDGE SERIES | 1 |
| 4.2 | 12300/00 | HANDLE CROSS, CONTEMPORARY 16PT | 1 |
| 4.3 | 92176 | WEAR WASHER | 1 |
| 4.4 | 12271 | SQUARE POST MODERN HUB | 1 |
| 4.5 | 92005 | SET SCREW, CUP PT 6-32 UNC THREAD 3/16"L | 1 |
| 4.6 | 92008 | SET SCREW, CUP POINT 8-32, 3/16" L. | 1 |
| 4.7 | 92013 | SCREW, SOCKET HD CAP 8-32 THREAD, 3/8" LENGTH | 1 |
| 5 | 92180 | EXTENSION SLEEVE, WIDESPREAD | 1 |
| 6 | 92251 | HEX NUT, 1"-20 THREAD | 1 |
| 7 | 92252 | WASHER, 1-1/32" ID 1-13/16" OD | 1 |
| 8 | 92492 | CAP NUT, 3/8" COMPRESSION | 1 |
| 9 | 90014 | O-RING, 1/2"ID X 5/8"OD X 1/16"THK, AS-568-014 | 1 |
| 10 | 3-545/00 | BRASS PUSH TYPE DRAIN, W/ OVERFLOW & SMALL PLUG | 1 |

REVISIONS

| ZONE | REV. | DESCRIPTION | DATE | APPROVED |
|------|------|-------------|------|----------|
|------|------|-------------|------|----------|

1261 LOGAN AVENUE
COSTA MESA, CALIFORNIA 92626
PHONE: 714.361.4800
FAX: 714.617.3120

PHYLIRICH[®]
Defining Luxury Since 1959

PROPRIETARY AND CONFIDENTIAL
THE INFORMATION CONTAINED IN THIS DRAWING IS THE SOLE PROPERTY OF PHYLIRICH. ANY REPRODUCTION IN PART OR AS A WHOLE WITHOUT THE WRITTEN PERMISSION OF PHYLIRICH IS PROHIBITED.
DO NOT SCALE DRAWING

WIDESPREAD LAV, HIGH SPOUT W/
SINGLE CROSS, CROI

| | | |
|------------------|--------------------------|--------------|
| SIZE A | ASM/PRT NO. 255-04/00 | REV |
| SCALE: 1:3.75 | WEIGHT: lbs. | SHEET 1 OF 2 |