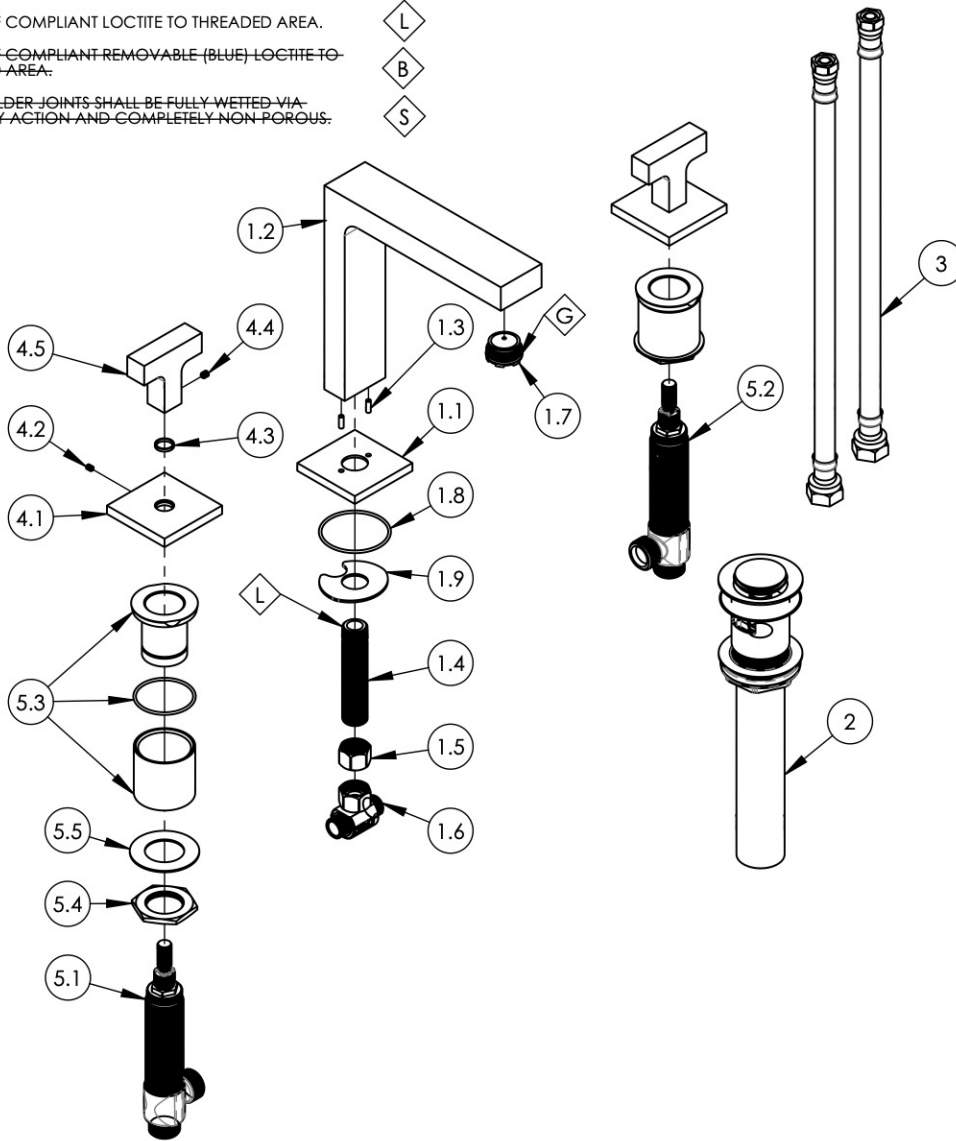


NOTE(S):

1. PART NUMBER, "/00" DENOTES PART SHALL HAVE FINISH.
2. APPLY NSF COMPLIANT GREASE TO ANY O-RING, SEALING JOINTS, AND/OR PIVOTAL POINTS. G
3. APPLY NSF COMPLIANT LOCTITE TO THREADED AREA. L
4. APPLY NSF COMPLIANT REMOVABLE (BLUE) LOCTITE TO THREADED AREA. B
5. SILVER SOLDER JOINTS SHALL BE FULLY WETTED VIA CAPILLARY ACTION AND COMPLETELY NON-POROUS. S



ITEM NO.	PART NUMBER	DESCRIPTION	QTY.
1	3-809/00	ASSY, SPOUT WIDESPREAD LAV HARD EDGES, HIGH, CROI	1
1.1	10938/00	ESCUTCHEON, SPOUT LAV EDGE SERIES	1
1.2	12328/00	SPOUT, WIDESPREAD LAV, HIGH HARD EDGES, CROI	1
1.3	92158	DOWEL PIN, 1/8" X 3/8"L	2
1.4	10745	THREAD ALL, 3/8"-18 NPSL - 3/8"NPT	1
1.5	10746	NUT, 3/8"-18 NPSL	1
1.6	1-112	TEE VALVE, 3/8" NPSM X 3/8" COMPRESSION	1
1.7	11427	AERATOR, CACHE REG, PINK 1.2 GPM, M24X1.0, NEOPERL # 40.2360.010	1
1.8	90031	O-RING, 1-3/4"ID X 1/16"THK, AS-568-031	1
1.9	92174	WASHER MOUNT WIDESPREAD (3/8")	1
2	3-545/00	BRASS PUSH TYPE DRAIN, W/ OVERFLOW & SMALL PLUG	1
3	10982	HOSE, 3/8" COMP. X 1/2" NPSM - 12"L	2
4	3-799/00	ASSY, LEVER HANDLE, CROI SERIES	2
4.1	10937/00	ESCUTCHEON, HANDLE EDGE SERIES	1
4.2	92005	SET SCREW, CUP PT 6-32 UNC THREAD 3/16"L	1
4.3	92176	WEAR WASHER	1
4.4	92008	SET SCREW, CUP POINT 8-32, 3/16" L.	1
4.5	12298/00	LEVER HANDLE, CROI	1
5	1-700	WIDESPREAD VALVE 16PT. HOT & COLD, W/ FLUSH MOUNTING KITS	1
5.1	1-149	WIDESPREAD VALVE LAV 16PT, HOT, ONLY	1
5.2	1-150	WIDESPREAD VALVE LAV 16PT, COLD, ONLY	1
5.3	2-410	RECESSED FLUSHED MOUNTING KIT FOR WIDESPREAD W/O WASHER/NUT	2
5.4	92251	HEX NUT, 1"-20 THREAD	2
5.5	92252	WASHER, 1-1/32" ID 1-13/16" OD	2

1261 LOGAN AVENUE
COSTA MESA, CALIFORNIA 92626
PHONE: 714.361.4800
FAX: 714.617.3120

PHYLIRICH[®]
Defining Luxury Since 1959

PROPRIETARY AND CONFIDENTIAL
THE INFORMATION CONTAINED IN THIS DRAWING IS THE SOLE PROPERTY OF PHYLIRICH. ANY REPRODUCTION IN PART OR AS A WHOLE WITHOUT THE WRITTEN PERMISSION OF PHYLIRICH IS PROHIBITED.
DO NOT SCALE DRAWING

WIDESPREAD, HIGH SPOUT W/ LEVER HANDLE, CROI

SIZE A	ASM/PRT NO. 255-02/00	REV
SCALE: 1:5	WEIGHT: lbs.	SHEET 1 OF 2